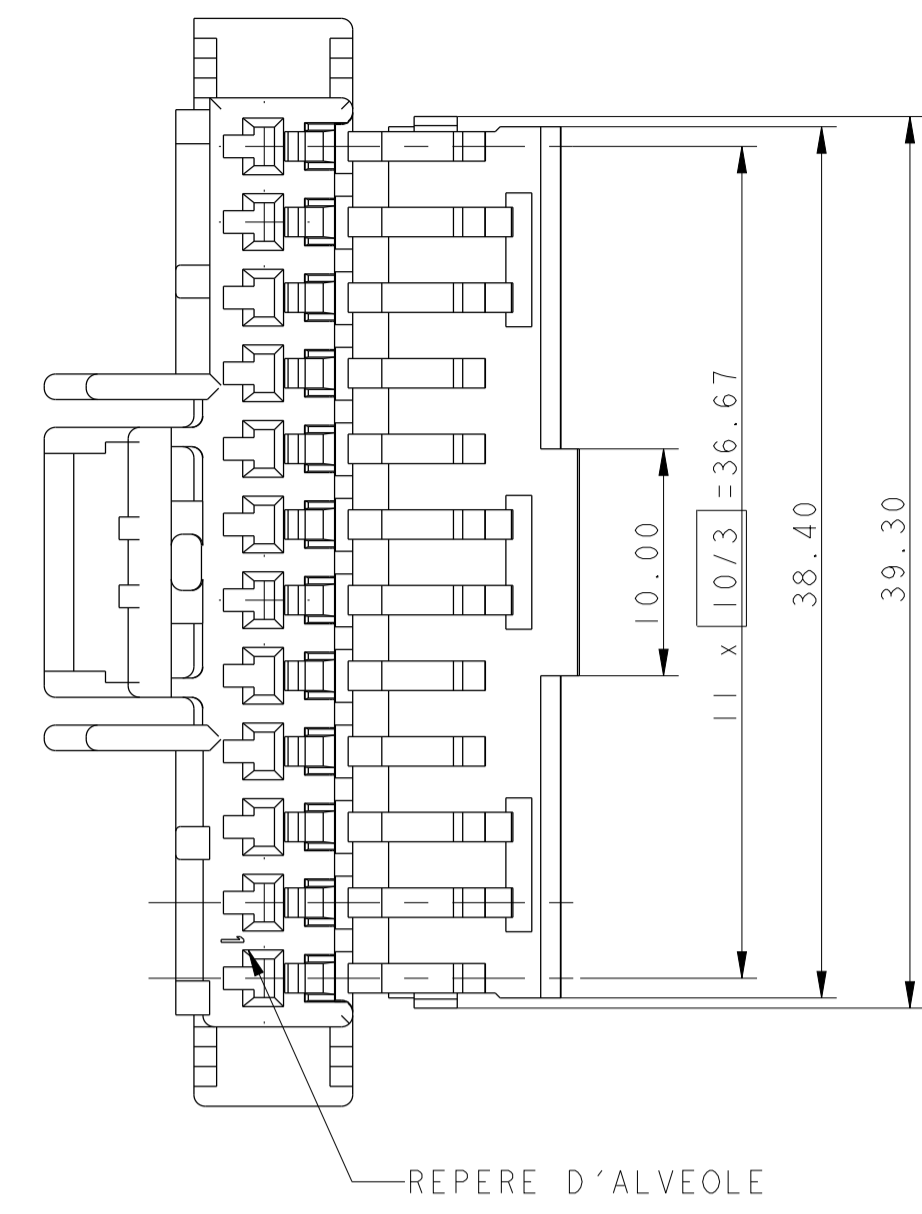
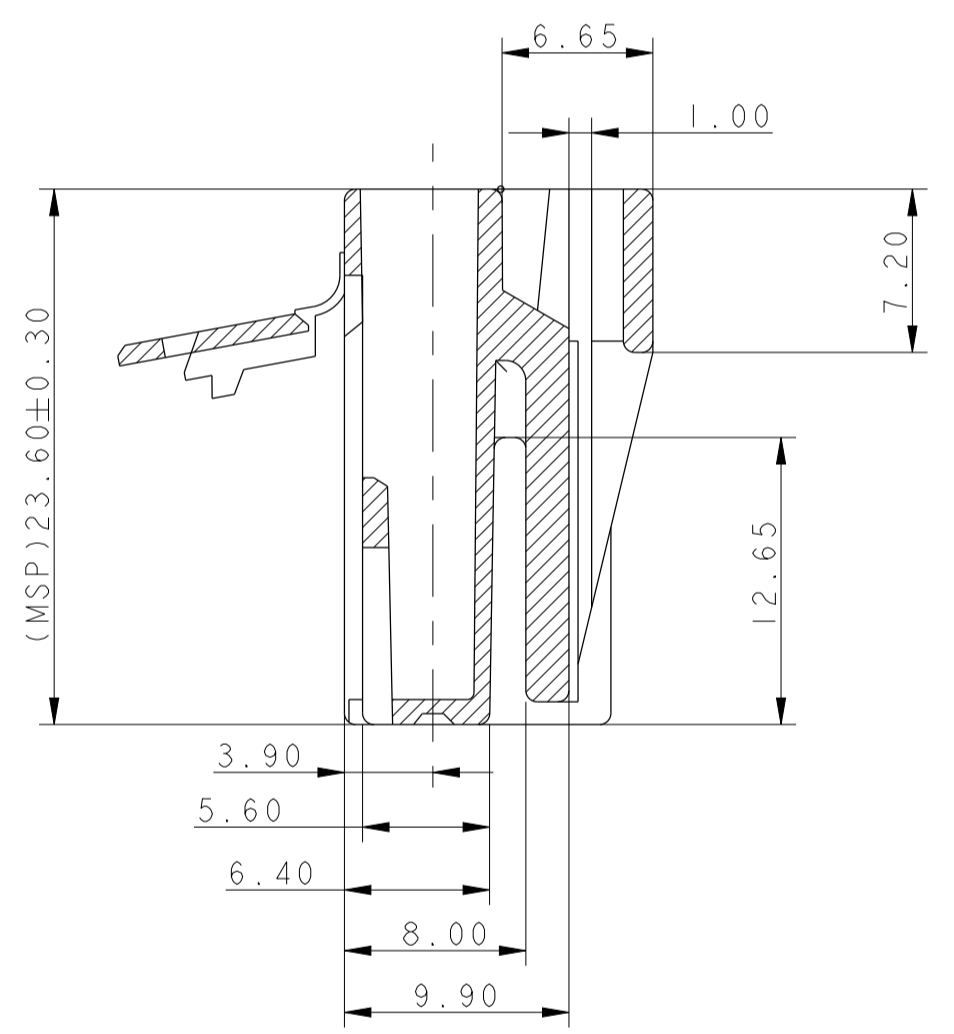


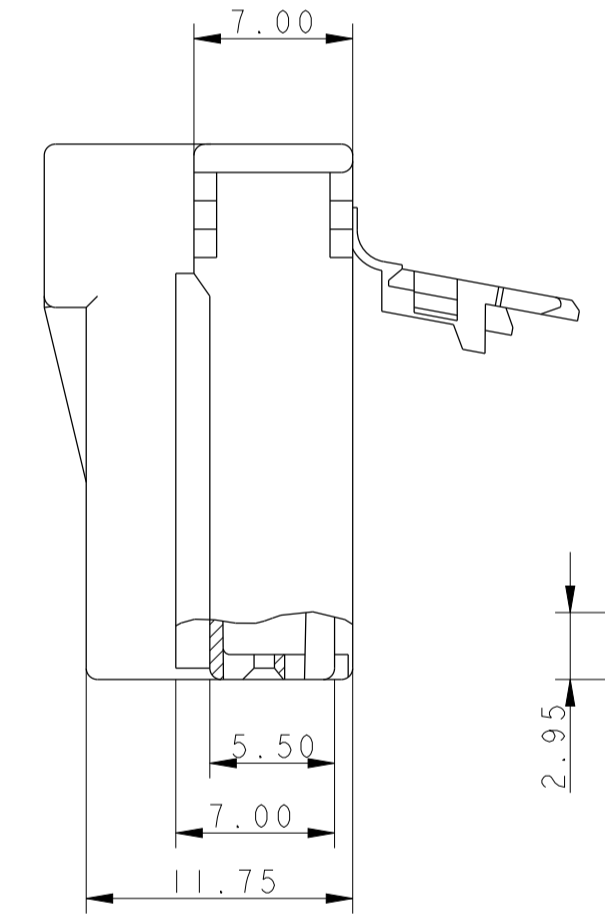
	Marron 2	211 PC 12 2 S 1 017	B	13633186	01
	Gris 3	211 PC 12 2 S 8 017	B	10811781	01
	Noir 4	211 PC 12 2 S 0 017	B	10811782	01
COUPE P-P ECHELLE 1:1	Couleur	Ref.	Rev.	Ref.	Rev.
		MVL		DELPHI	



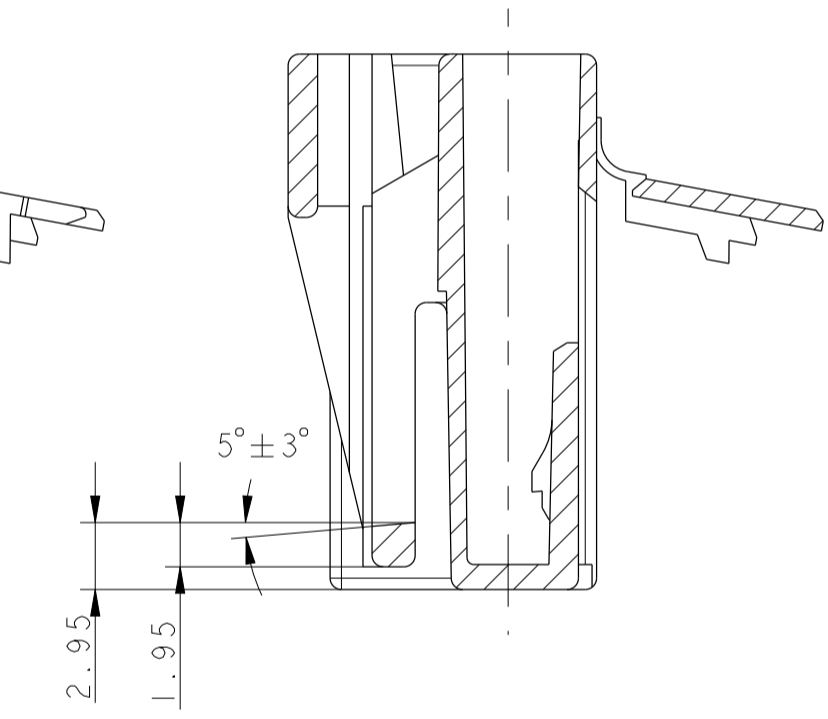
COUPE B-B



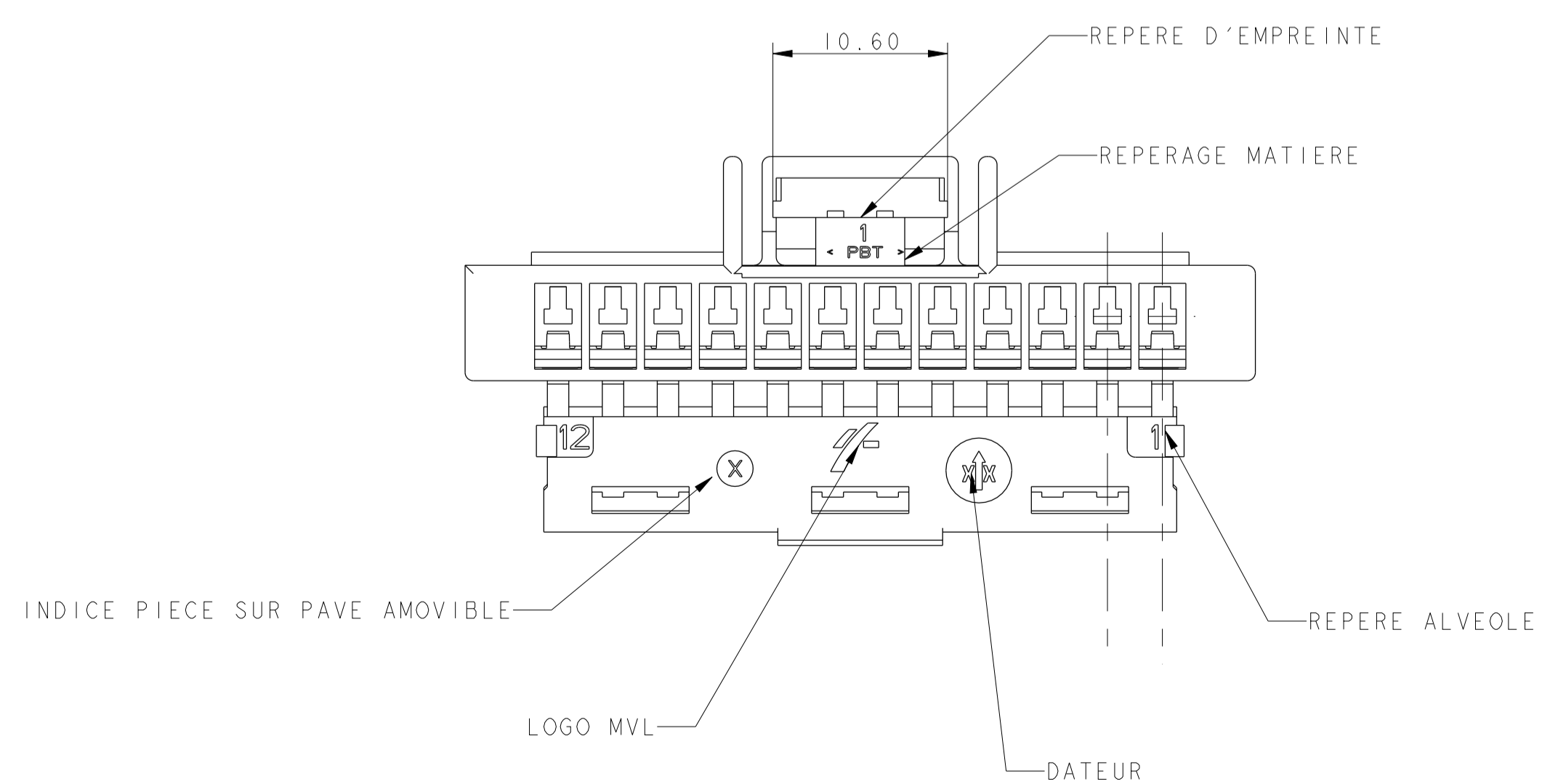
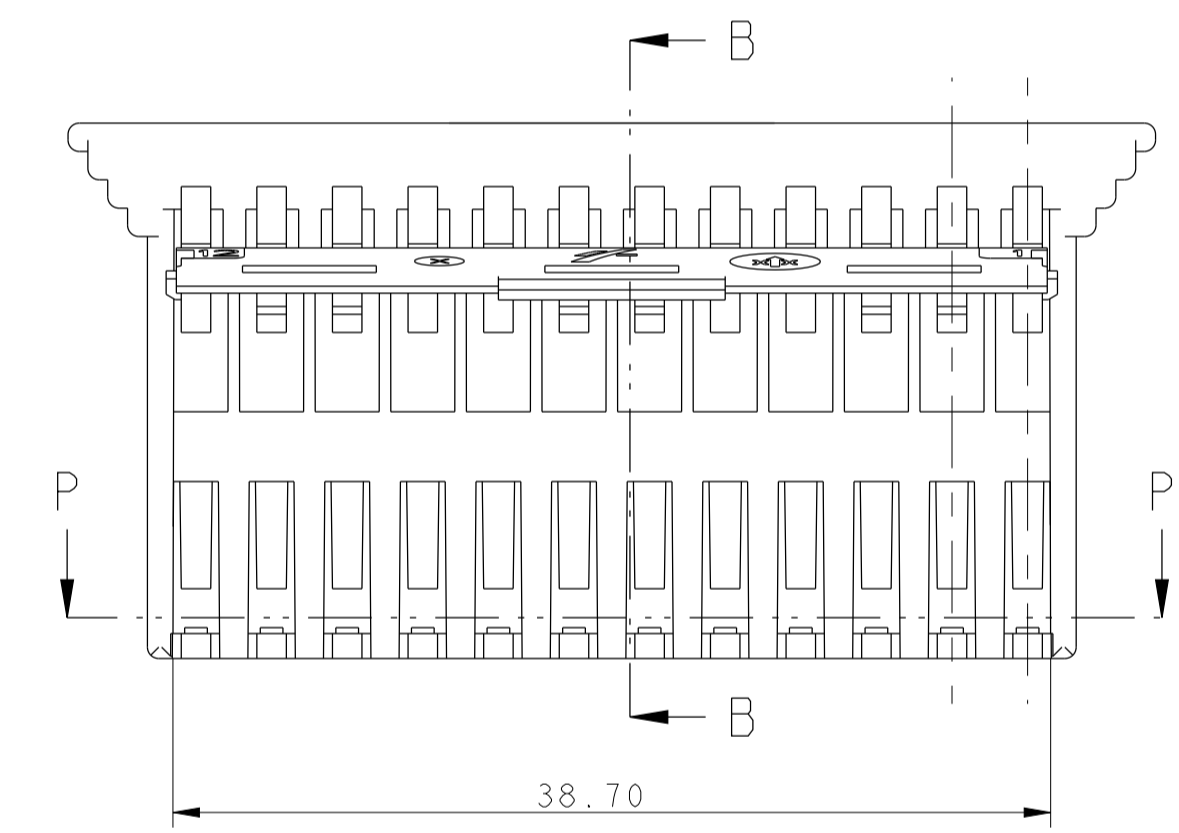
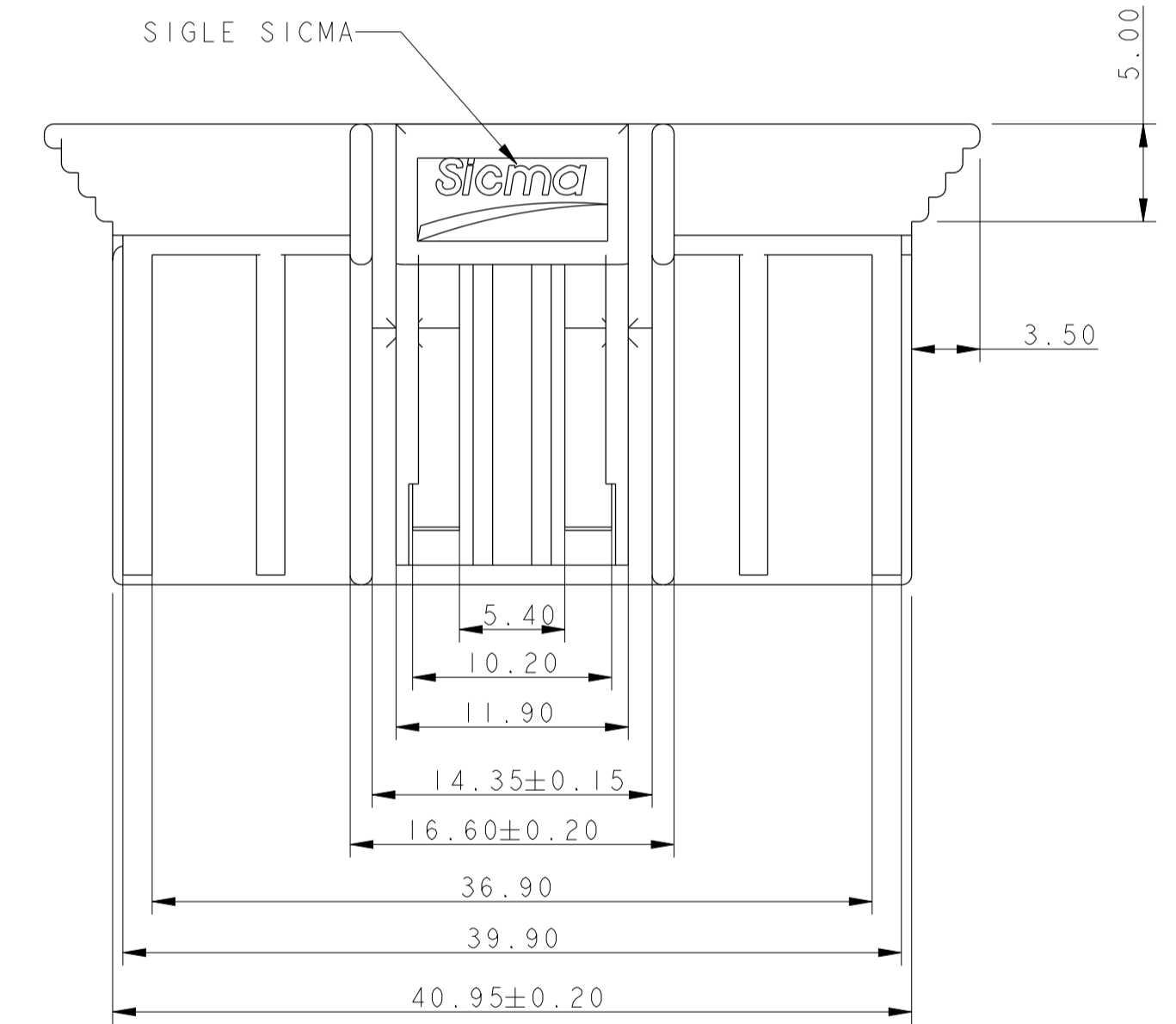
COUPE E-E



SECTION U-U



SIGLE SICMA



ECN-NO. / POSITION		CHANGE DESCRIPTION / MODIFICATION	
- / -		DELPHI P/N ADDED	
PROJECT SPEC. / SPECIF. PRODUIT	PACKAGING SPEC. / SPECIF. EMBALLAGE	APPLICATION SPEC. / SPECIF. APPLICATION	COPYRIGHT DELPHI CORPORATION AND/OR ITS AFFILIATES. ALL RIGHTS RESERVED. REVISED 1998. THIS DRAWING IS THE PROPERTY OF DELPHI CORPORATION AND CONTAINS DELPHI CONFIDENTIAL INFORMATION. THE REPRODUCTION, DISTRIBUTION AND SALE OF THIS DRAWING IS PROHIBITED WITHOUT EXPRESS AUTHORIZATION. LE DROIT DE PROPRIÉTÉ DE DELPHI CORPORATION ET/OU DE SES AFFILIÉS EST RÉSERVÉ. CE DOCUMENT CONTIEN DES RENSEIGNEMENTS CONFIDENTIELS DE DELPHI. LA RÉPRODUCTION, LA DISTRIBUTION ET LA VENTE DE CE DOCUMENT SONT INTERDITES SANS AUTORISATION ÉCRITE. EST INTERDIT.
TOLERANCES / TOLERANCES	±0.2 ±0.2	MATERIAL / MATIERE	PBT
CONTRIBUTOR / CONTRIBUTEUR		COLOUR / COULEUR	SEE TABLE
DO NOT MEASURE DRAWING / NE PAS MESURER LE DROIT		ISO PROJECTION / PROJECTION ISO	ECO Exp. Code / CODE M. C.
DATE	NAME	TITLE	DESIGNATION
		15X08	
CREATED BY / CRÉÉ PAR	20150103	TECHNIEN	PROJECT / PROJET
APPROVED BY / APPR. PAR	20150103	12 WAYS FEMALE HOUSING	12 WAYS FEMALE HOUSING
FILE NAME / NOM DE FICHER	211FT0459		
DRAWING NUMBER / REF. PLAN		SERIAL RELEASED	
211FT0459		See Table	

EUR C04 112 F29

# Mouser Electronics

Authorized Distributor

Click to View Pricing, Inventory, Delivery & Lifecycle Information:

[Aptiv:](#)

[211PC122S1017](#)