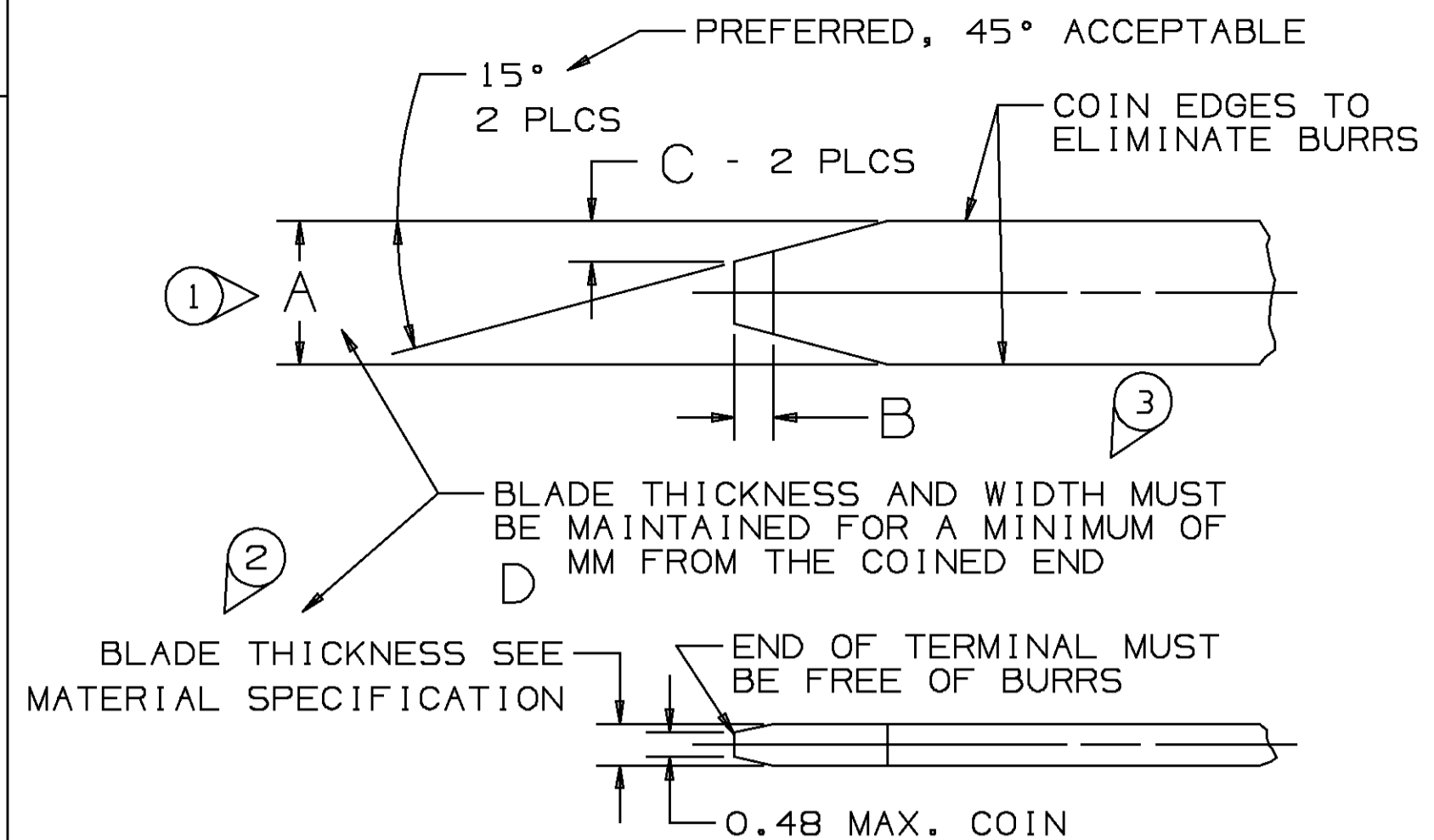


DO NOT SCALE



SERIES	A	B	C	D
	±0.10	±0.15		MIN
150	1.50	1.00	0.5±0.1	7.40
280	2.80	0.76±0.25	0.8±0.3	8.90

MATERIAL SPECIFICATIONS

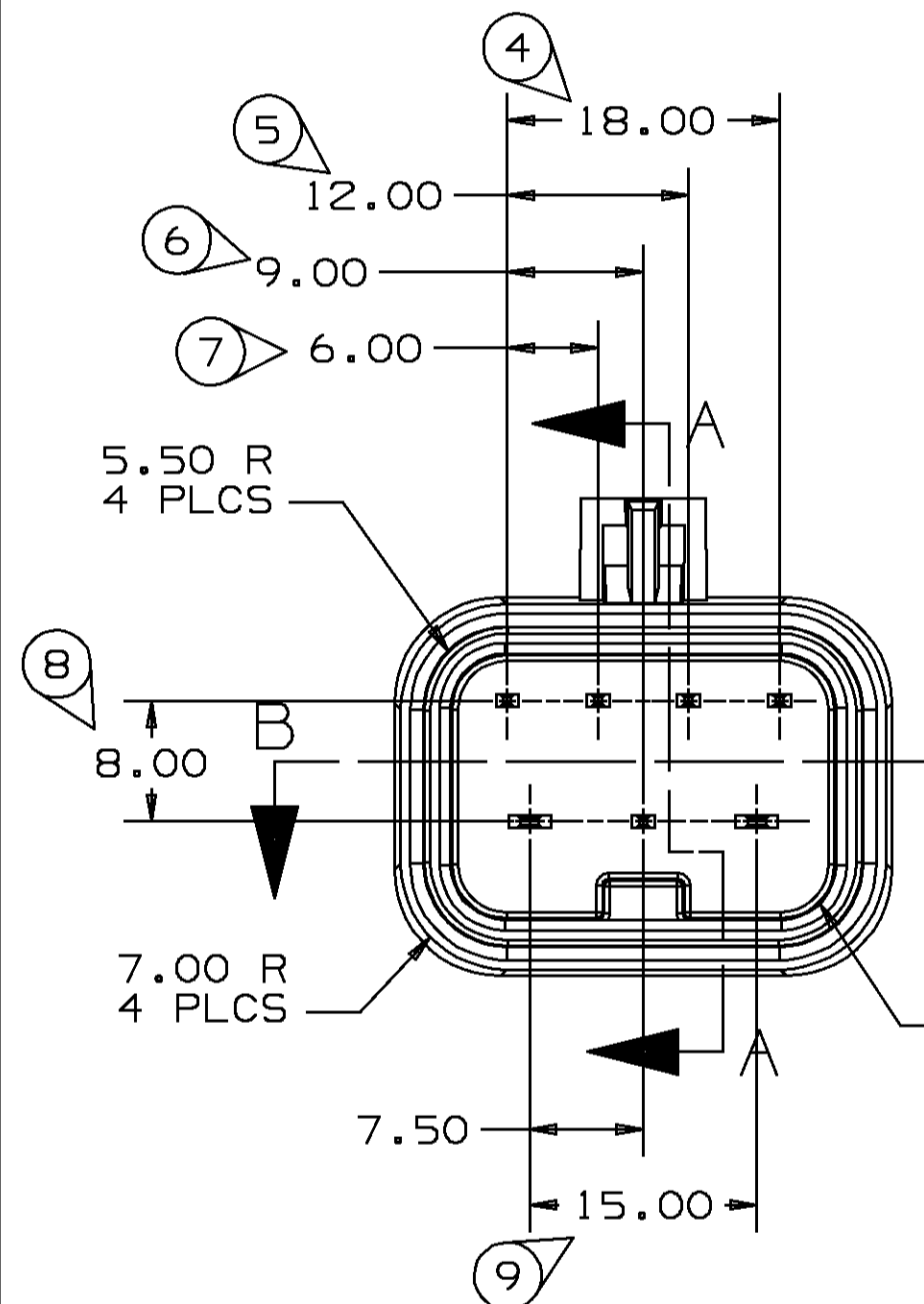
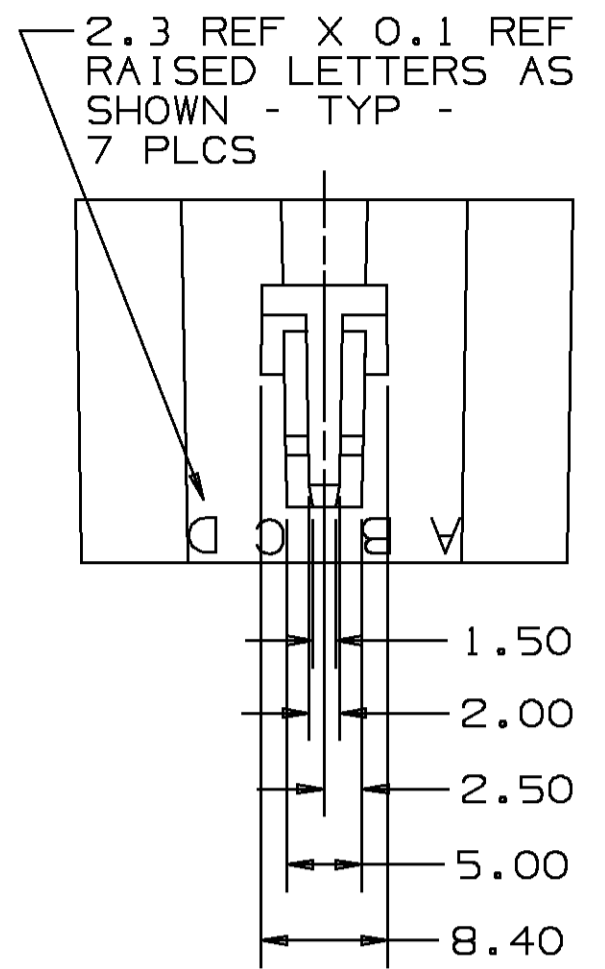
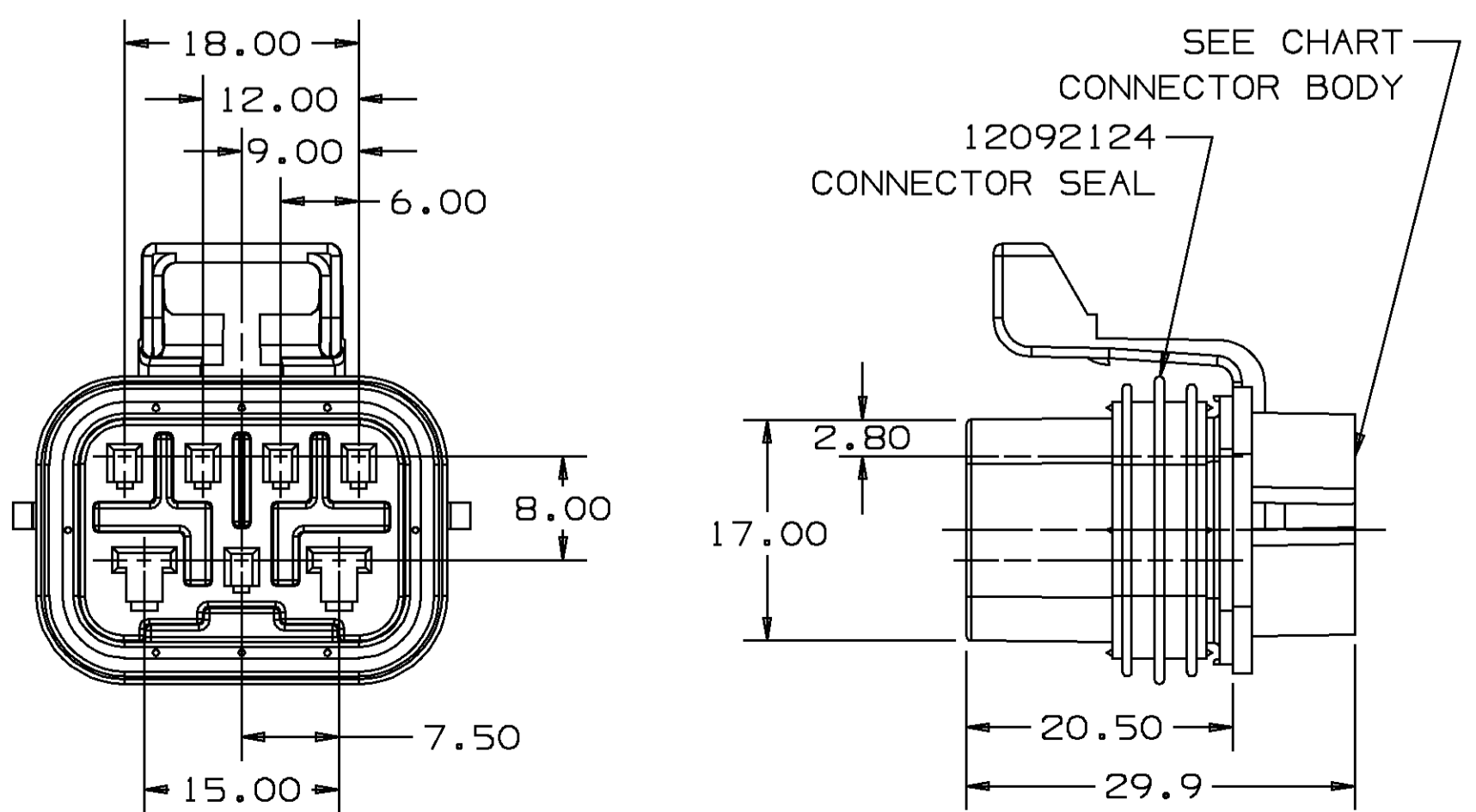
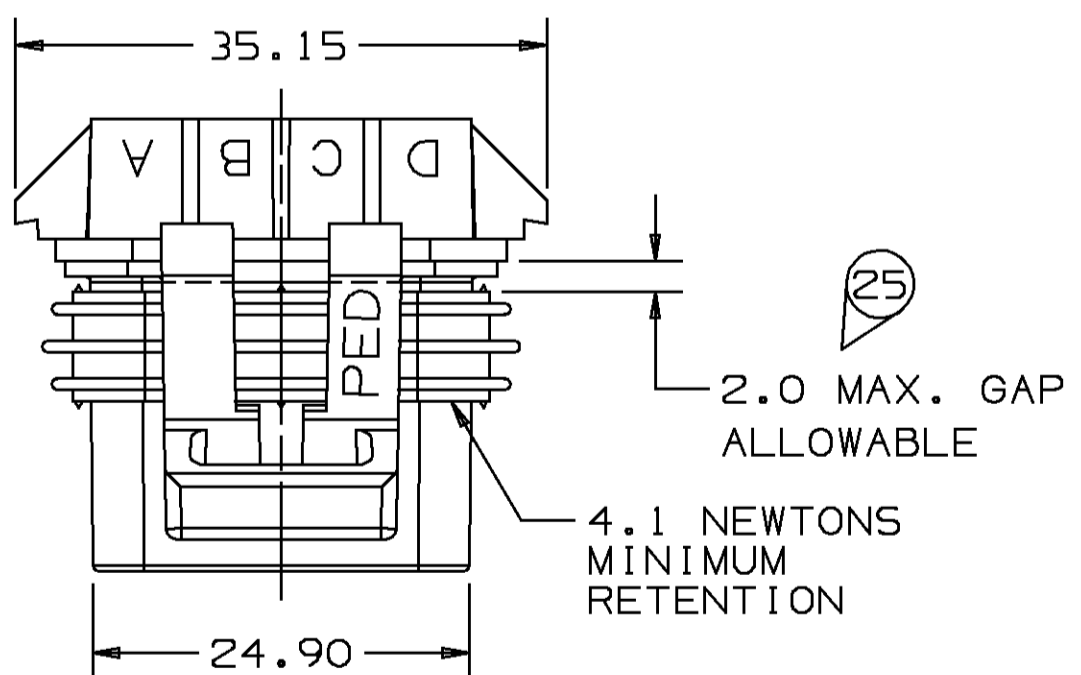
RECOMMENDED :
BASE METAL - CDA-210, GILDING, EXTRA SPRING TEMPER.
PLATING - 0.0050±0.0025 MM THICK TIN.

MINIMUMS :
ELECTRICAL CONDUCTIVITY - ≥20% IACS AT 20°C. USE OF A MATERIAL WITH CONDUCTIVITY < 20% IACS MUST BE APPROVED BY PACKARD ELECTRIC MATERIALS ENGINEERING.
TENSILE STRENGTH - 407 MPa.
PLATING - FOR LOW ENERGY (≤5V) AND NON-PASSENGER COMPARTMENT POWER CIRCUITS, 0.0050±0.0025 MM THICK TIN. FOR MATERIALS CONTAINING 10% OR MORE ZINC, AN UNDERPLATE OF COPPER 0.0050±0.0025 MM THICK IS REQUIRED.

BLADE THICKNESS
 UNPLATED = 0.813 ± 0.025
 TIN PLATED = 0.823 ± 0.030

MATING BLADE INFORMATION

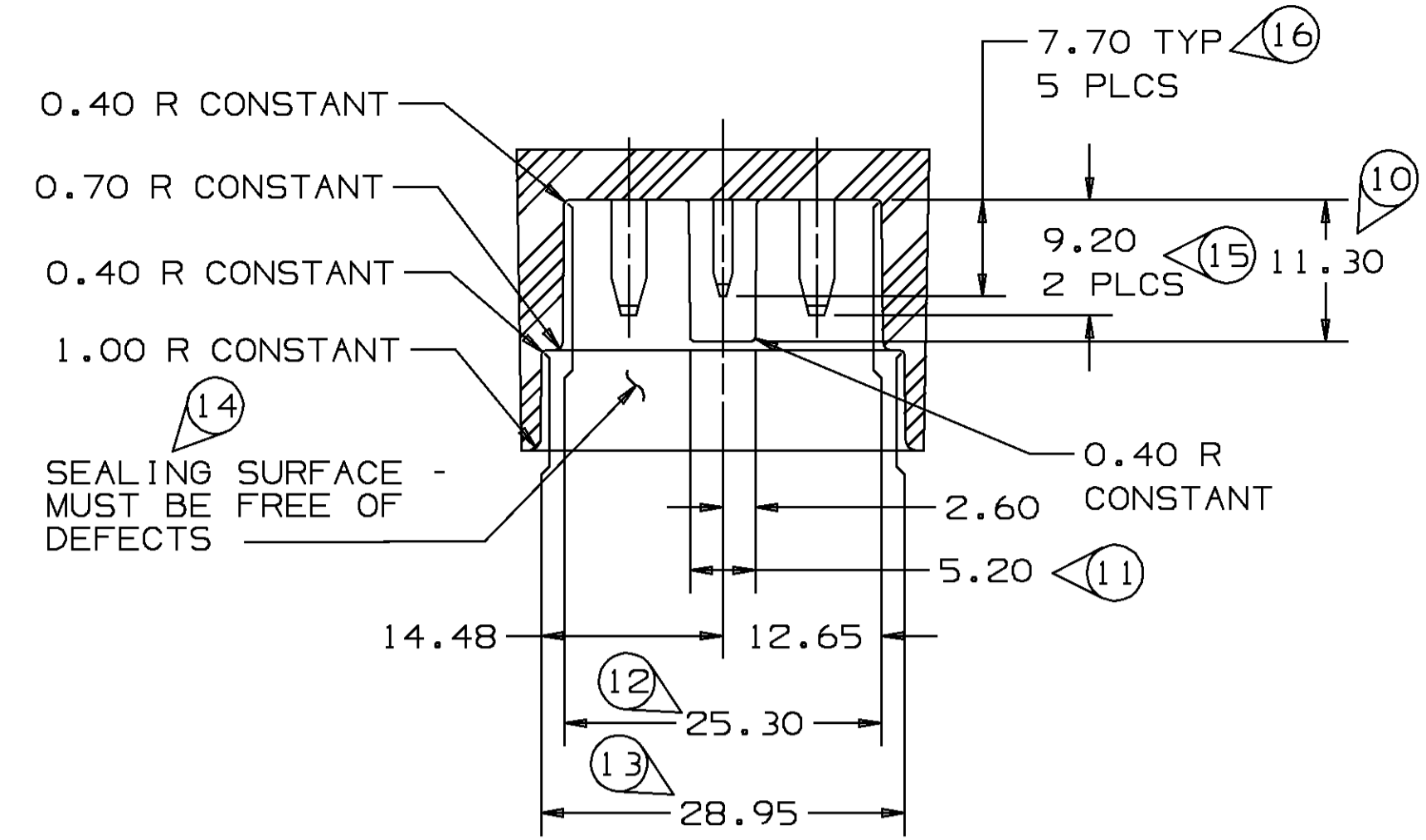
SCALE 8:1



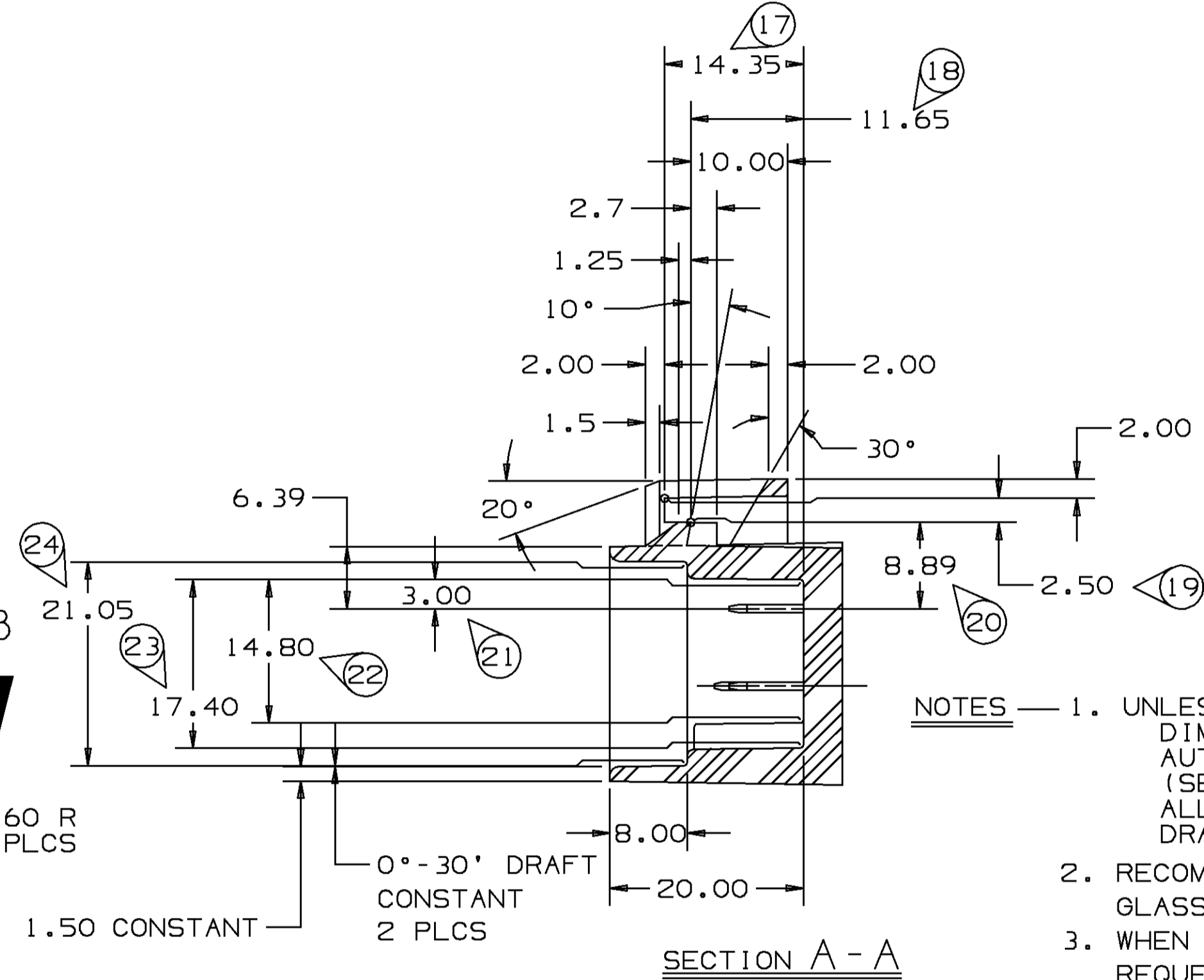
- NOTES**— 1. UNLESS OTHERWISE SPECIFIED AND/OR INDICATED: DIMENSIONS ARE TO FACE OF VIEW SHOWN AND AUTOMATICALLY ROUNDED BY COMPUTER FOR INSPECTION. (SEE MATH MODEL FOR PRECISE DIMENSION)
 CAVITIES A, B, C, D & F ARE IDENTICAL
 CAVITIES E & G ARE IDENTICAL
2. MATING COMPONENTS:
 NEUTRAL SAFETY SWITCH
 TERMINALS-
 CAVITIES A, B, C, D & F USE 12048074 TERMINAL OR EQUIVALENT
 CAVITIES E & G USE 12077413 TERMINAL OR EQUIVALENT
 SECONDARY TERMINAL LOCK 12129841 OR EQUIVALENT
 CABLE SEALS
 12048086 OR EQUIVALENT -CAVITIES A, B, C, D & F
 12015193 OR EQUIVALENT -CAVITIES E & G
 CONNECTOR POSITION ASSURANCE LOCK 12020833 OR EQUIVALENT
3. SEALING CODE 3
 DESIGN WILL PASS SALT FOG AND IMMERSION TEST AFTER CONDITIONING AS SPECIFIED IN ESA-644 (WEATHER-PACK), ESA-710 (METRI-PACK), ESA-650 (UNDERHOOD MICRO-PACK), C-4006 (WORLD CONNECTOR), ETC. - WHEN MATED TO MATING PART OR EQUIVALENT
4. WHEN PARTS ARE SHIPPED THEY MUST BE PACKED IN PLASTIC BAGS OR SHIPPING CONTAINERS MUST BE LINED WITH PLASTIC LINERS. BAGS OR LINERS MUST BE SEALED TO AVOID ENTRY OF FOREIGN MATTER.
5. FOR PART NUMBERS WITH ADHESIVE, USE PM003510 OR ADHESIVE APPROVED BY MATERIALS ENGINEERING TO GLUE CONNECTOR SEAL TO CONNECTOR

12186693	A		12176396	A	OBSOLETE	12176395
			12129840	C		12129839
P/N WITH ADHESIVE	REV	STATUS	P/N WITHOUT ADHESIVE	REV	STATUS	CONNECTOR BODY

PART NO
1217 6415



SECTION B-B



SECTION A-A

- NOTES**— 1. UNLESS OTHERWISE SPECIFIED AND/OR INDICATED: DIMENSIONS ARE TO FACE OF VIEW SHOWN AND AUTOMATICALLY ROUNDED BY COMPUTER FOR INSPECTION. (SEE MATH MODEL FOR PRECISE DIMENSION)
 ALL RADII 0.40
 DRAFT IS 1° ON ALL OUTSIDE SURFACES
2. RECOMMENDED MATERIAL :
 GLASS FILLED NYLON OR POLYESTER.
3. WHEN USING THIS INFORMATION FOR A NEW DESIGN, REQUEST THE LATEST COPY OF THIS PRINT FROM PACKARD ELECTRIC DIVISION.

MATING CONNECTOR INFORMATION

PART NO
1217 6415

GENERAL NOTE

"○" DENOTES DIMENSIONS AND CHARACTERISTICS THAT ARE IMPORTANT TO THE FUNCTION AND/OR PROCESSING OF THE PART. IT DOES NOT NECESSARILY INDICATE AN SPC DIMENSION. THIS DRAWING HAS 25 SNOWCONES.

		METRIC DIMENSIONS ARE IN MILLIMETERS UNLESS OTHERWISE SPECIFIED	
THIRD ANGLE PROJECTION			
		TOLERANCE UNLESS OTHERWISE SPECIFIED DECIMAL: ANGULAR ± 2° ONE PLACE ± 0.3 TWO PLACE ± 0.15	
CODE NO	QC	DES	
6900	-C-5110		
DWG DATE	14N094	DR FCO. KOPCA	14N094
SCALE	2:1	CK D BRANTINGHAM	16N094
REFERENCE NO	12176414 "A0" SIZE	APPR JOHN KOUNTZ	23N094
MATERIAL SPEC	SEE DRAWING		
NAME			
ASM CONN 7F M/P MXD			
PART NUMBER			
1217 6415			SIZE
PRODUCT INFORMATION DWG			A1

PACKARD ELECTRIC DIVISION
GENERAL MOTORS CORPORATION
WARREN, OHIO

Mouser Electronics

Authorized Distributor

Click to View Pricing, Inventory, Delivery & Lifecycle Information:

[Aptiv:](#)

[12129840](#)