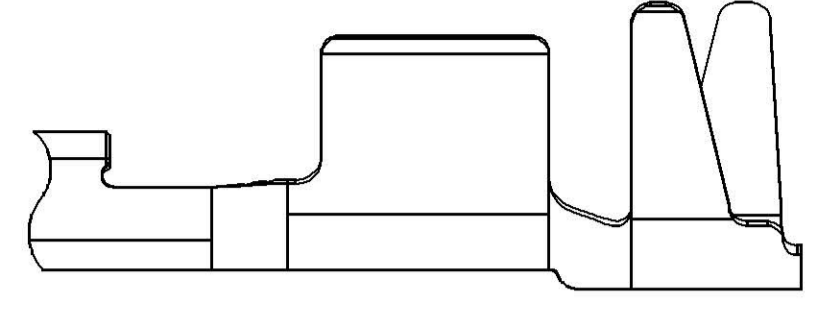
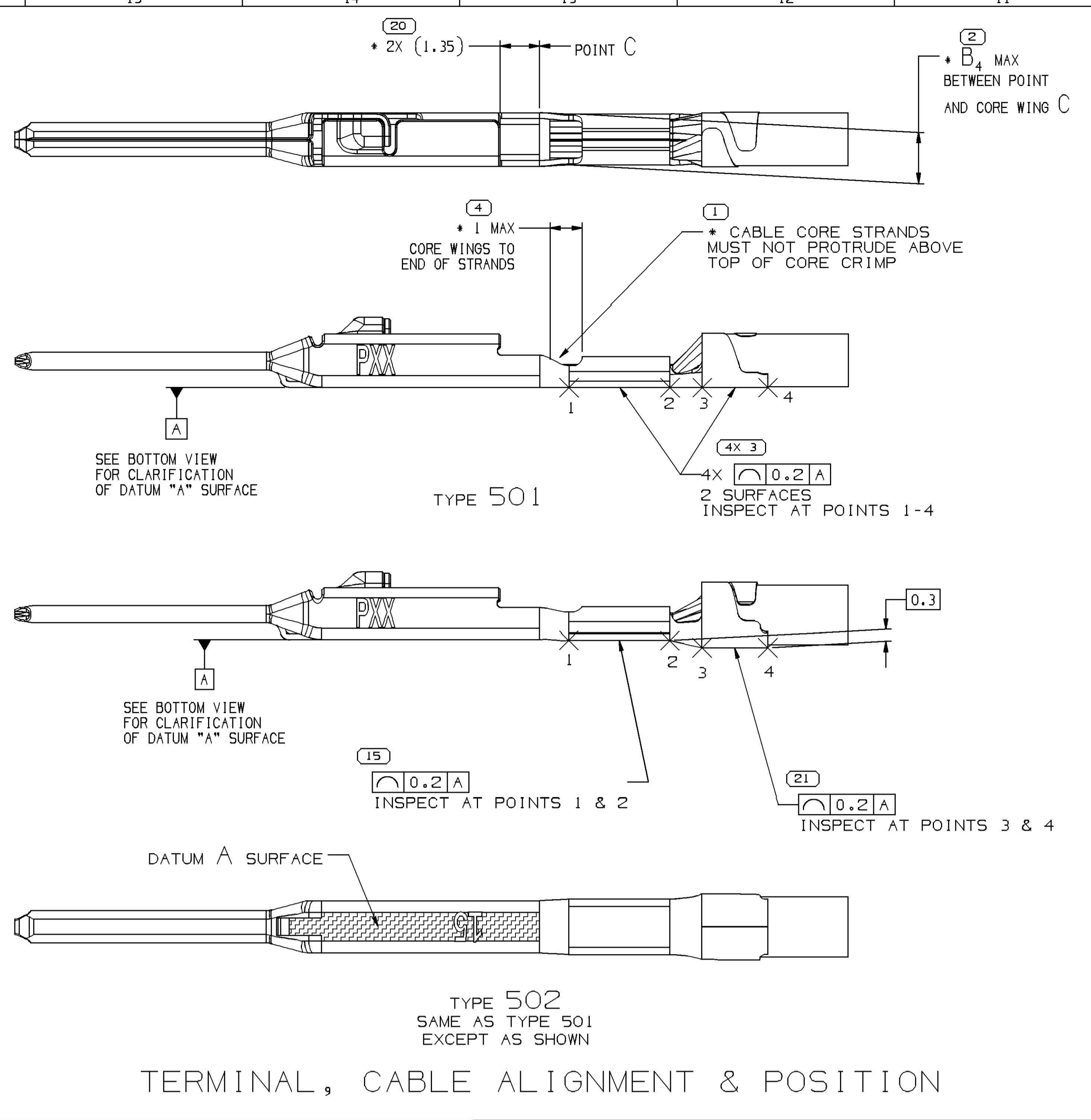
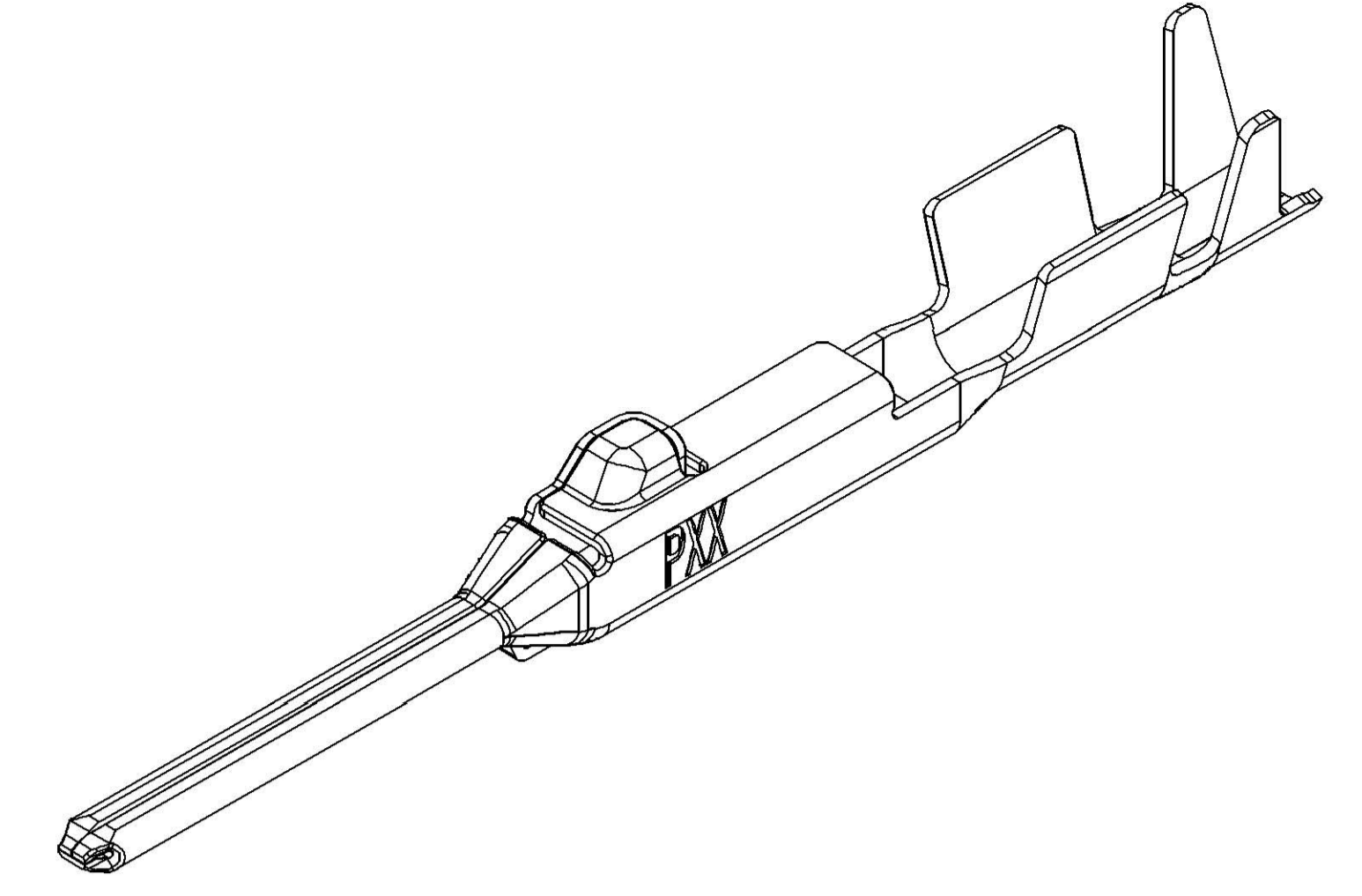


DWS STATUS		REV		N/P		CHG		ZONE		REVISION HISTORY		AUTH		DR		APVD	
DATE	STG	REV	N/P	CHG	ZONE	ALL PARTS - RELEASED PART DRAWING				439407		ABC		ABC		RBS	
02AP18	R	01	-	-	-												

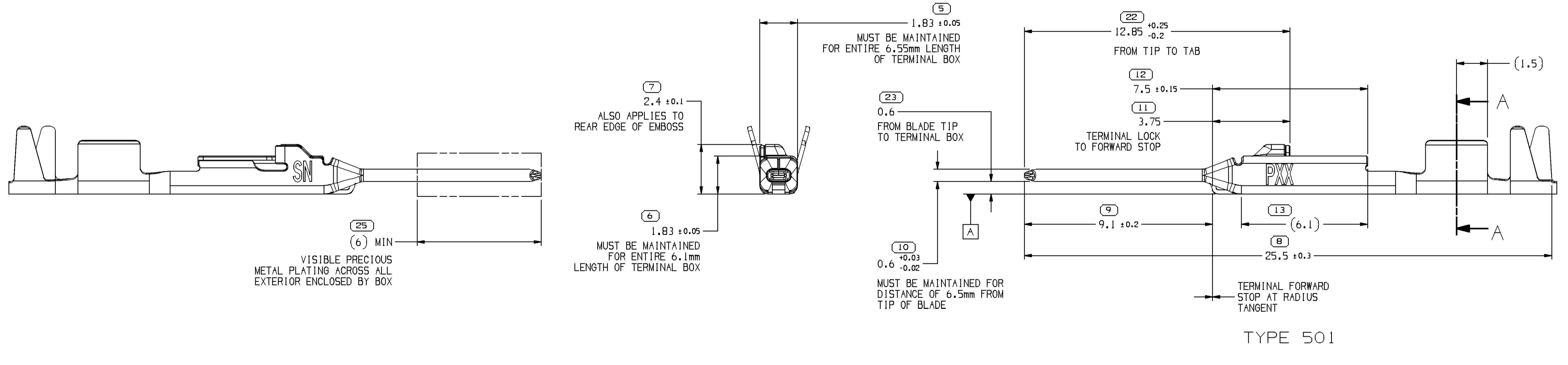
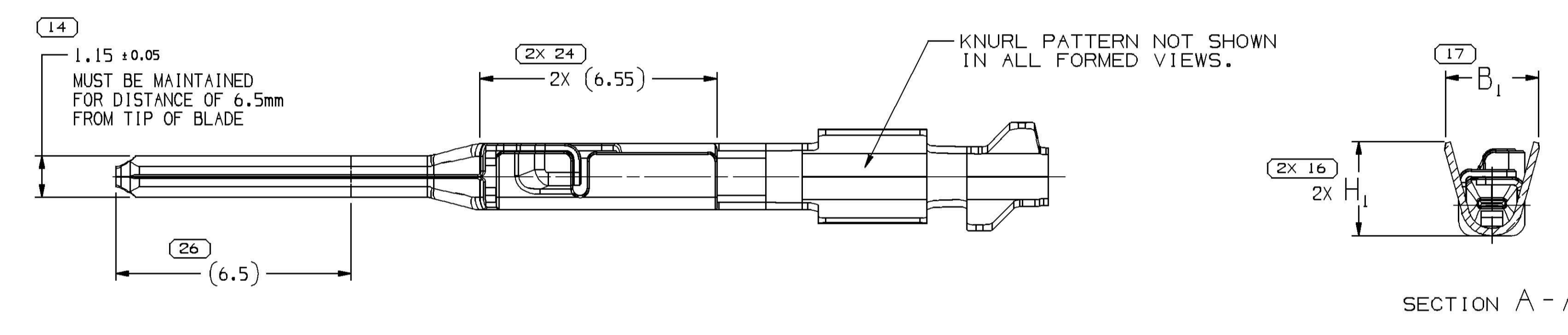
SYMBOL DEFINITION		TOTAL NO. OF INSPECTIONS REQUIRED		MISSING SYMBOLS	
A DIMENSION WITHOUT AN INSPECTION REPORT SYMBOL DOES NOT REQUIRE INSPECTION. IT MAY BE CONTROLLED ON THE INDIVIDUAL COMPONENT DRAWING.		32		NO MISSING SYMBOLS	
		26			



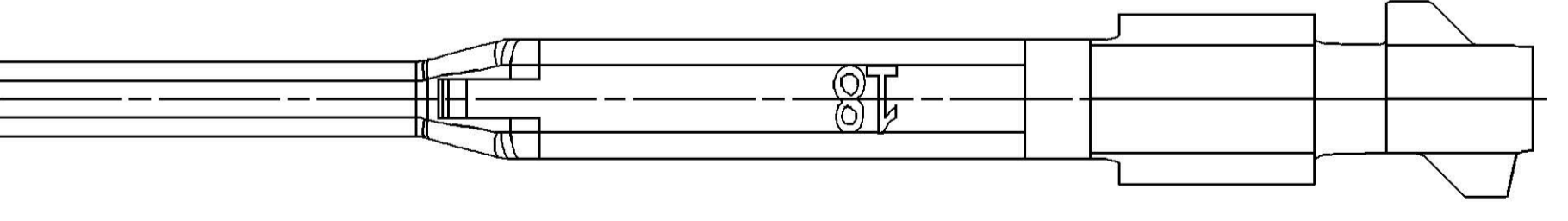
TYPE 402
SAME AS TYPE 401 EXCEPT AS SHOWN



TERMINAL, CABLE ALIGNMENT & POSITION



- NOTES
- UNLESS OTHERWISE SPECIFIED AND/OR INDICATED: DIMENSIONS ARE TO FACE OF VIEW SHOWN AND AUTOMATICALLY ROUNDED BY COMPUTER FOR INSPECTION (SEE MATH MODEL FOR PRECISE DIMENSIONS). FOR ALL OTHER DIMENSIONS NOT SHOWN BUT REQUIRED FOR TOOL BUILD, SEE MATH MODEL FOR PRECISE TOOL PATH DATA.
 - FOR TYPE 401 WITH CABLE SIZES UP TO 1.9mm O.D.; MAXIMUM INSULATION CRIMP WIDTH OF 1.9mm AND HEIGHT 1.9mm; MAXIMUM CORE CRIMP WIDTH IS 1.9mm.
FOR TYPE 401 WITH CABLE SIZES GREATER THAN 1.9mm BUT LESS THAN 2.34mm O.D.; MAXIMUM INSULATION CRIMP WIDTH OF 2.25mm AND HEIGHT 2.35mm; MAXIMUM CORE CRIMP WIDTH IS 1.9mm.
FOR TYPE 402 WITH CABLE SIZES UP TO 2.4mm O.D.; MAXIMUM INSULATION CRIMP WIDTH OF 2.6mm AND HEIGHT 2.6mm; MAXIMUM CORE CRIMP WIDTH IS 1.9mm.
 - PLATING TYPE:
 - REFLOW TIN 1.9 - 3.3 MICROMETERS THICK OVER NICKEL UNDERPLATE 0.13 - 0.254 MICROMETERS THICK.
 - SILVER 1.0 - 2.0 MICROMETERS THICK OVER NICKEL UNDERPLATE 0.127 - 0.254 MICROMETERS THICK.
 - MATTE TIN 1.9 - 7.0 MICROMETERS THICK OVER NICKEL UNDERPLATE 0.127 - 0.254 MICROMETERS THICK. (FOR USE WITH SELECTIVE SILVER PLATING SPECIFICATION)
- PLATING TYPE INFORMATION SHOWN ABOVE IS REFERENCE ONLY. PLATING REQUIREMENTS ARE CONTAINED IN APPLICABLE MATERIAL SPECIFICATION.



PART NUMBER	REV	N/P	CABLE I.D. STATUS	TYPE	MATERIAL SPECIFICATION	MATERIAL SIZE	CONTACT AREA PLATING TYPE (SEE NOTE 3)	CRIMP AREA PLATING TYPE (SEE NOTE 3)	CONTACT PLATING I.D.	CABLE I.D.	CABLE SIZE (mm ²)	CABLE DIAMETER	B ₁ ±0.15	B ₂ ±0.25	B ₄	(H ₁)	(H ₂)
35091063	01	-	-	501	TIN PLATED COPPER ALLOY	0.2 x 29.5	I	I	SN	25	0.13 - 0.22	0.81 - 1.2	1.5	1.8	1.65	1.4	1.8
35091062	01	-	-	501	TIN PLATED COPPER ALLOY	0.2 x 29.5	I	I	SN	21	0.35 - 0.5	1.2 - 1.83	2.1	2.85	1.85	2.05	3.15
35091061	01	-	-	501	TIN PLATED COPPER ALLOY	0.2 x 29.5	I	I	SN	18	0.75 - 1.0	1.7 - 2.34	2.6	3	1.88	2.6	3.3
35091060	01	-	SEE NOTE #9	502	TIN PLATED COPPER ALLOY	0.2 x 29.5	I	I	SN	15	1.25 - 1.5	1.8 - 2.4	3.1	3.9	2.2	3.1	3.8

UNLESS OTHERWISE SPECIFIED	
DIMENSIONAL RANGE (MM)	CHART ID
FROM 0 TO 12	> 12
TOLERANCE UNLESS OTHERWISE SPECIFIED	
±0.1	±0.2
ANGULAR TOLERANCE ±2°	

THIRD ANGLE PROJECTION		DO NOT SCALE	
USE MATH DATA			

DELPHI
DELPHI PACKARD ELECTRICAL/ELECTRONIC ARCHITECTURE
WARREN, OH
COPYRIGHT 2018 DELPHI CORPORATION AND/OR ITS AFFILIATES. ALL RIGHTS RESERVED.

THIS DRAWING IS THE PROPERTY OF DELPHI CORPORATION AND CONTAINS DELPHI CONFIDENTIAL INFORMATION. THE REPRODUCTION, DISTRIBUTION AND UTILIZATION OF THIS DOCUMENT OR ITS CONTENTS TO ANY OTHERS, WITHOUT EXPRESS AUTHORIZATION, IS PROHIBITED.

DATE

OR

APVD1 A. GARCIA CABELLO	02AP18
APVD2 A. GARCIA CABELLO	02AP18
APVD3 ROBERT B. SNADER	03AP18
APVD4	
APVD5	

SUBSTANCES OF CONCERN AND RECYCLED CONTENT PER DELPHI 10949901

MATERIAL SEE CHART

DRAWING NAME
TAXI TERM M OCS 1.2

DRAWING NUMBER
33101338

SIZE A0	SCALE 10:1	FRAME NO 1 OF 1	SHEET NO 5 OF 5	STG REV R 01	N/P -
---------	------------	-----------------	-----------------	--------------	-------

Date: 04-Apr-18 Time: 15:51

Mouser Electronics

Authorized Distributor

Click to View Pricing, Inventory, Delivery & Lifecycle Information:

[Aptiv:](#)

[35091062](#) [35091061](#) [35091061-MR](#) [35063084-MR](#) [35091062-MR](#) [35091062-L](#)