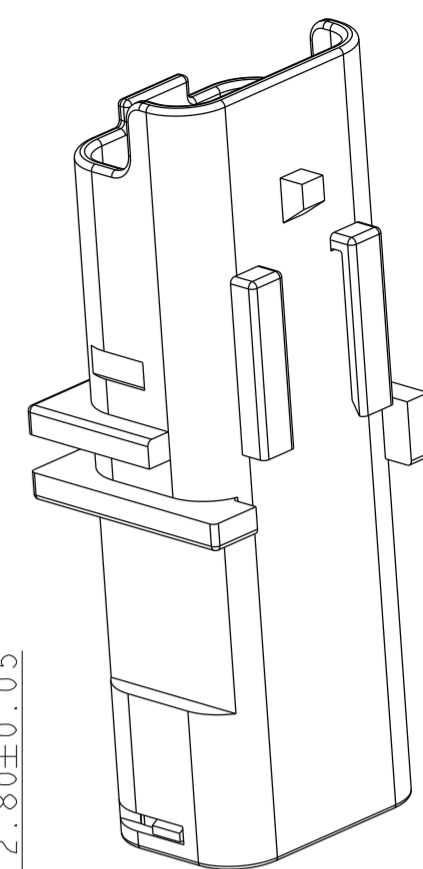
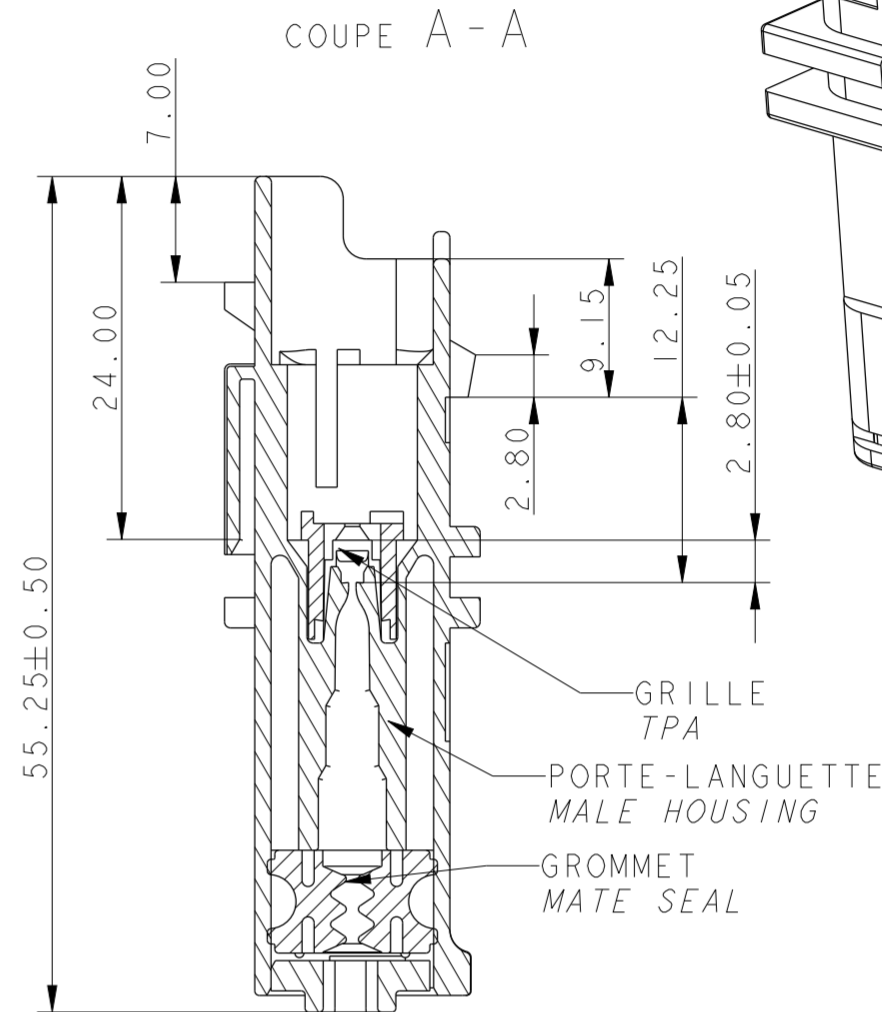
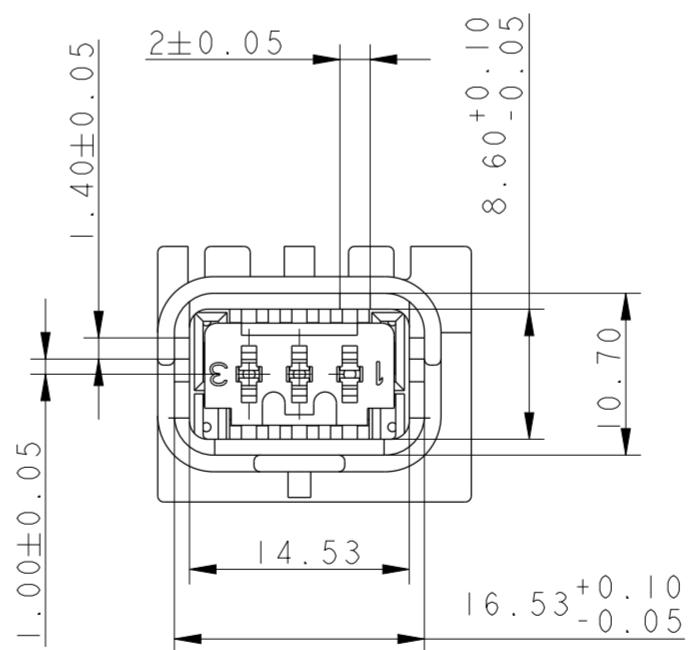
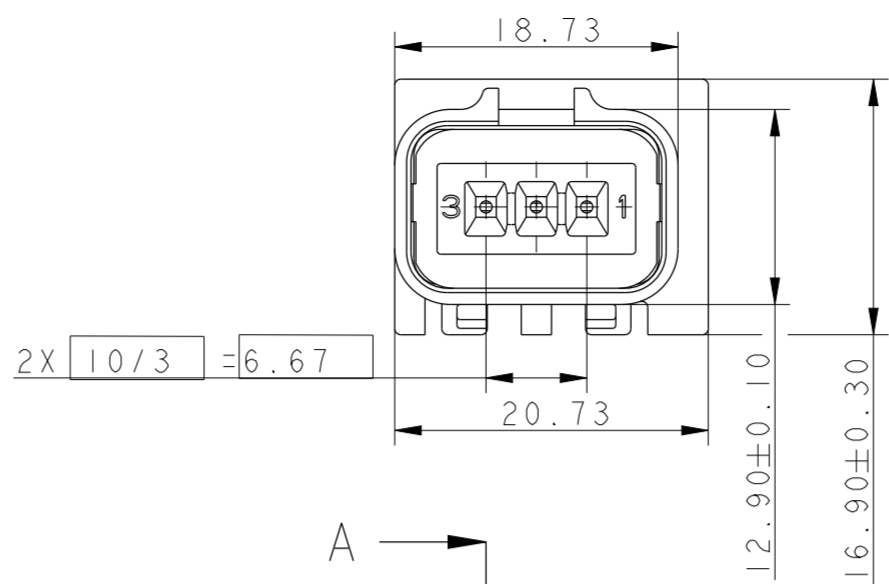
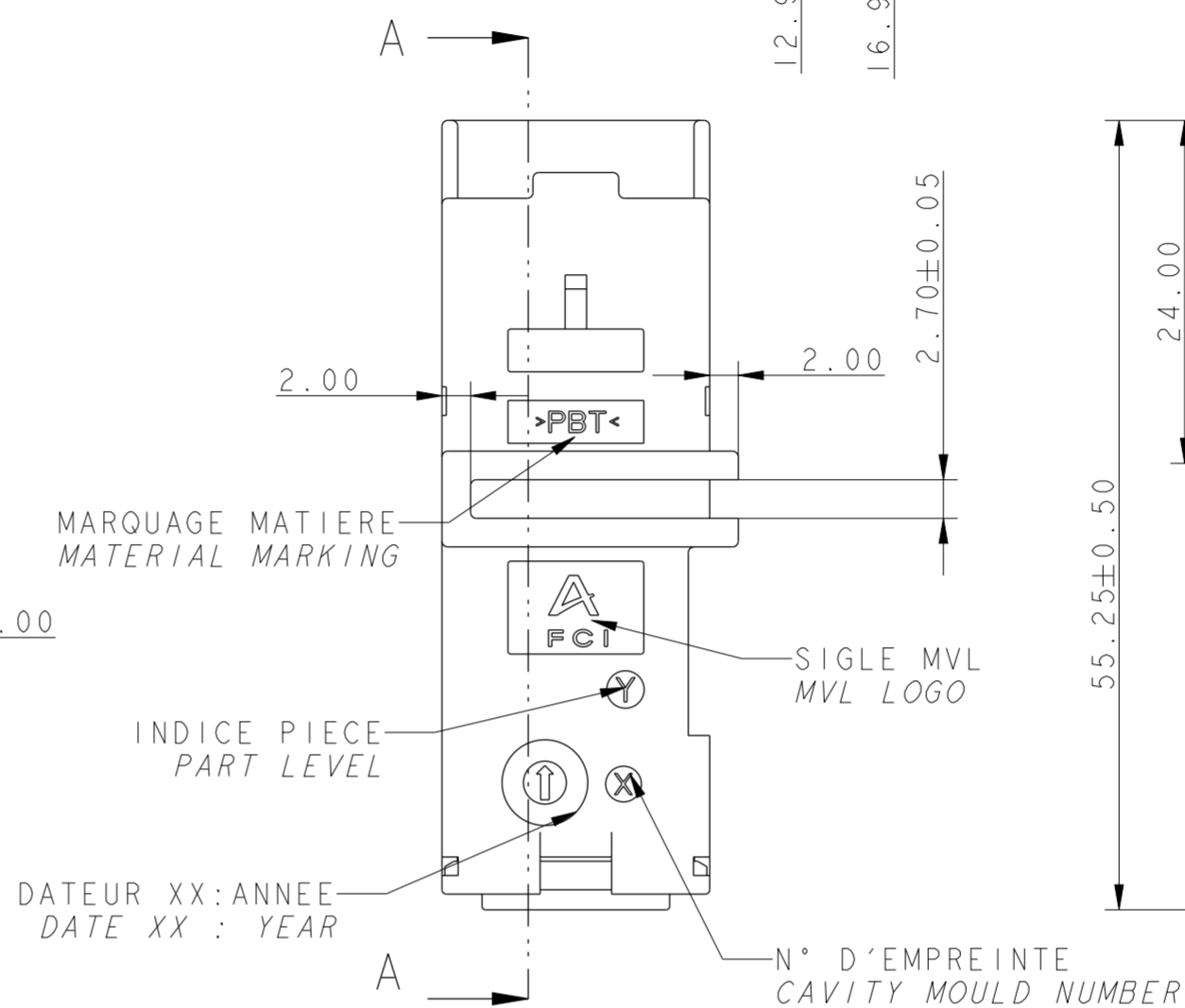
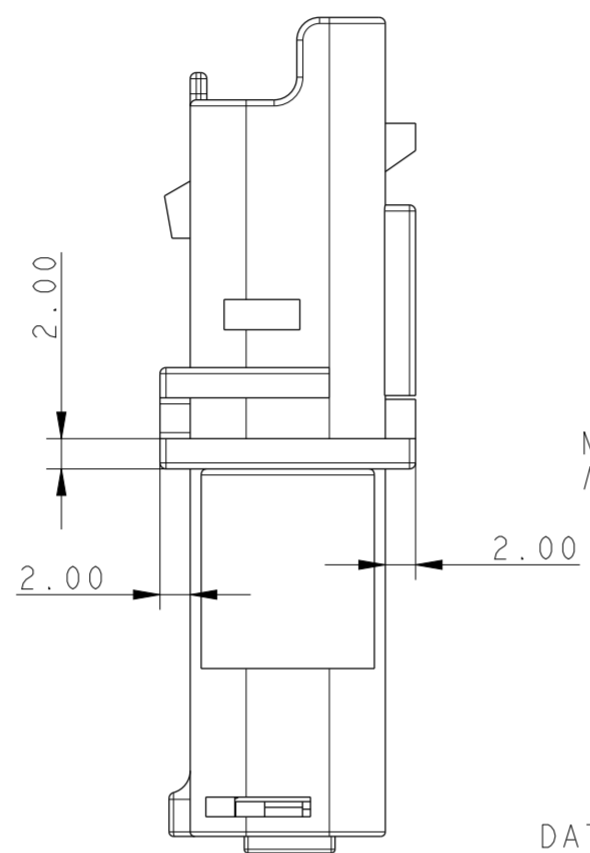


NOTA	SPECIFICATIONS
1	CONNECTEUR T 111 B2 B21 7050 MALE CONNECTOR T 111 B2 B21 7050
2	ALVEOLE SUIVANT STE 96 288 230 99 CAVITY IN ACCORDANCE STE 96 339 230 99
3	POSITION ALVEOLE SUIVANT STE 96 339 622 99 CAVITY'S POSITION IN ACCORDANCE WITH STE 96 339 622 99
4	ACCROCHAGE SELON STE N° 96 153 261 99 HANGING IN ACCORDANCE WITH STE 96 153 261 99
5	CONDITIONNEMENT SUIVANT NORME E 7703 150G PACKAGING IN ACCORDANCE WITH E 7703 150G
6	MASSE DU PRODUIT = 15 g (ISOLANT + GRILLE + GROMMET) WEIGHT OF PRODUCT = 15 g (HOUSING + TPA + MATE SEAL)
7	CHARNIERE DE PLAQUETTE ARRIERE ABSENTE OU CASSEE ADMISE NO REAR GRID OR REAR GRID HINGE BROKEN ALLOWED
8	PARTICULES DE SILICONE DANS LE GROMMET, BOUCHANT PARTIELLEMENT UN ORIFICE, ADMISES SILICONE PARTICLES IN MATE SEAL, BLOCKING PARTIALLY AN ORIFICE, ADMITTED

Ø DE L'ISOLANT DES FILS WIRE INSULATION Ø	MINI	MAXI
	1.40	2.80

BOUCHON PLUG	210 A 01 5 019	PBT NON CHARGE PBT 0%	VERT GREEN
PORTE-LANGUETTES MALE HOUSING	211 1 1 035	PBT NON CHARGE PBT 0%	MARRON BROWN
	211 1 5 035		VERT GREEN
	211 1 4 035		JAUNE YELLOW
	211 1 8 035		GRIS GREY
	211 1 6 035		BLEU BLUE
	211 1 0 035		NOIR BLACK
GRILLE TPA	211 M 4 033	PBT 15% FV	JAUNE YELLOW
GROMMET MATE SEAL	211 M 109	SILICONE AUTOLUBRIFIE	VERT GREEN
DESIGNATION	REF. MVL	MATIERE MATERIAL	COULEUR COLOUR



5.75	3.85	1.95	0.05	1.85	3.75	VUE F F VIEW ±0.1
						COULEUR COLOUR
NOIR BLACK	BLEU BLUE	GRIS GREY	JAUNE YELLOW	VERT GREEN	MARRON BROWN	
211 PL 03 2 S 0 049	211 PL 03 2 S 6 049	211 PL 03 2 S 8 049	211 PL 03 2 S 4 049	211 PL 03 2 S 5 049	211 PL 03 2 S 1 049	REF. MVL
A	A	A	A	A	A	IND.
10788983	33500321	10863645	10864080	13548595	33500320	REF. DELPHI
01	01	01	01	01	01	IND.

ECN-NO. NUMERO ECN	POSITION POSITION	CHANGE DESCRIPTION MODIFICATION
-	-	-
-	-	-
-	-	-
-	-	-
-	-	DELPHI P/N ADDED; ADDED ENGLISH TRANSLATION
PRODUCT SPEC. SPECIF. PRODUIT	PACKAGING SPEC. SPECIF. EMBALLAGE	APPLICATION SPEC. SPECIF. APPLICATION
	PU008	PU008
COPYRIGHT DELPHI CORPORATION AND/OR ITS AFFILIATES. ALL RIGHTS RESERVED. REVISED THIS DRAWING IS THE PROPERTY OF DELPHI CORPORATION AND CONTAINS DELPHI CONFIDENTIAL INFORMATION. THE REPRODUCTION, DISTRIBUTION AND UTILIZATION OF THIS DOCUMENT OR ITS RELATED CAD DATA, AS WELL AS COMMUNICATION OF ANY CONTENT TO OTHERS, WITHOUT EXPRESS AUTHORIZATION, IS PROHIBITED.		
TOLERANCES TOLERANCES	±0.1 ±2'	MATERIAL : MATIERE :
COUNTERPART No. CONTRE-PARTIE N°	SEE TABLE	SURFACE FINISH ETAT DE SURFACE
DO NOT MEASURE DRAWING NE PAS PRENDRE DE COTES	TOOL NO. OUTIL N°	ECO Loc. Code CODE B.E.
DATE DATE	NAME NOM	FE
CREATED BY CREE PAR	2002-07-18	CM
MODIFIED BY MODIF. PAR	2014/12/08	F FAURIE
CHECKED BY VERIF. PAR	2014/12/11	S LACOTE
APPROVED BY APPR. PAR	2014/12/11	Pascal MENARD
FILE NAME NOM DE FICHIER	211FT0446	
PROJECT DESIGNATION PROJET		
3 WAYS 15x08 MALE CONNECTOR		
WITH NEW GENERATION OF GROMMET		
ESR NO. NUMERO ESR	FRA-0102	CAT. NO. NUMERO CAT.
DOCUMENT UNDER PDS CONTROL DOCUMENT GERE SOUS P.D.S.		
NO MODIFICATION ALLOWED OUTSIDE PAS DE MODIFICATION EN DEHORS		
DRAWING NUMBER REF. PLAN	211FT0446	REV. IND.
STATE ETAT	SERIAL RELEASED	B
PART NUMBER REF. ARTICLE	See Table	
APPROVAL LEVEL NIV. D'APPROBATION		
SHEET FEUILLE		
of 1 sur 1		
SCALE ECH.	2:1	

Mouser Electronics

Authorized Distributor

Click to View Pricing, Inventory, Delivery & Lifecycle Information:

[Aptiv:](#)

[211PL032S1049](#)