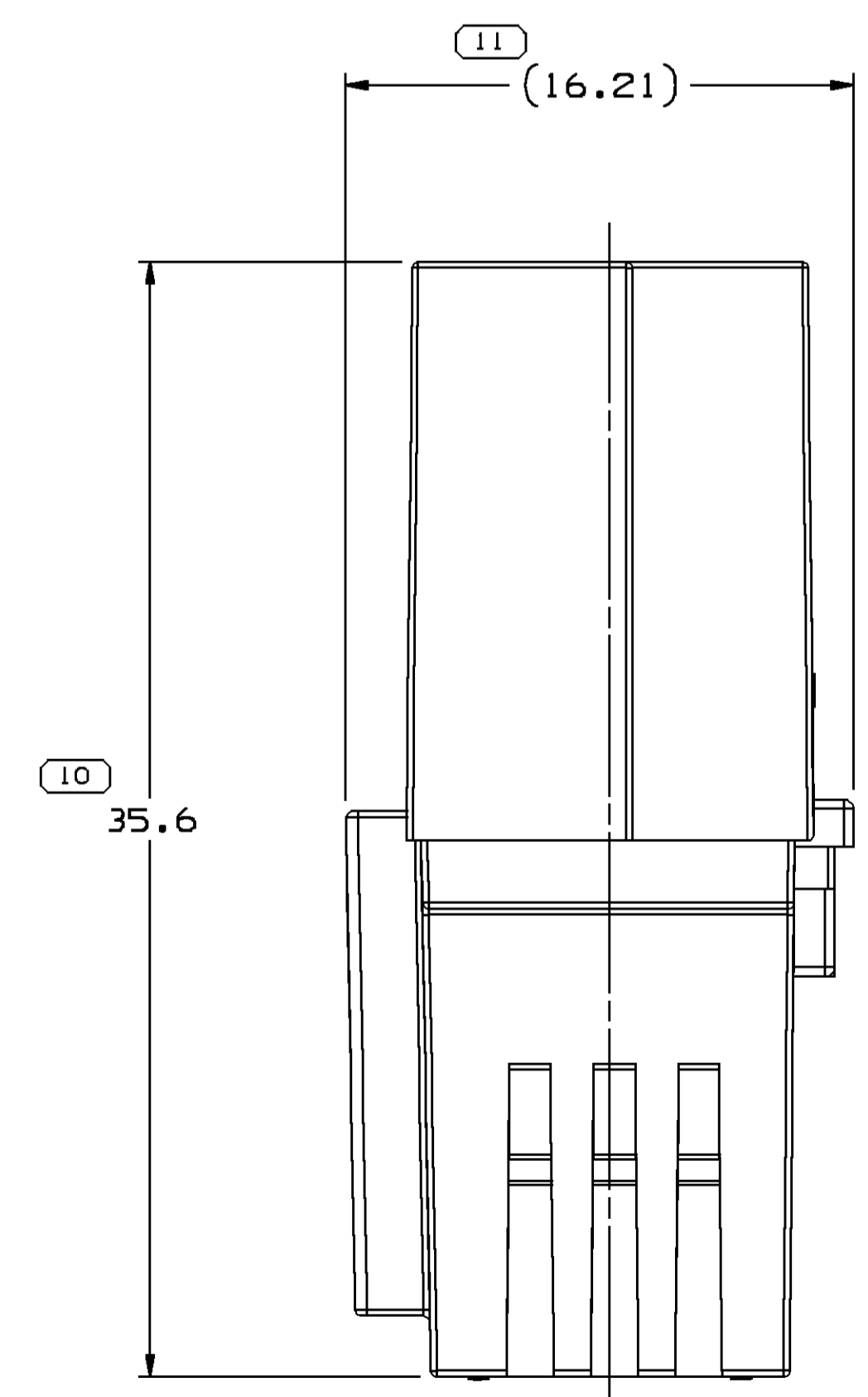
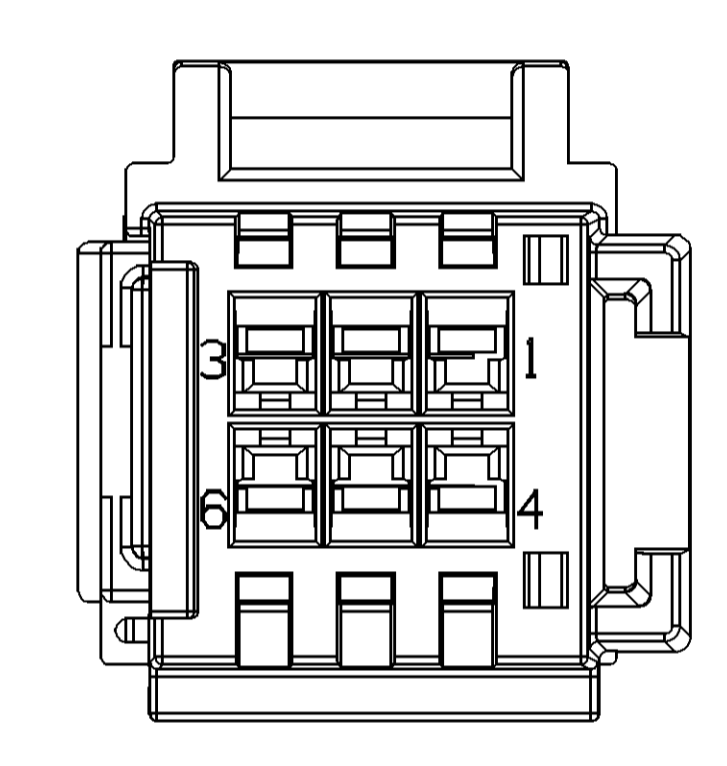
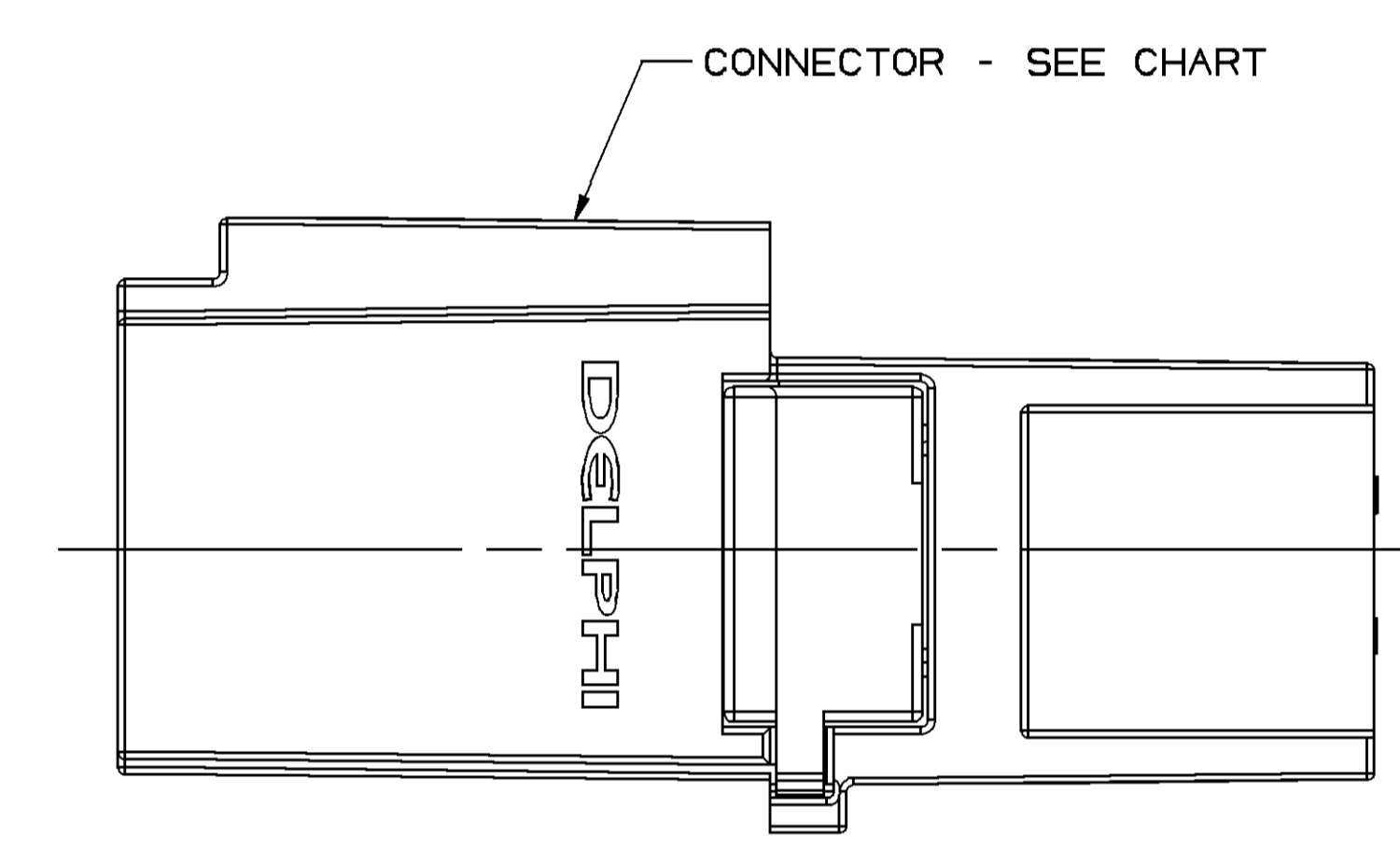
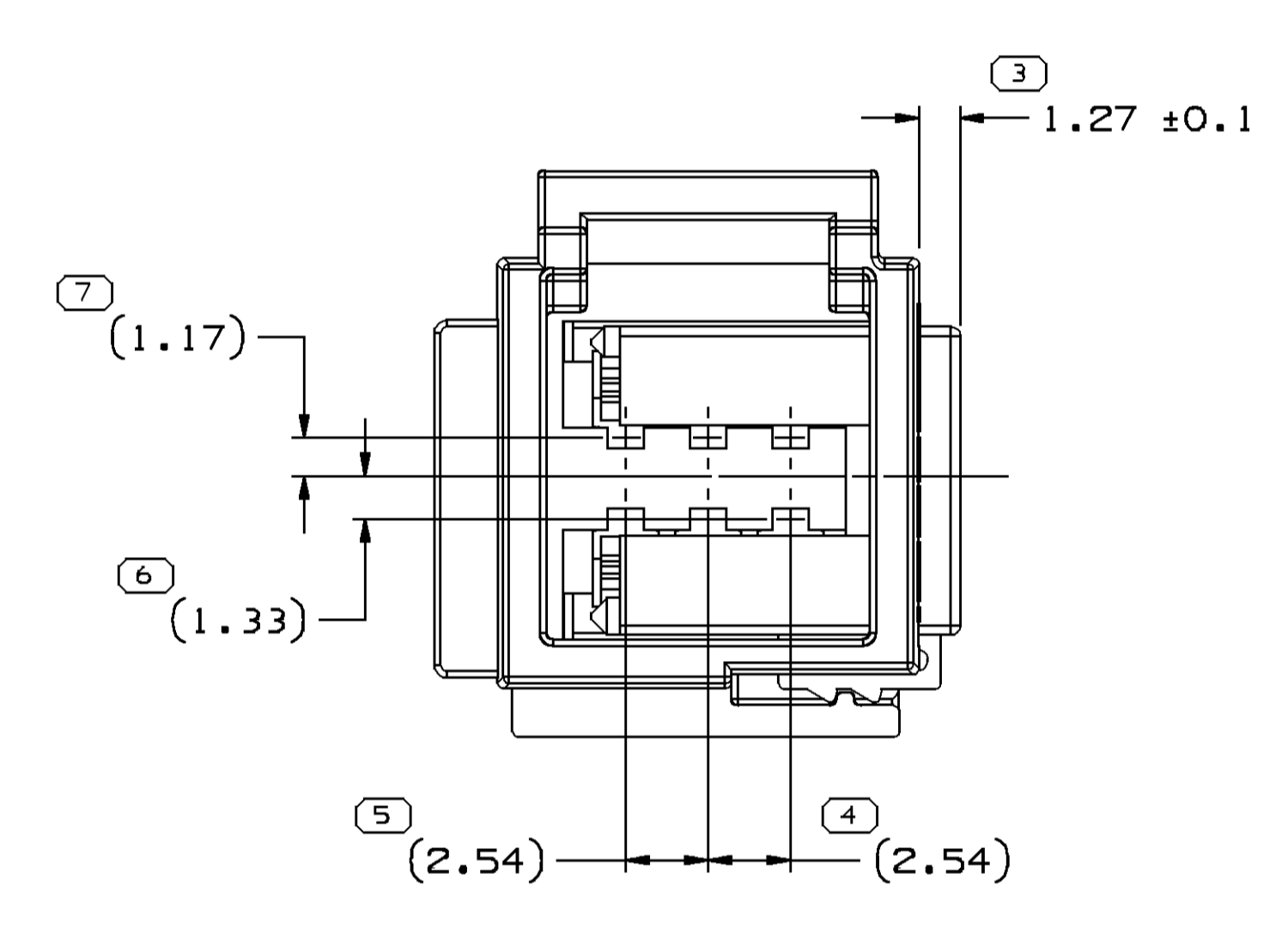
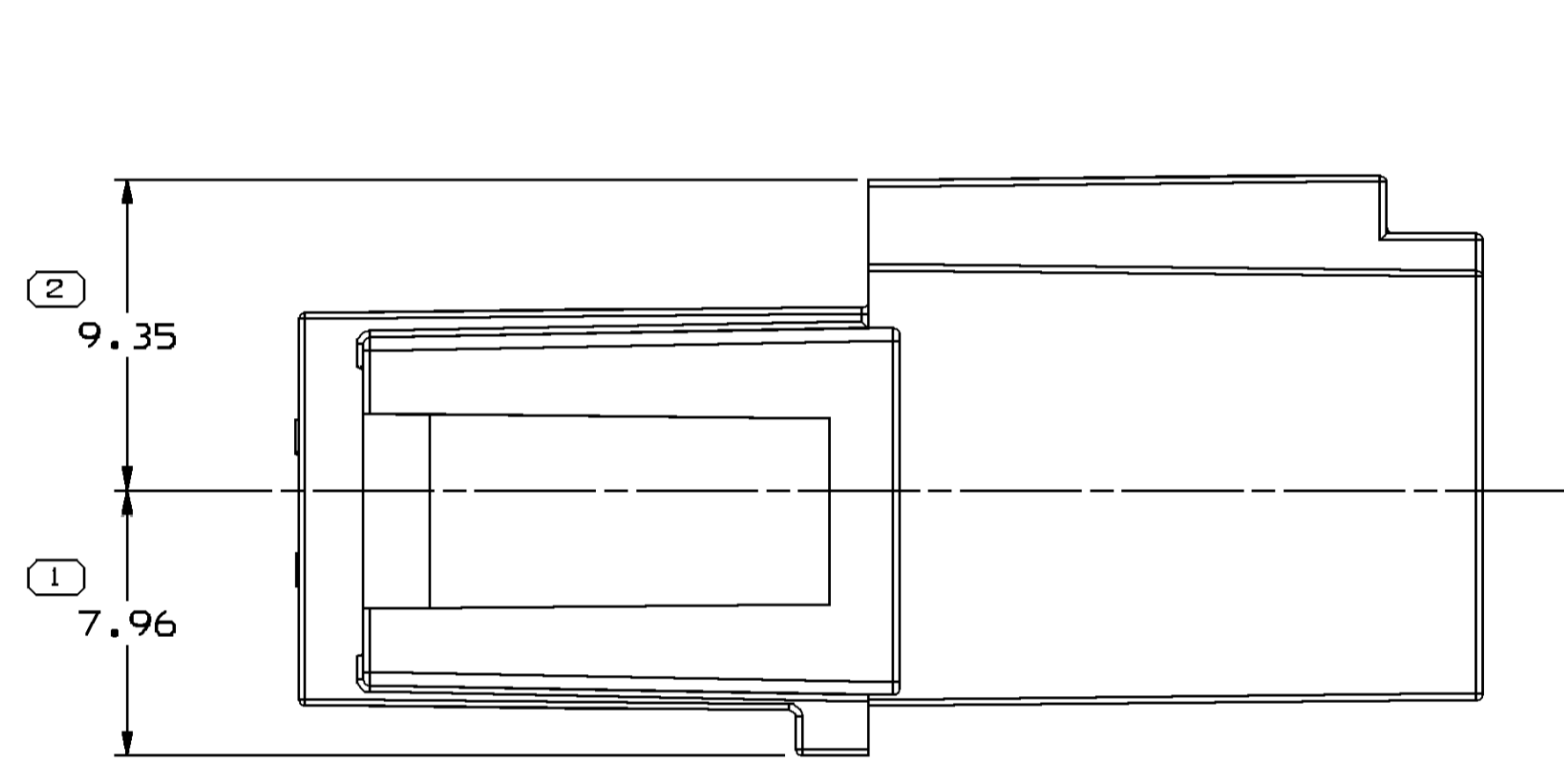
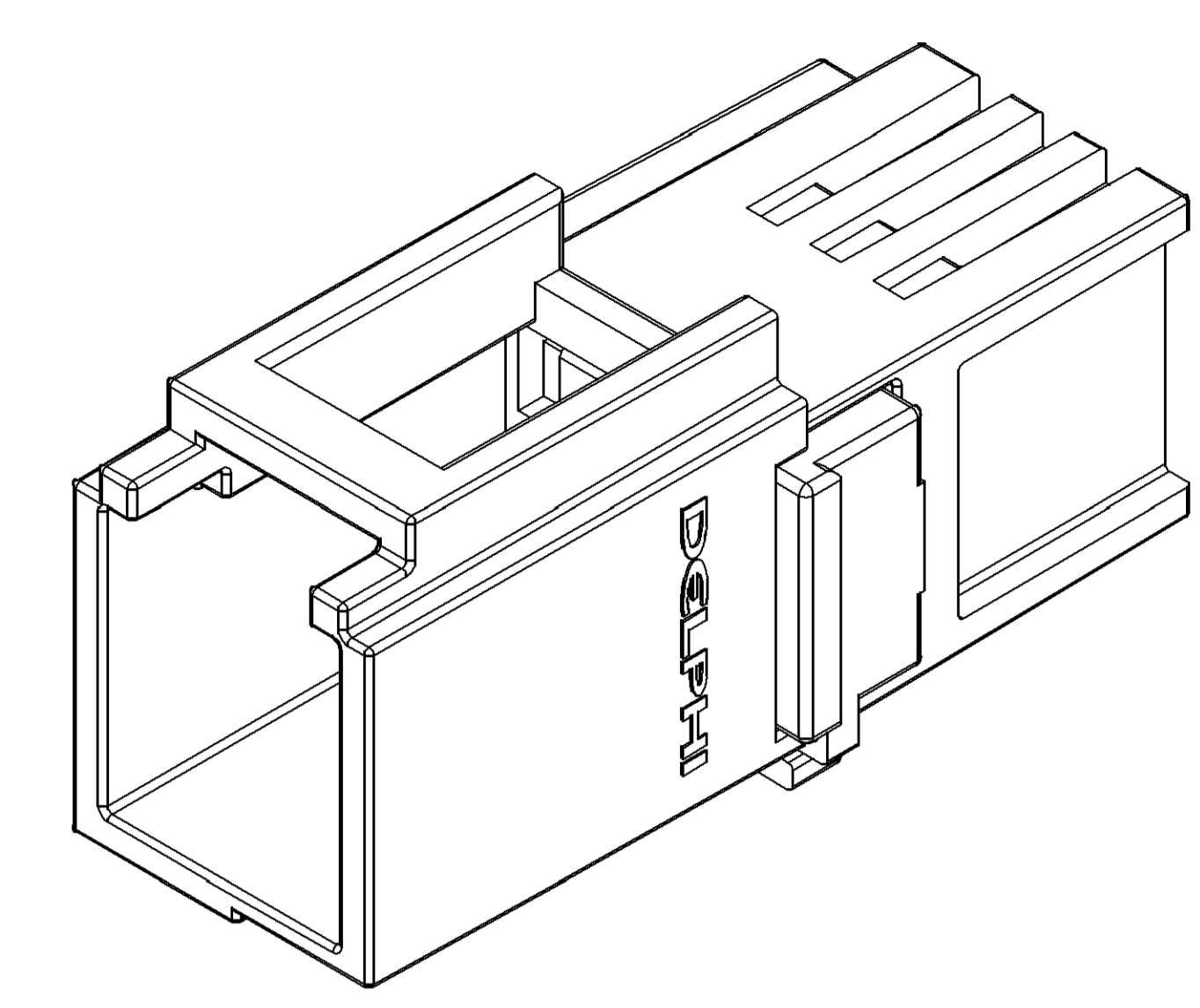
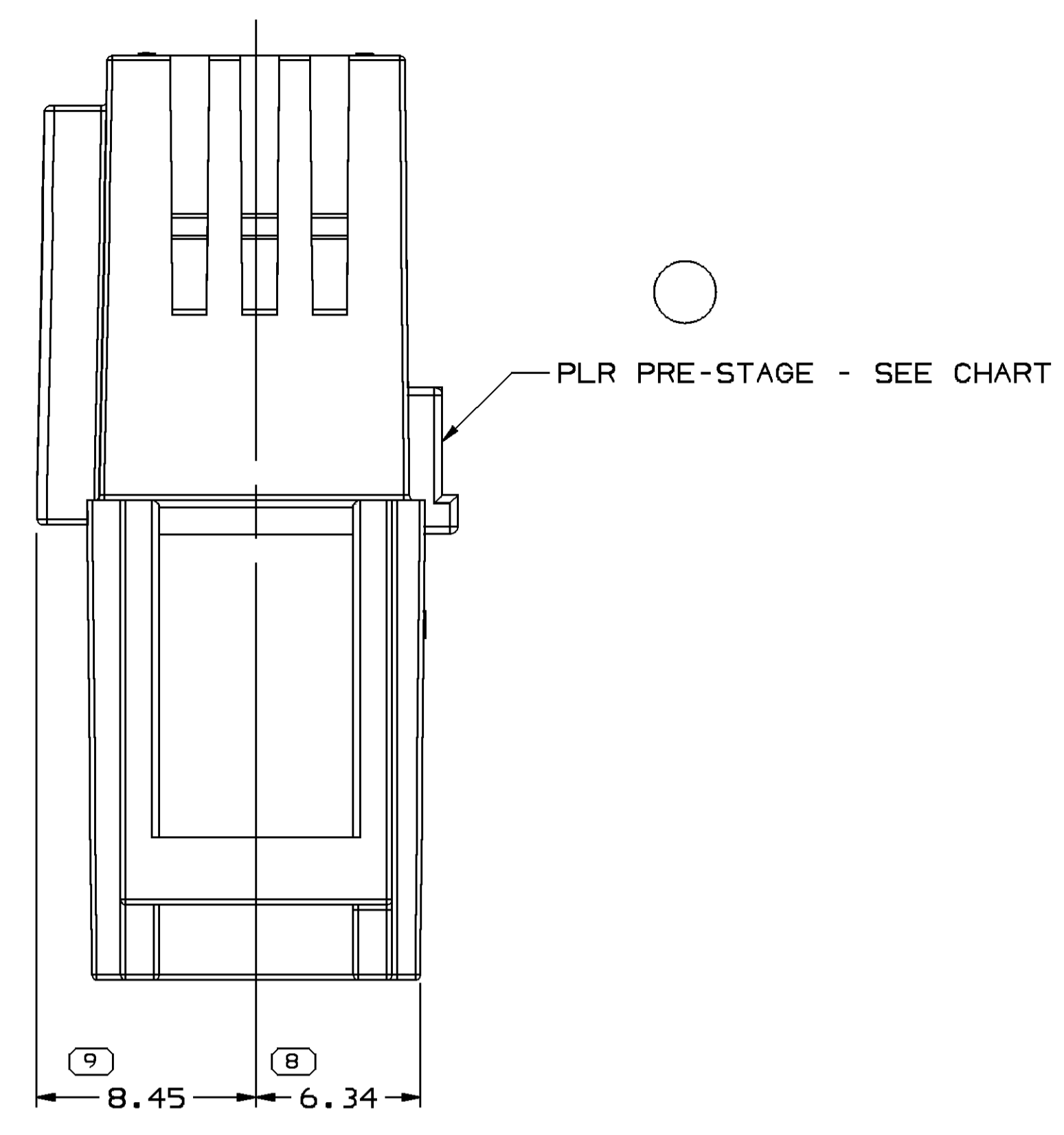


SYMBOL DEFINITION		TOTAL NO OF INSPECTIONS REQUIRED	MISSING SYMBOLS
A DIMENSION WITHOUT AN INSPECTION REPORT SYMBOL DOES NOT REQUIRE INSPECTION. IT MAY BE CONTROLLED ON THE INDIVIDUAL COMPONENT DRAWING.		11	NO MISSING SYMBOL NUMBER
	LAST NO. USED	11	

DWS STATUS						REVISION HISTORY		AUTH	DR	APVD	APV2
DATE	STG	REV	W/P	CHG	ZONE						
14MY12	R	01	-	-		CREATED PART DRAWING		418185	CFH	MMC	MMC
28NO12	R	02	-	-		REVISED CONN. CHANGED DIM 9.35 WAS 9.26, DIM 7.96 WAS 8.05, DIM 1.17 WAS 1.06 & DIM 1.33 WAS 1.22		420057	CFH	RGC	CFH
15JL13	R	02	AA	-		CHANGED "PLR" INSTEAD OF SLC FROM CHART & NOTES		423278	CFH	CFH	CFH



NOTES

- UNLESS OTHERWISE SPECIFIED AND/OR INDICATED:
DIMENSIONS ARE TO FACE OF VIEW SHOWN AND AUTOMATICALLY ROUNDED BY COMPUTER FOR INSPECTION (SEE MATH MODEL FOR PRECISE DIMENSIONS). FOR ALL OTHER DIMENSIONS NOT SHOWN BUT REQUIRED FOR TOOL BUILD, SEE MATH MODEL FOR PRECISE TOOL PATH DATA.
- THIS PRODUCT IS NOT CATEGORIZED AS AN APPEARANCE ITEM, MINOR IMPERFECTIONS INCLUDING, BUT NOT LIMITED TO, FLOW MARKS, COLOR BLEMISHES, GATE VESTIGE, AND SOFT FLASH THAT DO NOT AFFECT THE FIT, FORM, OR FUNCTION OF THE PART ARE PERMISSIBLE PER DPNP-4.7-CS-01.
- FOR APPLICATION DATA SEE THE APPLICATION DRAWING.

13955963	13832941	13955964
PART NO	CONNECTOR	PLR

(N/A) PROCESS SENSITIVE DIMENSION DIMENSIONS ENCLOSED IN () INDICATE REFERENCE DIMENSIONS AND NO TOLERANCE LIMITS ARE ESTABLISHED		THIRD ANGLE PROJECTION 		DO NOT SCALE 	
DIMENSIONAL RANGE (MM) FROM TO > 0 > 20 > 30 > 70 > 100 > 150 > 200 > 250 > 300 > 30 > 70 > 100 > 150 > 200 > 250 > 300 > 400		CHART SET TOLERANCE UNLESS OTHERWISE SPECIFIED ANGULAR TOLERANCE ±2°		SHEET NO 1 OF 1 REV R 02 AA	

DELPHI
 DELPHI PACKARD ELECTRICAL/ELECTRONIC ARCHITECTURE
 WARREN, OH
 COPYRIGHT 2012 DELPHI CORPORATION AND/OR ITS AFFILIATES. ALL RIGHTS RESERVED.
 THIS DRAWING IS THE PROPERTY OF DELPHI CORPORATION AND CONTAINS DELPHI CONFIDENTIAL INFORMATION. THE REPRODUCTION, DISTRIBUTION AND UTILIZATION OF THIS DOCUMENT OR ITS CONTENTS AND DATA, AS WELL AS COMMUNICATION OF ANY CONTENT TO OTHERS, WITHOUT EXPRESS AUTHORIZATION, IS PROHIBITED.

DR	DATE
APV01 CYNTHIA FRAGA	14MY12
APV02 MARIO MARTINEZ	14MY12
APV03 MARIO MARTINEZ	14MY12
APV04	

SUBSTANCES OF CONCERN AND RECYCLED CONTENT, PER DELPHI (0944900)

MATERIAL: SEE CHART

DRAWING NAME: ASM CONN 6 M 0.64 11

DRAWING NUMBER: 13955963

SIZE: A0 SCALE: 5:1 FRAME NO: 1 OF 1 SHEET NO: 1 OF 1 REV: R 02 AA

Mouser Electronics

Authorized Distributor

Click to View Pricing, Inventory, Delivery & Lifecycle Information:

[Aptiv:](#)

[13955963](#)