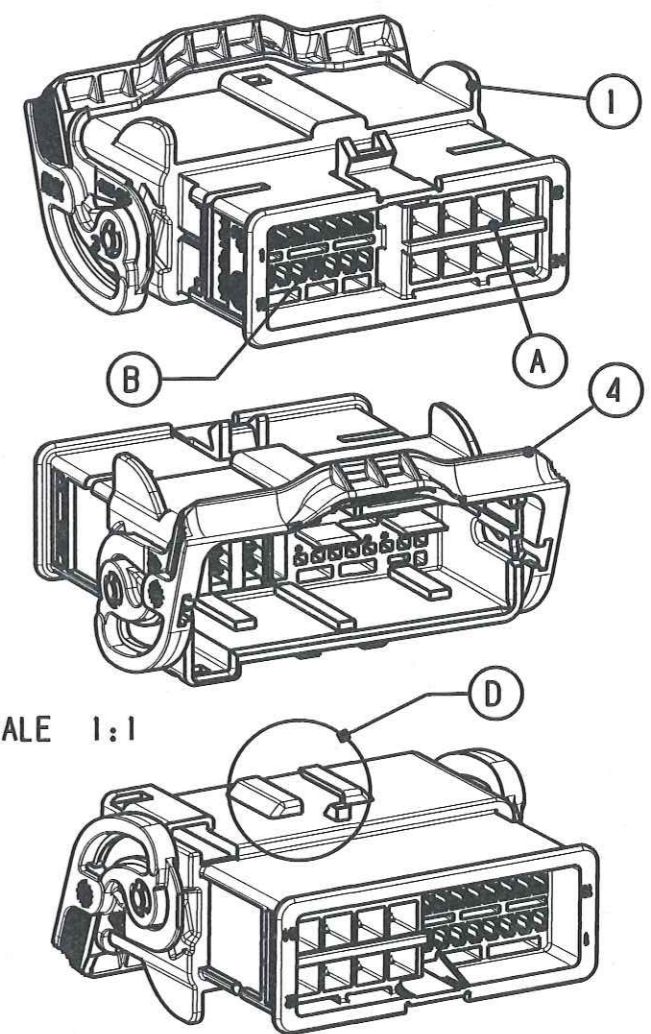
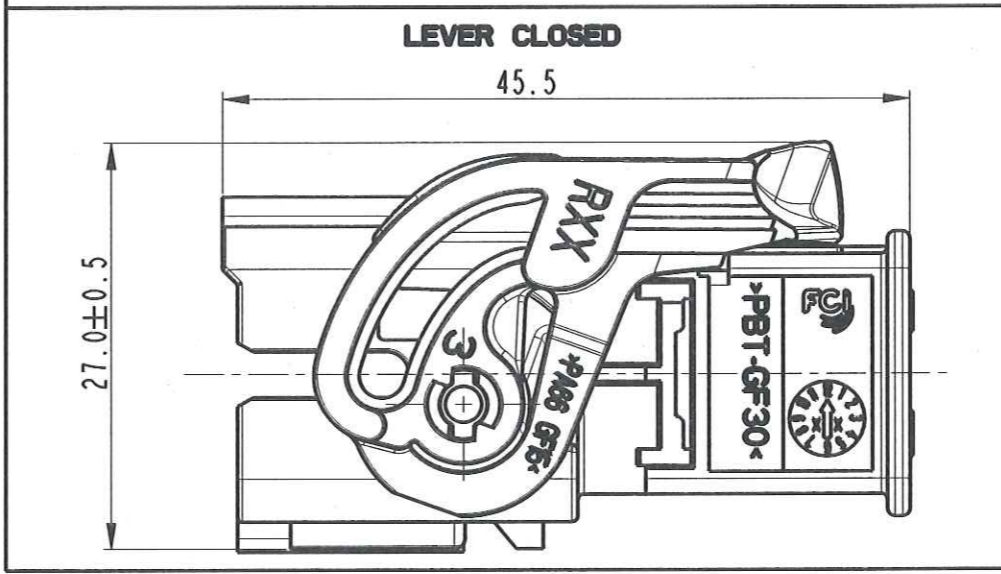
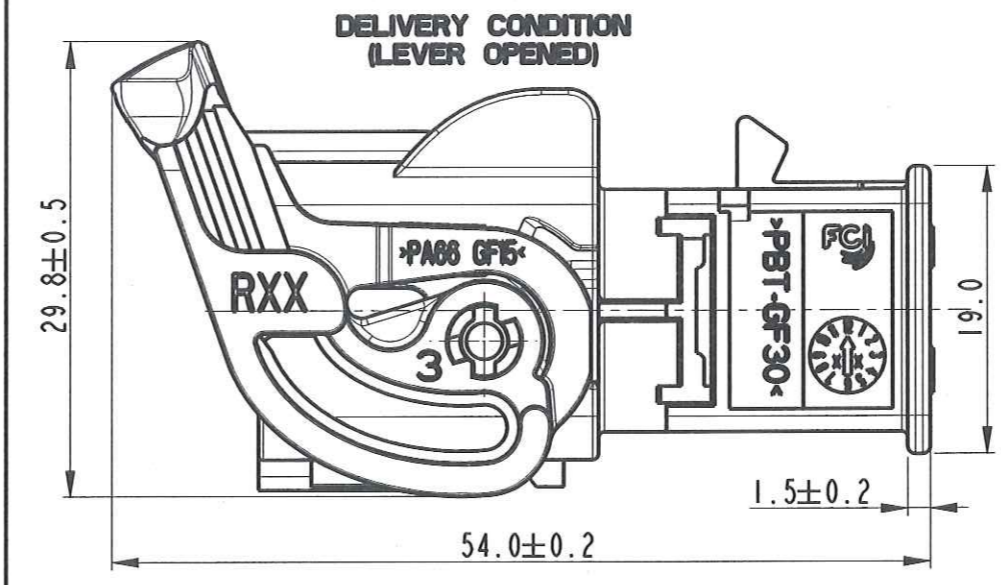
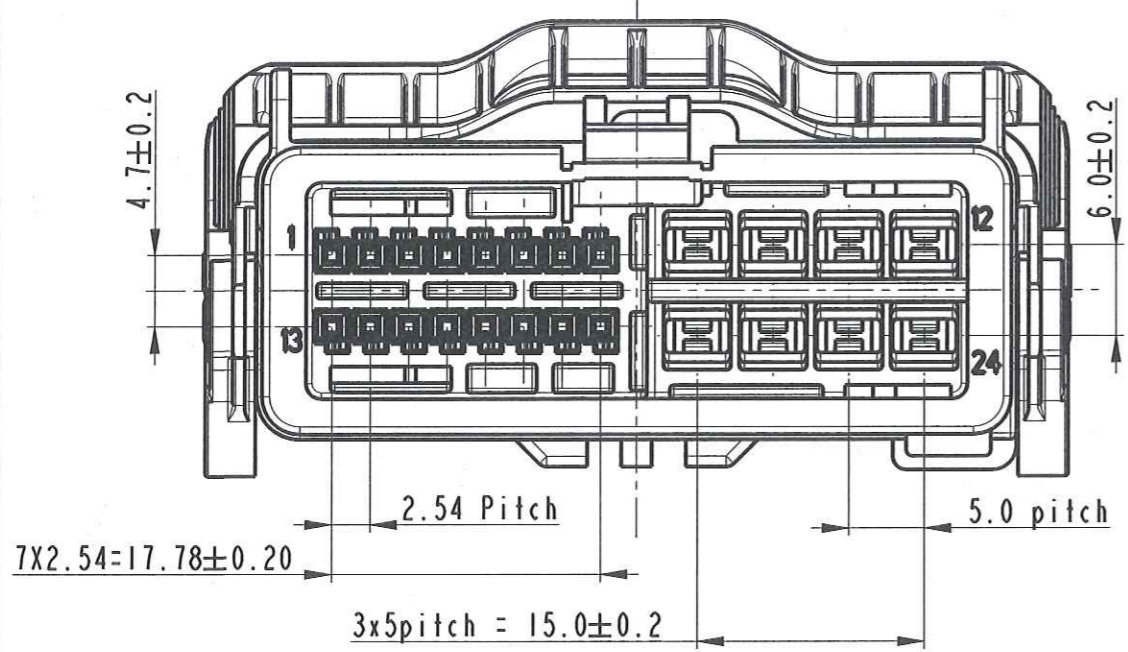
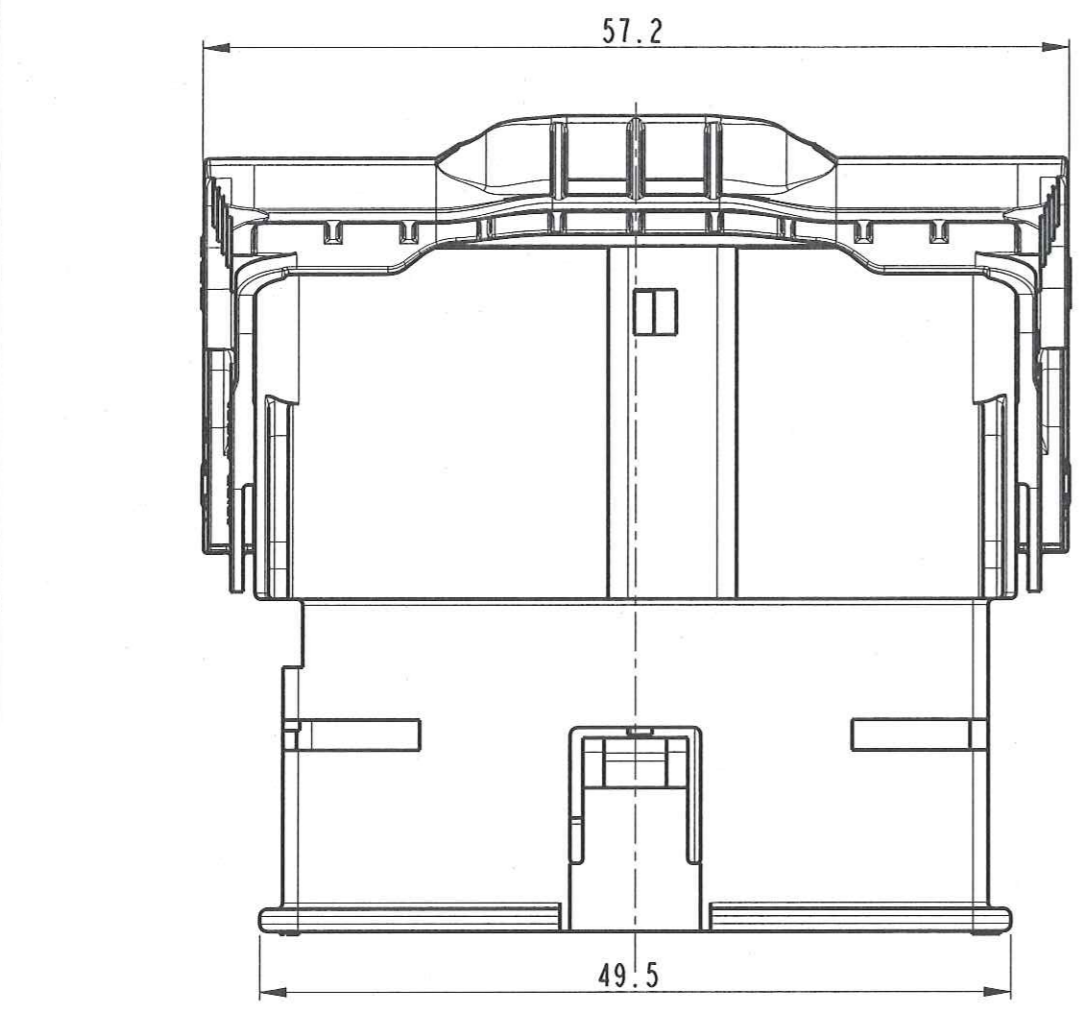


STRICTLY CONFIDENTIAL



SCALE 1:1



NOTE:

- A) Cavity suitable for SICMA 2.8x0.8 mm male terminals
- B) Cavity suitable for 0.64 mm Duo Twin male terminals.
- C) Refer to drawing FSC 310085 for 24way female connector.
- D) Zone suitable to accept the fixing clip.

12-00021	16/02/12	A		Modified Housing and Lever			
10/11	17/05/11	02R		RELEASED FOR PRODUCTION Mold revision not necessary	TD	MC	
	06/03/08	02		Aggiornato vista foglio 2/2	TD	MC	
	05/12/07	01		Variato materiale TPA sicma (era PBTGF15)	T.D.	M.C.	
ECN-NO. NUMERO -ECN	DATE DD/ MM / YY DATA	REVISION REVISIONE	POSITION POSIZIONE	CHANGE DESCRIPTION DESCRIZIONE MODIFICA	DRAWN BY DISEGNATORE	CHK. BY CONTROLLATO	APPR. BY APPROVATO

ITEM	QUANTITY	COMPONENTS DESCRIPTION	MATERIAL	COLOUR
1	1	24 WAY Male Housing	PBT GF30	BROWN or GREEN
2 1sheet 2/2)	1	TPA of SICMA 2.8x0.8 mm terminals	PBT	BLUE
3 1sheet 2/2)	1	TPA of Duo Twin 0.64x0.64 terminals	PBT GF15	RED
4	1	Lever	PA6.6 GF15	RED

PRODUCT SPEC. SPEC. DI PRODOTTO: IPS320
 PACKAGING SPEC. SPEC. DI IMBALLAGGIO: -
 APPLICATION SPEC. SPEC. DI APPLICAZIONE: IPS321, IPS322
 THIS DRAWING AND ALL OTHER INFORMATION CONTAINED THEREIN IS PROPRIETARY AND THE PROPERTY OF FCI. This drawing may not be copied, reproduced or disclosed to any third party without the expressed written permission of FCI. © FCI April 1999

TOLERANCES TOLLERANZE: ± 0.3 mm. / ± 0°
 COUNTERPART Nr. CONTROPARTE Nr.: SEE TABLE SHEET 2/2
 DO NOT SCALE DRAWING DISEGNO FUORI SCALA

DRAWN BY DISEGNATORE: 26/04/07 D. Testa
 CHECKED BY CONTROLLATO: -
 APPROVED BY APPROVATO: 26/04/07 M.C.

MATERIAL: See Table
 COLOUR: See Table
 TOOL NO.: -

SURFACE FINISH FINITURA SUPERFICIALE: -
 LOC. CODE NAZIONALITA': IT

TITLE DESCRIZIONE: 24 WAY MALE CONNECTOR

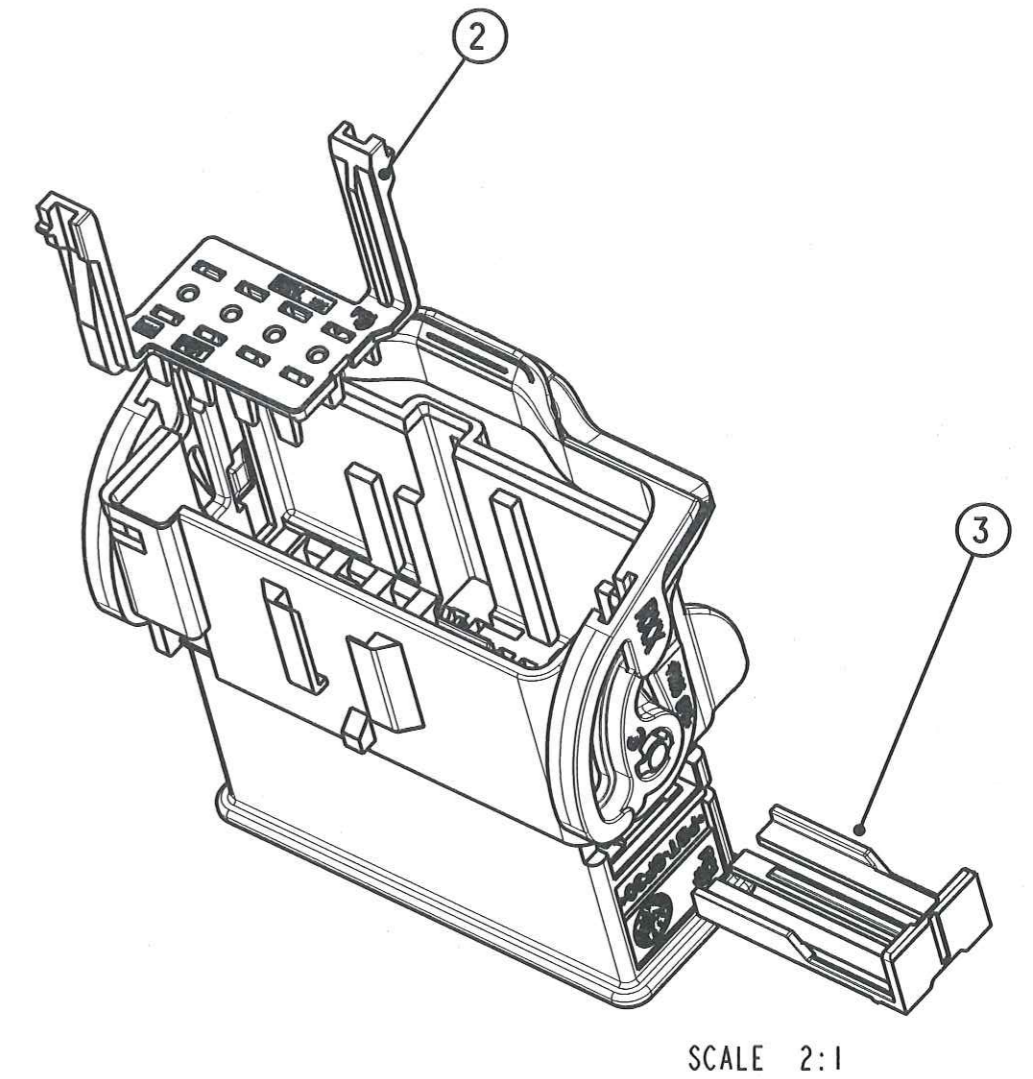
DRAWING NUMBER NUMERO DISEGNO: FSC 310083

FILE NAME NUMERO FILE: See Table

ISO PROJECTION PROIEZIONE ISO: pro / eng.
 DIMENSION IN MILLIMETERS DIMENSIONI IN MILLIMETRI: A3
 SHEET FOGLIO: 1 di 2
 SCALE SCALA: 2:1

STRICTLY CONFIDENTIAL

COMPONENT	P/N		COLOUR	COUNTERPART P/N
MALE HOUSING + LEVER	1 726 24 11		BROWN	1 726 24 10
MALE HOUSING + LEVER	1 726 24 51		GREEN	1 726 24 50
TPA for SICMA	1 726 24 64		BLUE	
TPA for Duo Twin	1 726 24 29		RED	



12-00021	16/02/12	A		Modified Housing and Lever				
10/11	17/05/11	02R		RELEASED FOR PRODUCTION Mold revision not necessary		TD	MC	
	06/03/08	02		Aggiornato vista foglio 2/2		TD	MC	
	05/12/07	01		Variato materiale TPA sicma (era PBTGF15)		T.D.	M.C	
ECN-NO. NUMERO -ECN	DATE DD / MM / YY	REVISION REVISIONE	POSITION POSIZIONE	CHANGE DESCRIPTION DESCRIZIONE MODIFICA		DRAWN BY DISEGNATORE	CHK. BY CONTROLLATO	APPR. BY APPROVATO
PRODUCT SPEC. SPEC. DI PRODOTTO	PACKAGING SPEC. SPEC. DI INBALLAGGIO	APPLICATION SPEC. SPEC. DI APPLICAZIONE	THIS DRAWING AND ALL OTHER INFORMATION CONTAINED HEREIN IS PROPRIETARY AND THE PROPERTY OF FCI. This drawing may not be copied, reproduced or disclosed to any third party without the expressed written permission of FCI. © FCI April 1999		QUESTO DISEGNO ED OGNI ALTRA INFORMAZIONE IN ESSO CONTENUTA SONO ESCLUSIVI E DI PROPRIETA' DELLA FCI. Questo disegno non puo' essere copiato, riprodotto o divulgato a terzi senza l'espresso consenso scritto della FCI. © FCI April 1999			
IP3320	-	IP3321 IP3322	MATERIAL : MATERIALE : See Table		SURFACE FINISH FINITURA SUPERFICIALE -		CAD SYSTEM pro / eng.	
TOLERANCES TOLLERANZE ± 0.3 mm. / ± 0°		COLOUR : COLORE : See table		TOOL NO. -		LOC. CODE NAZIONALITA' IT		
DO NOT SCALE DRAWING DISEGNO FUORI SCALA				DRAWING NUMBER NUMERO DISEGNO		CAD SYSTEM pro / eng.		
DRAWN BY DISEGNATORE	DATE DATA	NAME NOME	TITLE DESCRIZIONE		DRAWING NUMBER NUMERO DISEGNO		SHEET FOGLIO	
CHECKED BY CONTROLLATO	26/04/07	D. Testa	24 WAY MALE CONNECTOR		FSC 310083		2 of 2 di 2	
APPROVED BY APPROVATO	26/04/07	M.C.	ESR NO. NUMERO ESR	CAT. NO. NUMERO CAT.	FILE NAME NONE FILE	SCALE SCALA		

Mouser Electronics

Authorized Distributor

Click to View Pricing, Inventory, Delivery & Lifecycle Information:

[Aptiv:](#)

[17262429](#) [17262464](#) [17262411](#)