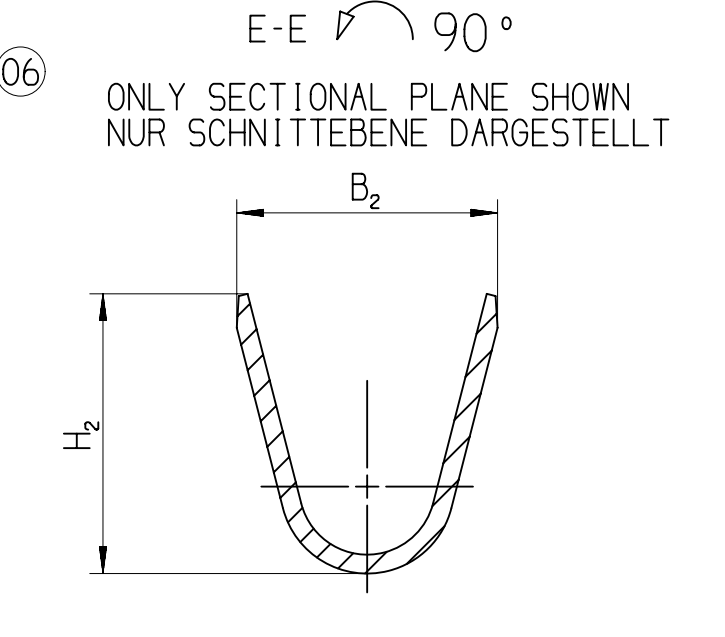
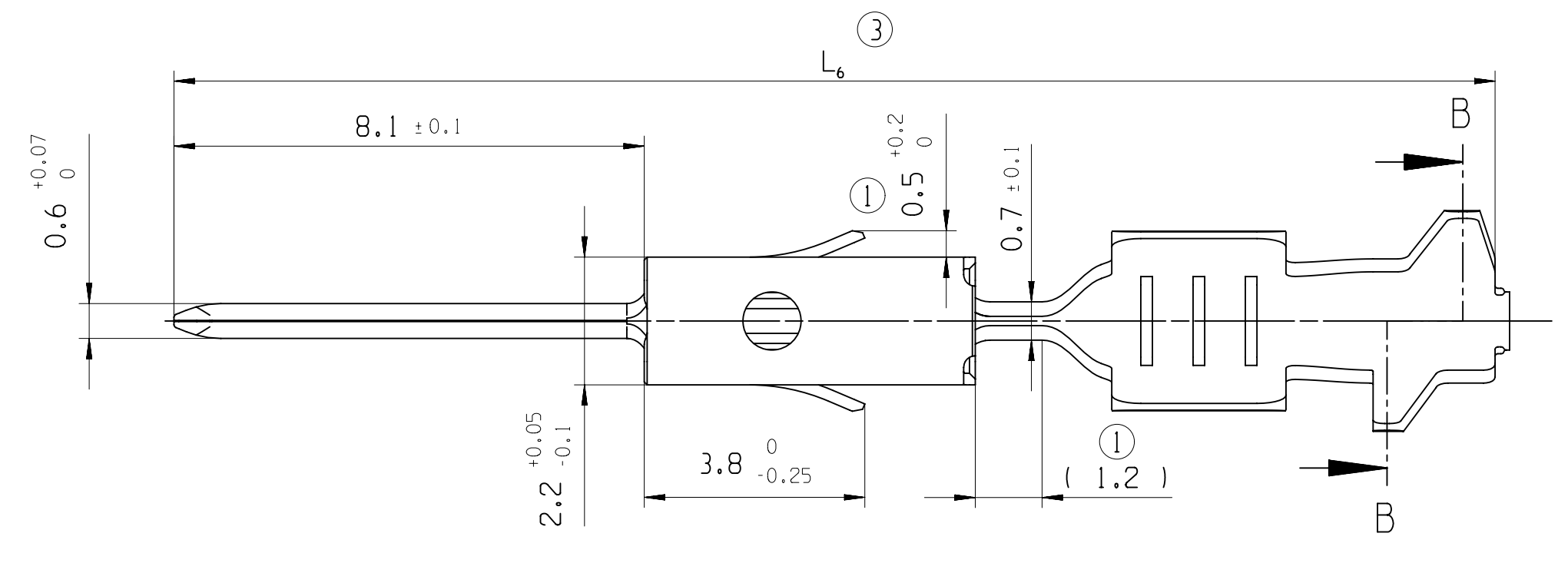
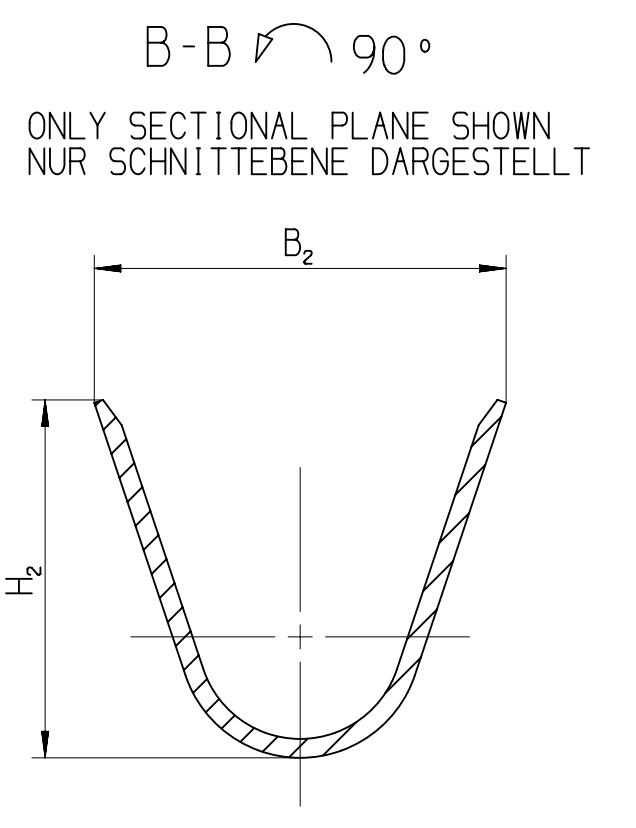
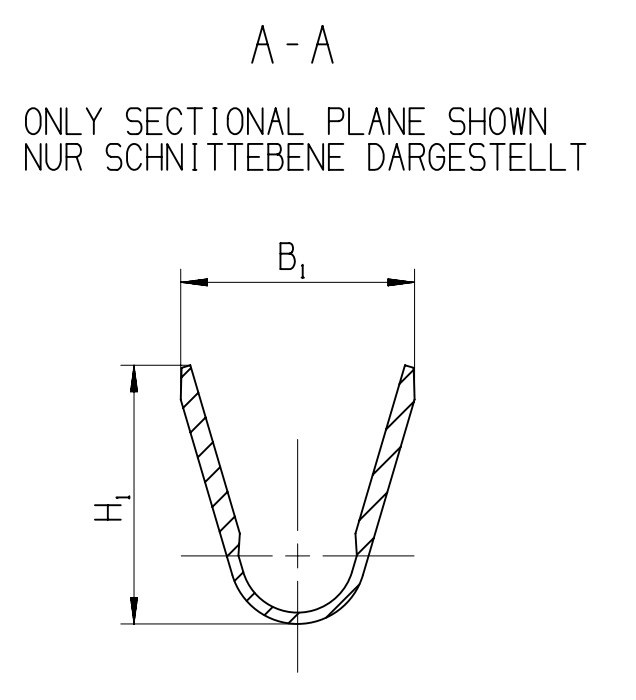
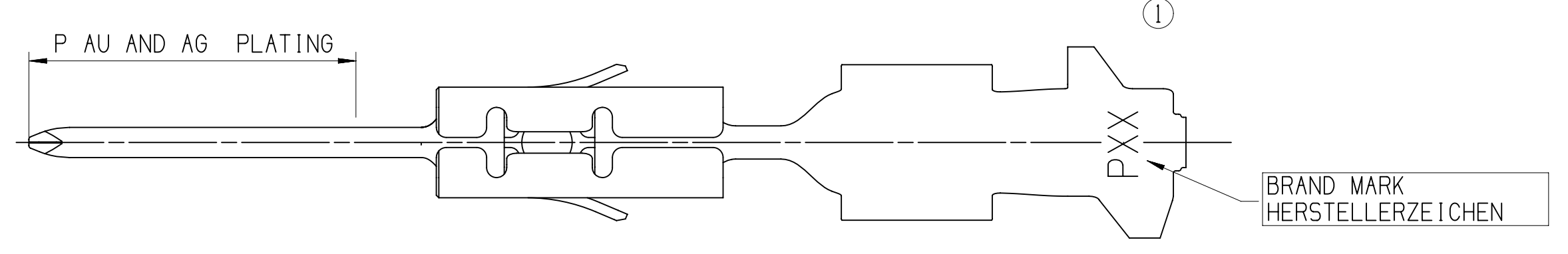
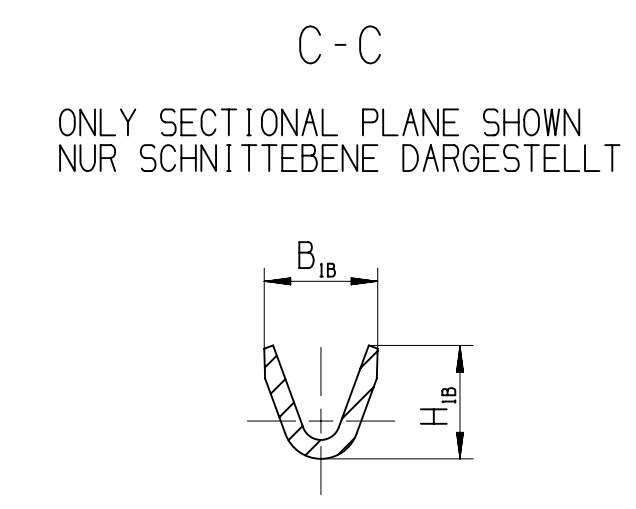
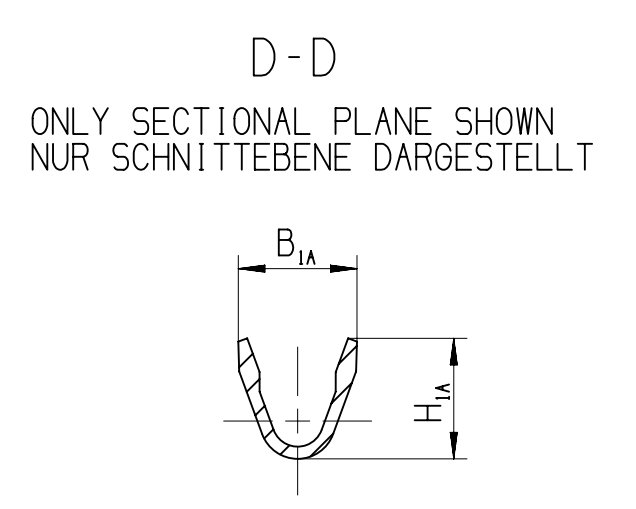
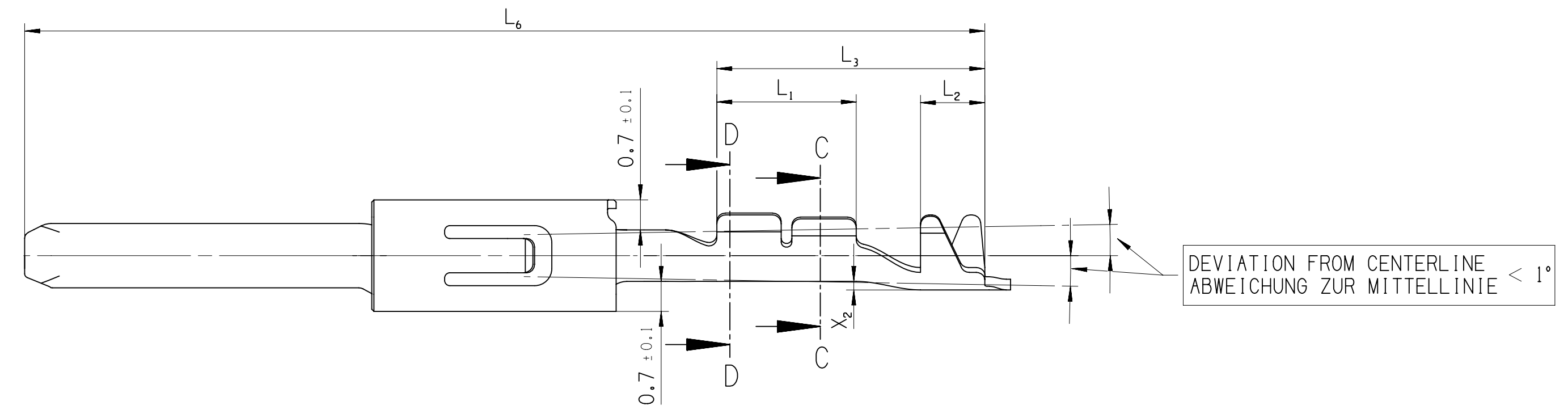


CROSS SECTION QUERSCH. MM²	CABLE LEITUNG Ø	SEAL DICHTUNG CAVITY Ø 3.60	SEAL DICHTUNG CAVITY Ø 4.00
0.35	1.20 - 1.40	15327913	15344938
0.50	1.40 - 1.60	15327913	15344938
0.75	1.70 - 1.90	15327918	15339560
1.00	1.90 - 2.10	15339412	15339560
1.50	2.20 - 2.40		10720807

X ₂ ±0.1	L ₄ ±0.2	L ₁ ±0.1	L ₂ ±0.1	L ₁ ±0.1	H ₂ ±0.2	H _{2a} ±0.2	H _{2b} ±0.2	H _{2c} ±0.2	B ₂ ±0.2	B _{2a} ±0.2	B _{2b} ±0.2	B _{2c} ±0.2	CROSS SECTION QUERSCH. MM²	VERSION
0.20	22.40	6.25	1.50	3.25	1.75	1.50	1.60		1.80	1.50	1.60		0.08-0.18	UNSEALED
0.20	22.75	6.35	2.00	2.50	2.55			1.70	2.30			1.80	0.22-0.35	
0.20	22.75	6.60	2.20	3.00	3.40			2.55	3.10			2.40	0.50-0.75	
0.20	22.75	6.60	2.20	3.00	4.00			3.35	3.75			3.10	1.00-1.50	
0.20	22.75	6.60	1.60	3.00	3.70			2.55	3.45			2.15	0.08-0.18	SEALED
0.80	22.75	6.60	1.95	3.25	4.80	1.50	1.60		5.45	1.50	1.60		0.08-0.18	
0.80	22.75	6.10	2.10	2.60	4.70			1.75	5.45				0.22-0.35	
0.80	22.75	6.60	2.10	3.00	4.70			2.55	5.45			2.40	0.50-0.75	
0.80	22.75	6.50	2.10	3.00	4.70			3.30	5.45			3.10	1.00-1.50	

WIRE-SECTION RANGE/ DRAHT-BEREICH 0.08 - 0.18 MM²



VERSION	CROSS SECTION QUERSCH. MM²	VERSION	CONTACT AREA PLATING BESCHICHTUNG KONTAKTZONE	P (MIN)	PART-NO.	PART REV.	DATE DATUM	
UNSEALED	0.08-0.18		1.2-2.5 μ SN		13733481	01	30AP10	
			0.8μ AU, 2μ NI SUBPLATED	6.50	13988133	01	24MY13	
	0.22-0.35		(3) 1.2-2.5 μ SN		15396711	01	10MY05	
			0.8μ AU, 2μ NI SUBPLATED	6.50	15482338	01	10MY05	
SEALED	0.50-0.75		1.2-2.5 μ SN		15396712	01	10MY05	
			0.8μ AU, 2μ NI SUBPLATED	6.50	15482339	01	10MY05	
	1.00-1.50		1.2-2.5 μ SN		15482337	01	10MY05	
			0.8μ AU, 2μ NI SUBPLATED	6.50	15482340	01	10MY05	
SEALED	0.08-0.18		1.2-2.5 μ SN		15396713	01	01JAN17	
			0.8μ AU, 2μ NI SUBPLATED	6.50	15482341	01	01JAN17	
	0.22-0.35		1.2-2.5 μ SN		35175259	01	29JAN18	
			1.2-2.5 μ SN		15482323	01	10MY05	
	0.50-0.75		1.2-2.5 μ SN		33118031	01	18SE13	
			0.8μ AU, 2μ NI SUBPLATED	6.50	15482326	01	10MY05	
	1.00-1.50		1.2-2.5 μ SN		33118034	01	18SE13	
			0.8μ AU, 2μ NI SUBPLATED	6.50	15482327	01	10MY05	
	SEALED	0.08-0.18		1.2-2.5 μ SN		13894085	01	27JUL11
				2μ AG, 1μ NI SUBPLATED	6.50	33120088	01	18SE13
		0.22-0.35		1.2-2.5 μ SN		15482325	01	10MY05
				2μ AG, 1μ NI SUBPLATED	6.50	13894097	01	27JUL11

KEY PRODUCT CHARACTERISTICS				
SAFETY/COMPLIANCE	FIT/FUNCTION	TOTAL ON DRAWING	0	
S/C CHECKPOINTS	F/F CHECKPOINTS	LAST NO. USED	0	
NO & TYPE	DESCRIPTION	RATIONALE	PTS	ZONE

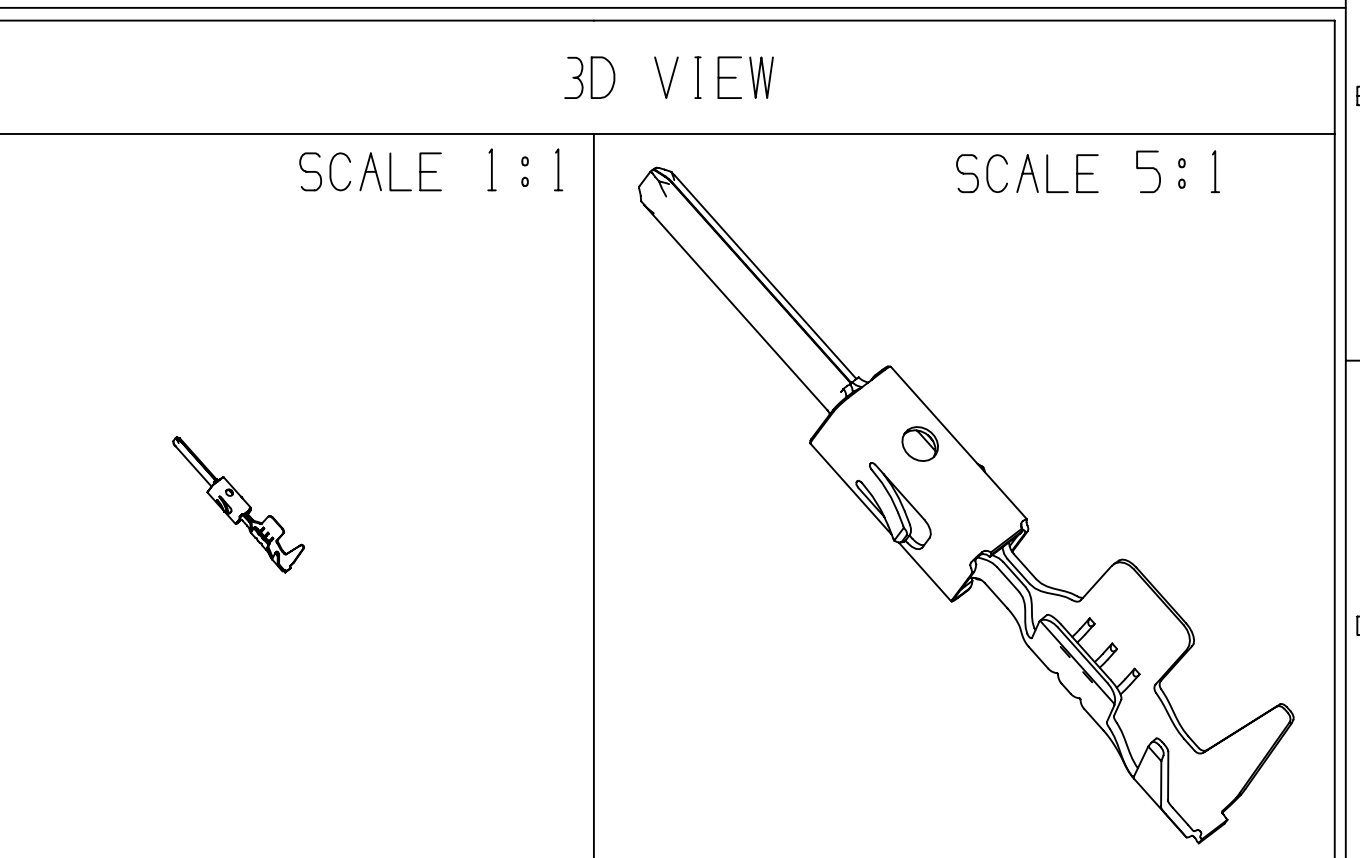
REMARKS:

- DIMENSIONS IN MILLIMETER
- CRIMP DESIGN TO FIT CABLE TYPE FLR
- BASE MATERIAL CUFE2P; CW107C; C19400
- CRIMP MIN. 1.2μ SN PLATED; FREE OF NI
- SLEEVE MATERIAL X10CRN118B; EN 10151
- TERMINAL-CAVITY ACCORDING DELPHI SPECIFICATION
- M: MODIFIED
- RETENTION FORCE SLEEVE TO BODY IN WITHDRAWAL DIRECT MINIMUM 110N

BEMERKUNGEN:

- MASSE IN MILLIMETER
- CRIMP GEOMETRIE PASSEND FUER LEITUNG TYP FLR
- BASISMATERIAL CUFE2P; CW107C; C19400
- CRIMP MIN. 1.2μ SN BESCHICHTET; FREI VON NI
- UEBERFEDERMATERIAL X10CRN118B; EN 10151
- KONTAKTKAMMER ENTSPRECHEND DELPHI SPEZIFIKATION
- M: MODIFIZIERT
- HALTEKRAFT UEBERFEDER AUF BASISTEIL IN ABZUGRICHTUNG MIN. 110N

DIMENSIONAL TOLERANCE (MM)	CHART D
FROM 0 TO >12	±0.1
TOLERANCE UNLESS OTHERWISE SPECIFIED	±0.2
THEORETIC DIM	±0.2
THEORETIC MASS	±0.2



APTIV
CONNECTION SYSTEMS
Chennai, India

APRIL, ALL RIGHTS RESERVED.

THIS DRAWING IS THE PROPERTY OF APTIV AND CONTAINS APTIV CONFIDENTIAL INFORMATION. THE REPRODUCTION, DISTRIBUTION AND UTILIZATION OF THIS DOCUMENT OR ITS RELATED CAD DATA, AS WELL AS COMMUNICATION OF ANY CONTENT TO OTHERS, WITHOUT EXPRESS AUTHORIZATION, IS PROHIBITED.

DESE ZEICHNUNG IST EIGENTUM DER FIRMA DELPHI UND ENTHAELT DELPHI VERTRAULICHE INFORMATIONEN, DIE REPRODUKTION, VERTEILUNG UND NUTZUNG DIESER DOKUMENTE ODER DIESER ZUEHRENGEN CAD DATEN, ODER ALLES ALS KOMMUNIKATION VON BELEBENEN INHALT ZU ANDEREN, IST OHNE BEZUEHRIGKEITSPREIFUNG DURCH DIE DELPHI CORPORATION UNKLAESSIG.

DR	DATE
FRIMMERSDORF	10MY05
CVASA	10MY05
WISNIEWSKI	16JUN05

DRAWING NAME: MALE TERMINAL TTS 1.5 X 0.6 UNSEALED AND SEALED

STIFTKONTAKT TTS 1.5 X 0.6 UNGEDICHTET UND GEDICHTET

DRAWING NUMBER: 15396739

SIZE: A0 SCALE: 10:1 FRAME NO: 1 OF 1 SHEET NO: 1 OF 1 REV: 06

Time: 19:02:19

Mouser Electronics

Authorized Distributor

Click to View Pricing, Inventory, Delivery & Lifecycle Information:

[Aptiv:](#)

[15396712](#) [15396712-L](#)