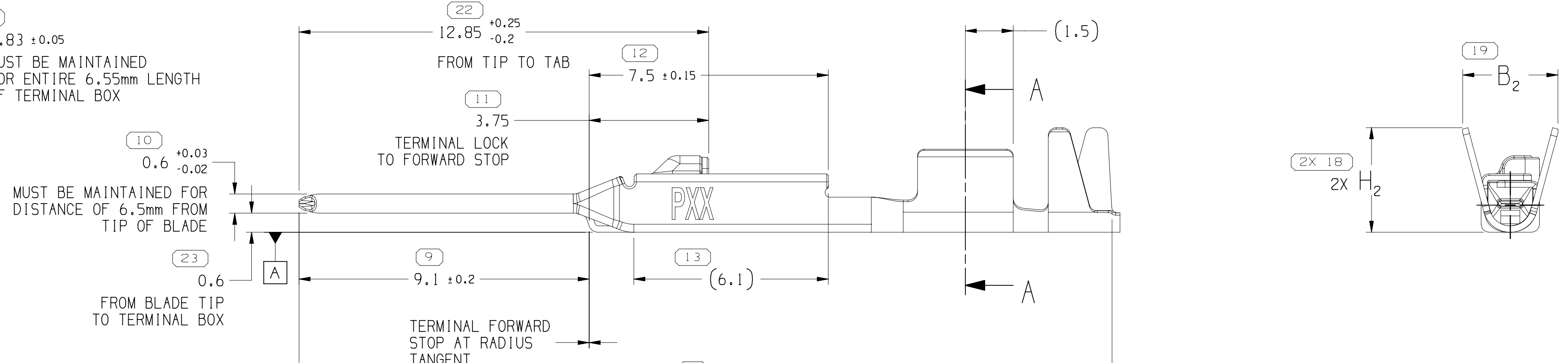
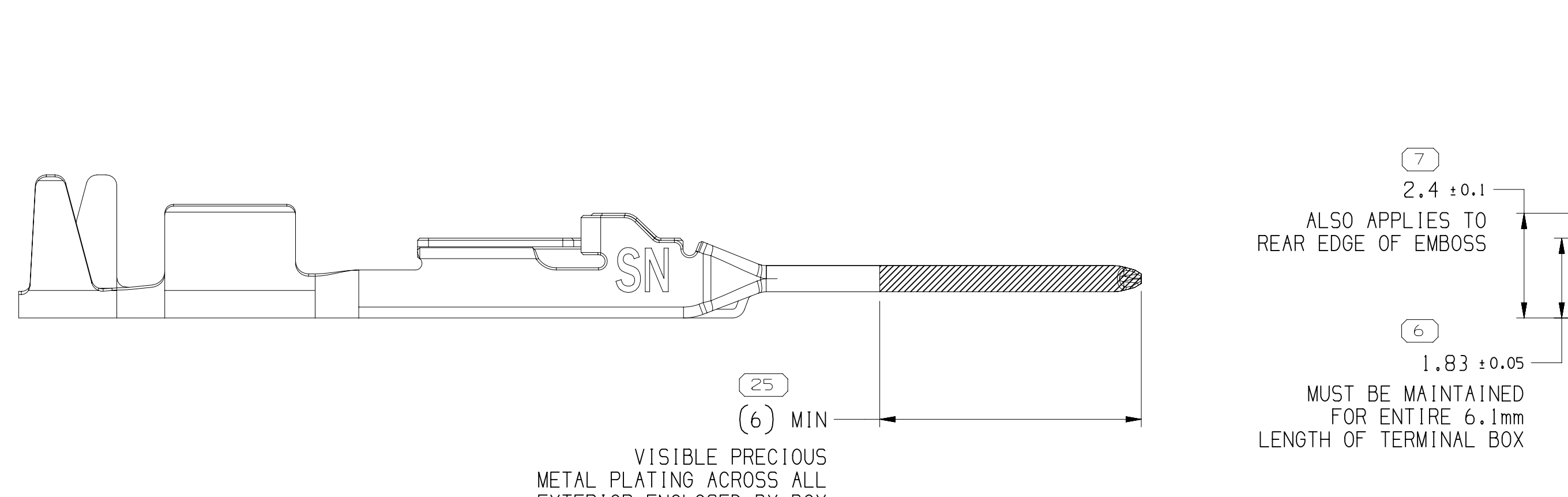
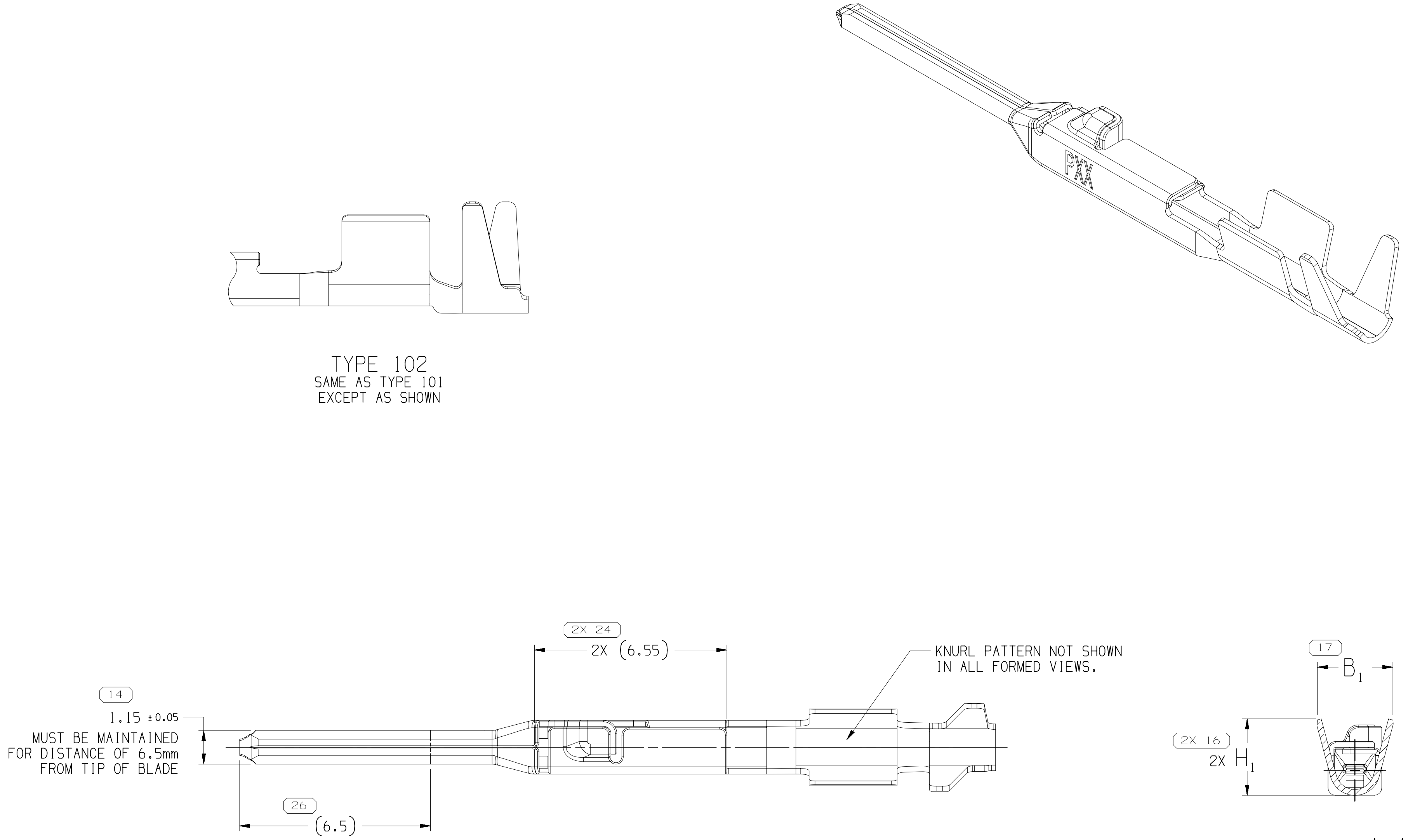


SYMBOL DEFINITION		TOTAL NO OF INSPECTIONS REQUIRED	MISSING SYMBOLS NO MISSING SYMBOL NUMBER
A	A DIMENSION WITHOUT AN INSPECTION REPORT SYMBOL DOES NOT REQUIRE INSPECTION. IT MAY BE CONTROLLED ON THE INDIVIDUAL COMPONENT DRAWING.	32	
B		26	

DWG STATUS				ZONE	REVISION HISTORY		AUTH	DR	APVD	REV
DATE	STG	REV	N/P	CHG						
25JA19	R	01	-	-		ALL PARTS: RELEASED PART DRAWING	441143	ES	ES	RS
28FE19	R	02	-	-		35271144 & 35271144 - CORRECTED "CABLE I.D." INFO ON CHART; ALL PARTS - UPDATED PDM ATTRIBUTES	442564	CGD	CGD	RS
14MR19	R	03	-	-		ALL PARTS - UPDATED PDM ATTRIBUTES	442710	JS	JS	RS
09MY19	R	04	-	-		ALL PARTS - UPDATED PART AVAILABILITY	443236	CGD	CGD	RS



NOTES

- UNLESS OTHERWISE SPECIFIED AND/OR INDICATED:
DIMENSIONS ARE TO FACE OF VIEW SHOWN AND AUTOMATICALLY ROUNDED BY COMPUTER FOR INSPECTION (SEE MATH MODEL FOR PRECISE DIMENSIONS). FOR ALL OTHER DIMENSIONS NOT SHOWN BUT REQUIRED FOR TOOL BUILD, SEE MATH MODEL FOR PRECISE TOOL PATH DATA.
- FOR TYPE 101 WITH CABLE SIZES UP TO 1.9mm O.D.; MAXIMUM INSULATION CRIMP WIDTH OF 1.9mm AND HEIGHT 1.9mm; MAXIMUM CORE CRIMP WIDTH IS 1.9mm.
FOR TYPE 101 WITH CABLE SIZES GREATER THAN 1.9mm BUT LESS THAN 2.34mm O.D.; MAXIMUM INSULATION CRIMP WIDTH OF 2.25mm AND HEIGHT 2.35mm; MAXIMUM CORE CRIMP WIDTH IS 1.9mm.
FOR TYPE 102 WITH CABLE SIZES UP TO 2.4mm O.D.; MAXIMUM INSULATION CRIMP WIDTH OF 2.6mm AND HEIGHT 2.6mm; MAXIMUM CORE CRIMP WIDTH IS 1.9mm.
- PLATING TYPE:
I. REFLOW TIN 1.9 - 3.3 MICROMETERS THICK OVER NICKEL UNDERPLATE 0.13 - 0.5 MICROMETERS THICK.
II. SILVER 1.0 - 2.0 MICROMETERS THICK OVER NICKEL UNDERPLATE 0.127 - 0.254 MICROMETERS THICK.
III. MATTE TIN 1.9 - 7.0 MICROMETERS THICK OVER NICKEL UNDERPLATE 0.127 - 0.254 MICROMETERS THICK.
(FOR USE WITH SELECTIVE SILVER PLATING SPECIFICATION)
- PLATING TYPE INFORMATION SHOWN ABOVE IS REFERENCE ONLY. PLATING REQUIREMENTS ARE CONTAINED IN APPLICABLE MATERIAL SPECIFICATION.
- MAXIMUM CURRENT CAPACITY AS DEFINED BY USCAR-2 R6 SECTION 5.3.3 IS 16.5 AMPS WITH 1.5mm² COPPER CABLE.
- * DENOTES DIMENSIONS MADE AT CUT-OFF AND CRIMP DIE
- REFERENCE MATING COMPONENTS OR EQUIVALENTS: TERMINAL 35072409
- PARTS MEET THE PERFORMANCE REQUIREMENTS OF 6MW3191 JUNE 2012 AND SAE/USCAR-2 R6 REVISION FOR THE FOLLOWING CLASSIFICATIONS:
TEMPERATURE CLASS 3 (-40° TO 125° C)
VIBRATION CLASS 1 (ON BODY OR CHASSIS)
SEALING CLASS 1 (UNSEALED) FOR CABLE I.D. 25 & 15
SEALING CLASS 2 OR 3 (SEALED CONNECTOR DEPENDENT) FOR CABLE I.D. 21 & 18
- FOR TERMINALS PACKAGED & STORED IN THE APPROVED MANNER, TARNISH ON SILVER PLATED SURFACES WILL NOT AFFECT THE PERFORMANCE OF THE PART.
- 15 CABLE I.D. P/N IS NOT APPROVED FOR USE IN SUMITOMO CONNECTOR HOUSINGS - THE TERMINAL-CONNECTOR POLARIZATION FEATURE IN THE CONNECTOR CAVITY DOES NOT MEET REQUIREMENTS.

PART NO	REV	N/P	CABLE I.D. STATUS	TYPE	MAT'L SPEC	MAT'L SIZE	CONTACT AREA PLATING TYPE (SEE NOTE #3)	CRIMP AREA PLATING TYPE (SEE NOTE #3)	CONTACT PLATING I.D.	CABLE I.D.	CABLE SIZE (mm ²) COPPER	CABLE DIAMETER	B ₁ ±0.15	B ₂ ±0.25	B ₄	(H ₁)	(H ₂)
35267295	01	AC		101	TIN PLATED COPPER ALLOY	0.2 X 29.5	I	I	SN	21	0.35 - 0.5	1.2 - 1.83	2.1	2.85	1.88	2.05	3.15
35267294	01	AC		101	TIN PLATED COPPER ALLOY	0.2 X 29.5	I	I	SN	18	0.75 - 1.0	1.7 - 2.34	2.6	3	1.88	2.6	3.3
35267293	01	AC	SEE NOTE #9	102	TIN PLATED COPPER ALLOY	0.2 X 29.5	I	I	SN	15	1.25 - 1.5	1.8 - 2.4	3.1	3.9	2.2	3.1	3.8
35271146	01	AC		101	SILVER PLATED COPPER ALLOY	0.2 X 29.5	II	III	AG	21	0.35 - 0.5	1.2 - 1.83	2.1	2.85	1.88	2.05	3.15
35271145	01	AC		101	SILVER PLATED COPPER ALLOY	0.2 X 29.5	II	III	AG	18	0.75 - 1.0	1.7 - 2.34	2.6	3	1.88	2.6	3.3
35271144	01	AC	SEE NOTE #9	102	SILVER PLATED COPPER ALLOY	0.2 X 29.5	II	III	AG	15	1.25 - 1.5	1.8 - 2.4	3.1	3.9	2.2	3.1	3.8

DIMS TYPE		PART DRAWING	
STYLE		DISTR CODE	D
VOLUME (CM)			

APTIV
CONNECTION SYSTEMS
WARREN, OH
COPYRIGHT 2018 APTIV. ALL RIGHTS RESERVED.
THIS DRAWING IS THE PROPERTY OF APTIV AND CONTAINS APTIV CONFIDENTIAL INFORMATION. THE REPRODUCTION, DISTRIBUTION AND UTILIZATION OF THIS DOCUMENT OR ITS RELATED CAD DATA, AS WELL AS COMMUNICATION OF ANY CONTENT TO OTHERS, WITHOUT EXPRESS AUTHORIZATION, IS PROHIBITED.

DR	DATE
E. SHASTEEN	010C18
E. SHASTEEN	25JA19
R. SNADER	25JA19

UNLESS OTHERWISE SPECIFIED
THIS DOCUMENT IS IN ACCORDANCE WITH ASME Y14.5M-1994 AS MODIFIED BY THE 0M GLOBAL DIMENSIONING AND TOLERANCING ADDENDUM 2003. SEPARATE PATTERNING OF FEATURES MAY BE MADE SEPARATELY REGARDLESS OF DATUM REFERENCES.

ALL DIMENSIONS ARE IN MILLIMETERS

DIMENSIONAL RANGE (MM)		CHART ID
FROM	0	> 12
TO	12	13
TOLERANCE UNLESS OTHERWISE SPECIFIED	±0.1	±0.2
ANGULAR TOLERANCE	±2°	

THIRD ANGLE PROJECTION
DO NOT SCALE
USE MATH DATA

SIZE	SCALE	FRAME NO	SHEET NO	STG	REV	NOF
A0	10:1	1	1	1	R 04	1

DRAWING NAME: TAXI TERM M OCS 1.2 SEALED
DRAWING NUMBER: 35304662

15-May-19 15:41:01

Mouser Electronics

Authorized Distributor

Click to View Pricing, Inventory, Delivery & Lifecycle Information:

[Aptiv:](#)

[35267293](#)