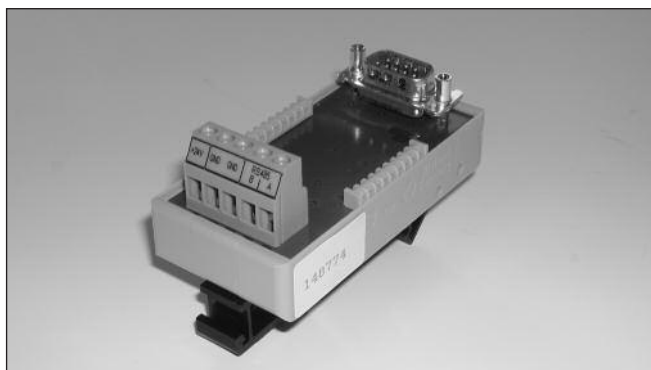


Ultrasonic Converter, RS232 to RS485 Type UCC



- Conversion of RS232 signals to RS485
- No galvanic isolation
- Power supply 24 VDC \pm 20%
- Up to 1000 m transmission distance

Product Description

Converter for ultrasonic sensors with RS485 communication. Conversion of RS485 signals from the sensor are converted to RS232 signals and vice versa. Termination is by screw terminals for RS485 and by 9-pin D-sub for RS232.

Ordering Key

UC C

Ultrasonic sensor _____
 Housing style _____
 Converter _____

Type Selection

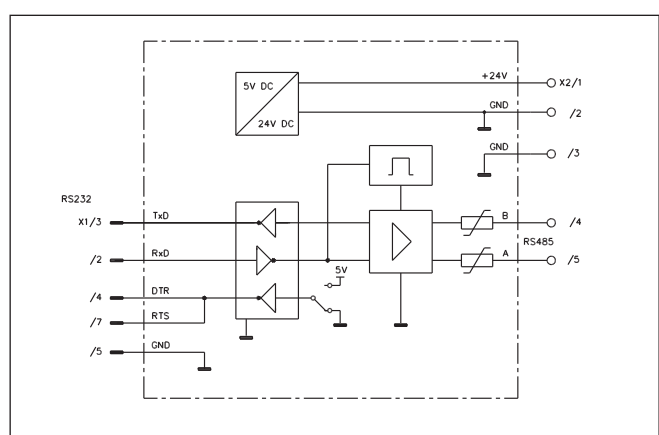
Housing dimensions	Connection
38.5 x 80.5 mm	Screw terminals and D-Sub, 9-poles

Ordering no.
UCC

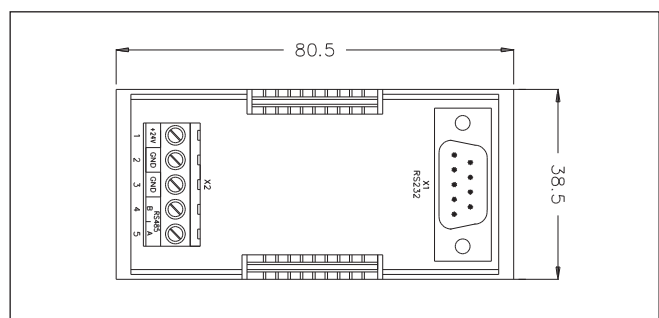
Specifications

Rated operational volt. (U_e)	24 VDC \pm 20% (ripple included)
Ripple	\leq 10%
Current consumption	approx. 10 mA
Input	RS 232, D-Sub connector, 9 poles
Output	RS 485, screw terminals
Ambient temperature Operating	0° to +50°C (32° to +122°F)
Distance of transmission	max. 1000 m
Housing material	Plastic
Housing dimensions	38.5 x 80.5 mm
Connection	9-pole D-Sub (RS232) and screw terminals (RS 485 and power supply)

Wiring Diagram



Dimensions



Mouser Electronics

Authorized Distributor

Click to View Pricing, Inventory, Delivery & Lifecycle Information:

[Carlo Gavazzi:](#)

[UCC](#)