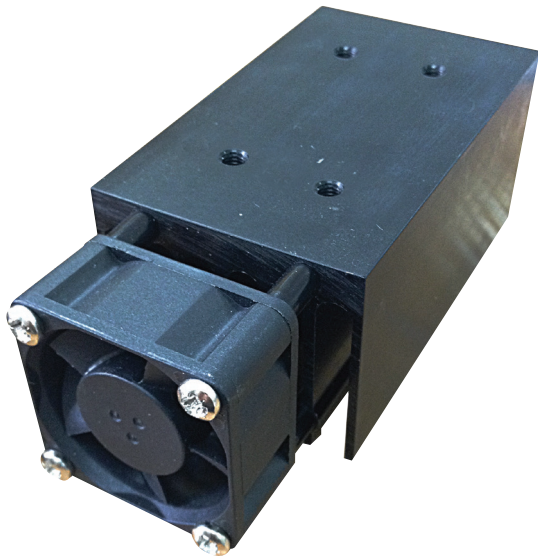


RHS542F40-24



Accessories: Heatsinks



Main features

- 0.65°C/W thermal resistance
- Suitable for mounting of 2x 1-phase SSRs
- DIN rail mounting
- Suitable for panel mounting
- Dimensions W x H x D: 54 x 135 x 51 mm
- RoHS compliant

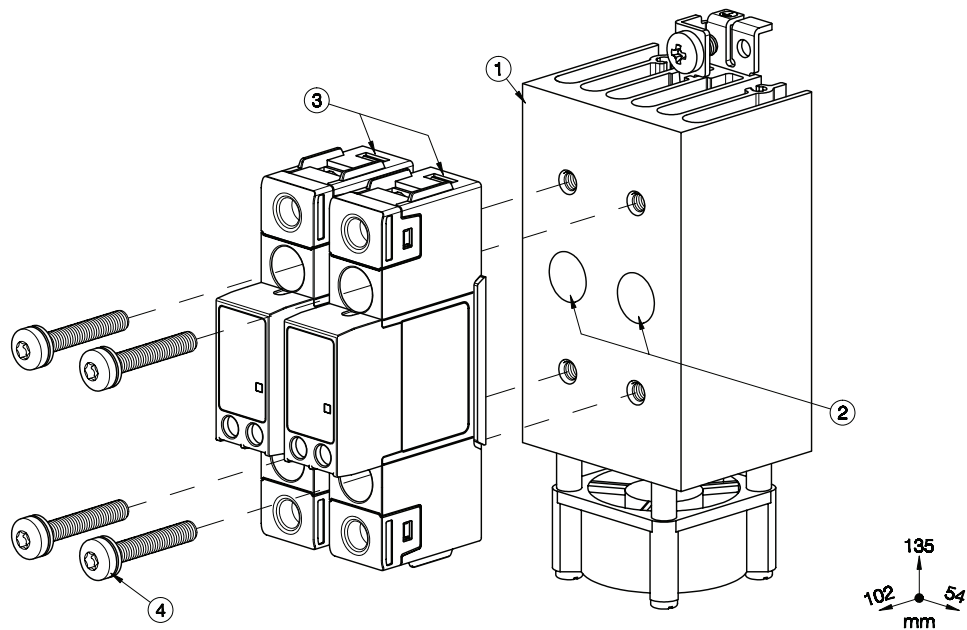
Description

Heatsink assembly, including fan, suitable for mounting of maximum 2x 1-phase solid state relay (SSRs).

Suffix H68 added to SSR part no. refers to factory mounted heatsink. Conditions apply. Please ask your sales representative for further details.

Structure

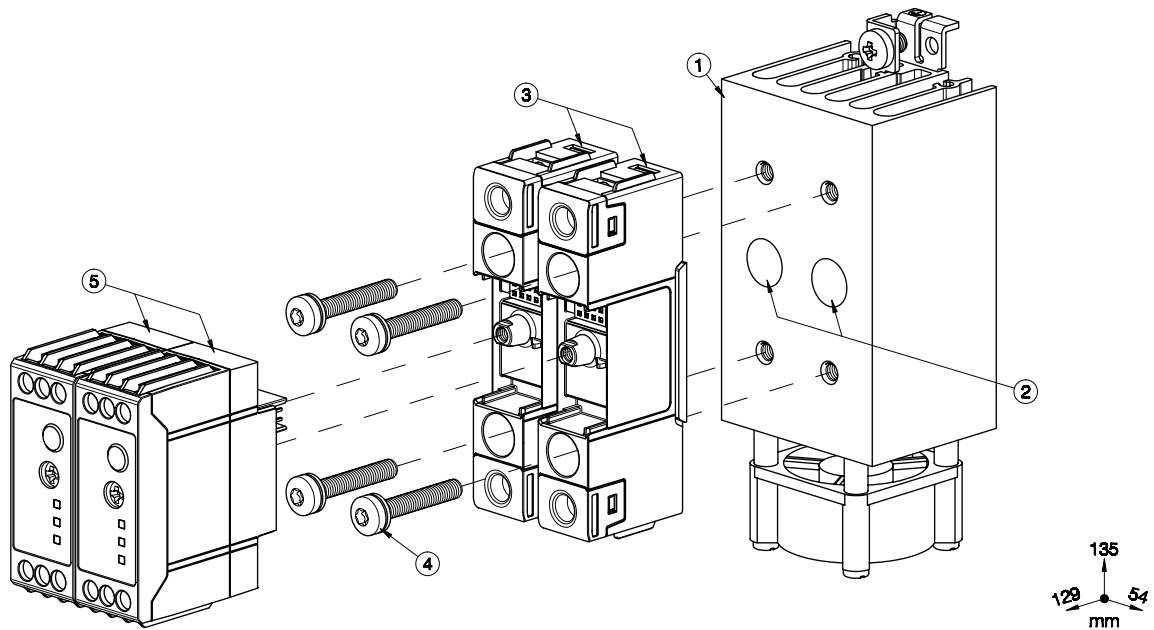
RGS1 18mm Module



Element	Component	Qty	RHS542F
1	RHS542F heatsink assembly	1	Provided
2	Thermal Compound HTS02S	1	Provided
3	RGS1 SSR 18x90mm (max.)	1	Not provided
4	M5x30mm Torx T20 + Washer (per SSR)	2	Provided (x4)

Note:
Dimensions including the SSR.

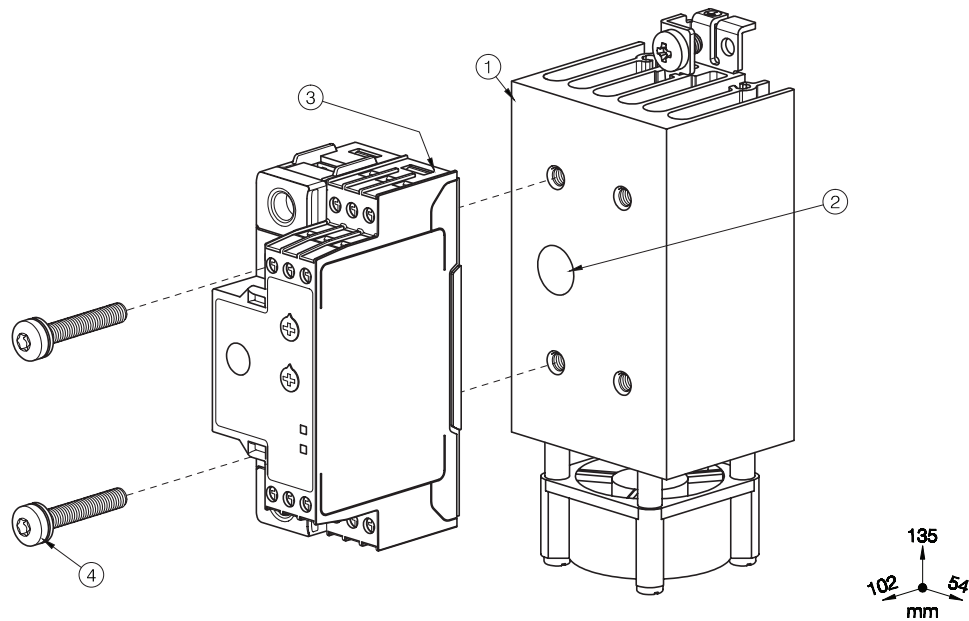
RGS1 22.5mm Module



Element	Component	Qty	RHS542F
1	RHS542F heatsink assembly	1	Provided
2	Thermal Compound HTS02S	1	Provided
3	RGS1 Power Module 18x90mm	1	Not provided
4	M5x30mm Torx T20 + Washer (per SSR)	2	Provided (x4)
5	RGS1S Control Module 22.5x65mm	1	Not provided

Note:
Dimensions including the SSR.

RGS1P 35mm Module



Element	Component	Qty	RHS542F
1	RHS542F heatsink assembly	1	Provided
2	Thermal Compound HTS02S	1	Provided
3	RGS1P SSR 35x90mm	1	Not provided
4	M5x30mm Torx T20 + Washer (per SSR)	2	Provided (x4)

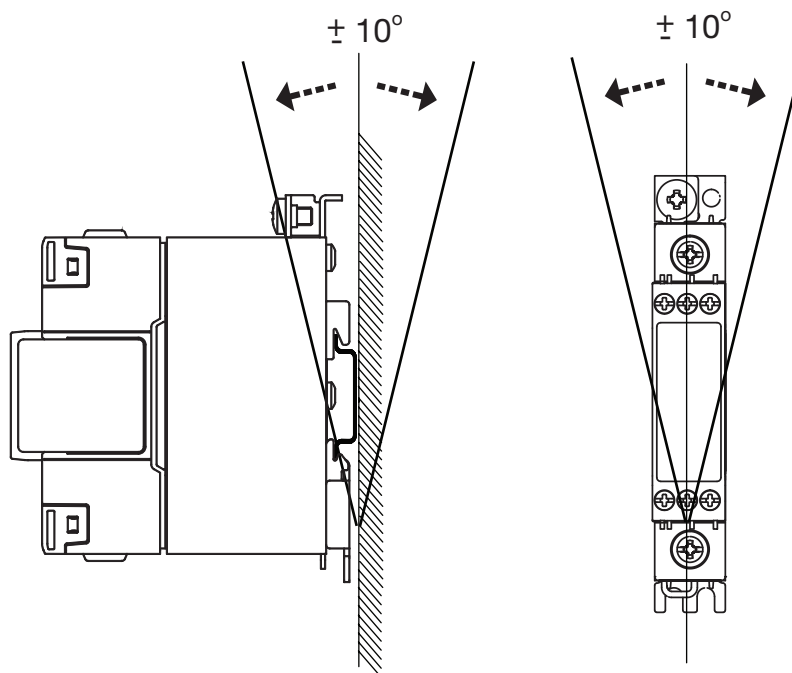
Note:
Dimensions including the SSR.

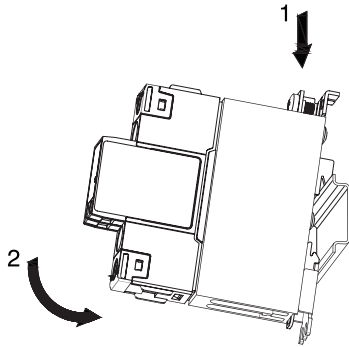
Features

General

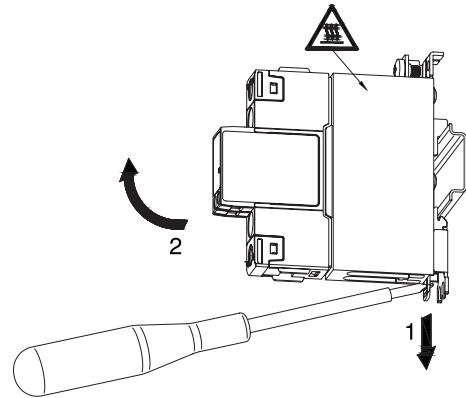
SSR max. mounting torque	1.5Nm (13.3 lb-in)
PE screw (Not provided with assembly)	M5, max. 1.5Nm (13.3 lb-in)
Weight (excl. SSR)	approx. 430g
Material	Aluminium
Finish	Black anodization
Fan mounting	Integrated
Fan supply voltage	24 VDC
Power consumption	max. 0.92 Watts
Current consumption	33 mA

Mounting position



Installation**Fig. 1** *Mounting on DIN rail*

Illustrations are for example only.

**Fig. 2** *Dismounting from DIN rail*

Recommended maximum current rating (per SSR)

1. The below recommendations are only valid when the assembly (SSR + heatsink) is mounted as shown in the mounting instructions unless otherwise indicated.
2. The indicated ratings are applicable to one SSR, one pole. Please refer to the online selector tool at www.productselection.net for different load currents, surrounding temperatures or multiple units on one heatsink.
3. These recommendations are applicable only with the indicated Carlo Gavazzi thermal interface material between SSR and heatsink. In case a different thermal interface is utilised these recommendations may no longer be valid.

Thermal compound, HTS02S

1x 1-phase SSR	Surrounding temperature						
	°C °F	20 68	30 86	40 104	50 122	60 140	70 158
RGS1..E RGS1P..E*	25	25	25	25	25	25	25
	50	50	50	46	41	36	31
	51	50	49.5	45	40.5	36	31
	75	59	56.5	51	45.5	40	34
	90 91 92	62.5	59.5	54	48.5	42.5	36
RGS1..U	20	20	20	20	20	20	20
	30	30	30	30	30	30	30
RGS1S..E	20	23	23	23	23	23	23
	30	30	30	30	30	30	30
	31	30	30	30	30	30	30
	92	62.5	59.5	54	48.5	42.5	36
RGS1D..	15	15	15	15	15	15	15
	25	25	25	25	23	20.5	18

* 1x 1-phase SSR


Thermal pad, RGHT

1x 1-phase SSR	Surrounding temperature						
	°C °F	20 68	30 86	40 104	50 122	60 140	70 158
RGS1..E RGS1P..E*	25	25	25	25	25	25	21.5
	50	43.5	41.5	37.5	33.5	29.5	25
	51	42.5	41	37	33.5	29.5	25
	75	49	46.5	42	37.5	32.5	28
	90 91 92	51.5	49.5	44.5	39.5	34.5	29.5
RGS1..U	20	20	20	20	20	20	20
	30	30	30	30	30	29.5	25
RGS1S..E	20	23	23	23	23	23	23
	30	30	30	30	30	29.5	25
	31	30	30	30	30	30	29.5
	92	51.5	49.5	44.5	39.5	34.5	29.5
RGS1D..	15	15	15	15	15	15	13.5
	25	22.5	21.5	20	18	16	13.5

* 1x 1-phase SSR



References

CARLO GAVAZZI compatible components

Purpose	Component name/code	Notes
Thermal pads	RGHT	Packing qty. 10 pcs, suitable for RG SSRs
Thermal compound	HTS02S	2ml syringe of silicone based thermal compound
Fans	RHSF40-24	24 VDC, 40x40mm
Screw Kits	SRWKITM5X30MM	Packing qty. 20 pcs.

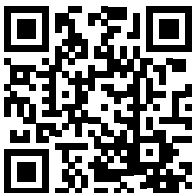
Further reading

Information	Where to find it
Online heatsink selector tool	http://www.productselection.net/heatsink/heatsinkSelector.php?LANG=UK
Accessories	http://www.productselection.net/Pdf/UK/SSR_Accessories.pdf

Order code



RHS542F40-24



COPYRIGHT ©2016
Content subject to change. Download the PDF: www.productselection.net

Mouser Electronics

Authorized Distributor

Click to View Pricing, Inventory, Delivery & Lifecycle Information:

[Carlo Gavazzi:](#)

[RHS542F40-24](#)