

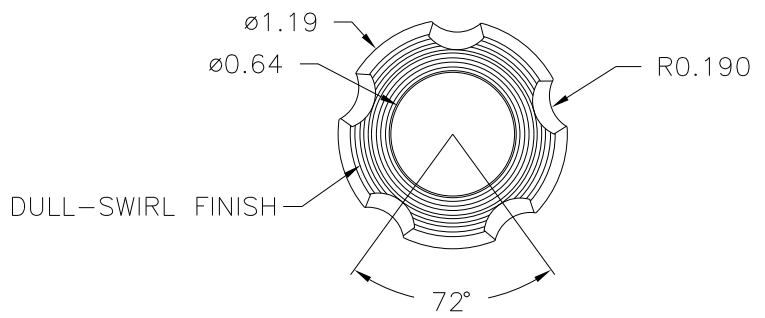
PART NAME: KNOB SCALE: 1:1 DATE: 10/31/97 DR. BY HD

THIS DRAWING IS THE PROPERTY OF DAVIES MOLDING COMPANY, IS SUBMITTED SOLELY AS A DESIGN OR ENGINEERING PROJECT. WE ACCEPT NO RESPONSIBILITY WHATSOEVER FOR THE PRACTICAL APPLICATION OF THE PIECES MADE TO THIS DESIGN.

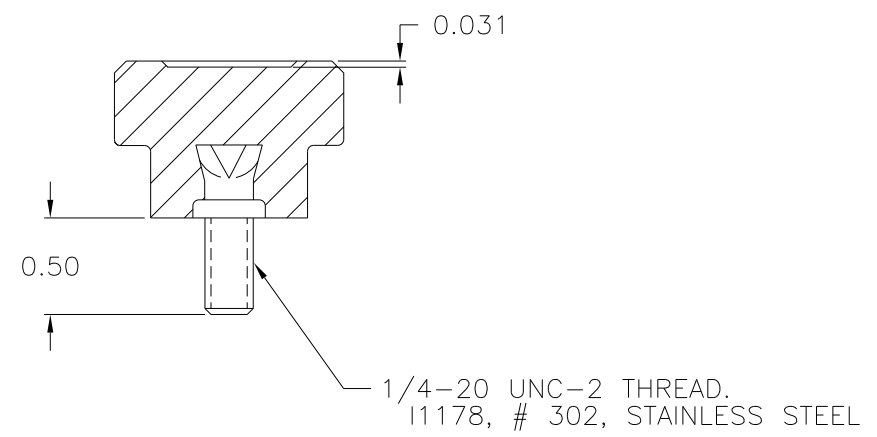
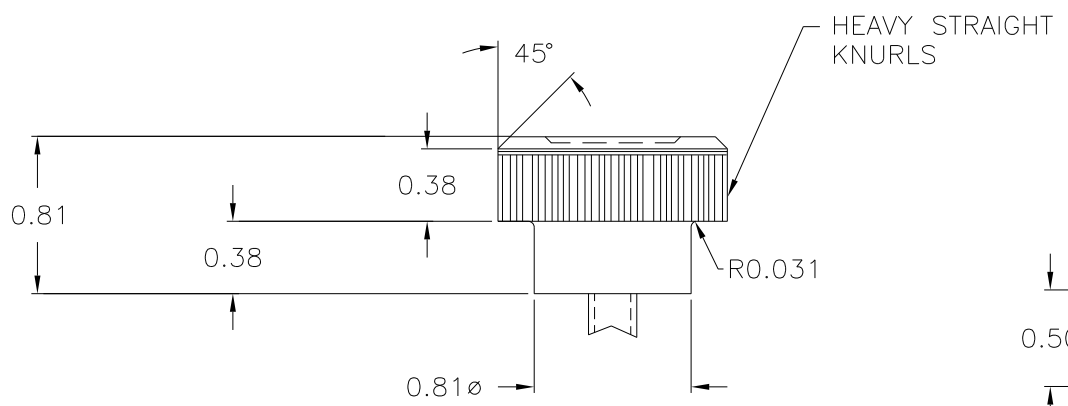


DESIGNERS & MANUFACTURERS OF KNOBS, HANDLES, CASES & CUSTOM PLASTIC COMPONENTS

P/N	2860AP
M NO.	3025-2
CAVITY	2860
PLUNGER	2860
PLUNGER PIN	2860
CAV.PLUG	2860
PIN	3025-1
INSERT	11178
CAVITY KEY	1/4+1/4+1/2
Ⓐ PLUNGER KEY	1/4+1/4+1/2



MUST BE USE # 3025-2 MOLD FRAME



MATERIAL: G.P. PHENOLIC (B11)  
COLOR: BLACK

TOLERANCES: UNLESS OTHERWISE SPECIFIED	DO NOT SCALE DRAWING				
DECIMALS: X.XXX ± .005 X.XX ± .015	MM: X.XX ± 0.15MM X.X ± 0.4MM	A	REMOVED SHIM	EW	7/23/14
FRACTIONS ± 1/64	ANG. ± 1°	CHANGES			

# Mouser Electronics

Authorized Distributor

Click to View Pricing, Inventory, Delivery & Lifecycle Information:

[Davies Molding:](#)

[2860AP](#)