

PART NAME: KNOB SCALE: 1:1 DATE: 9/28/83 DR. BY HD

THIS DRAWING IS THE PROPERTY OF DAVIES MOLDING COMPANY, IS SUBMITTED SOLELY AS A DESIGN OR ENGINEERING PROJECT. WE ACCEPT NO RESPONSIBILITY WHATSOEVER FOR THE PRACTICAL APPLICATION OF THE PIECES MADE TO THIS DESIGN.

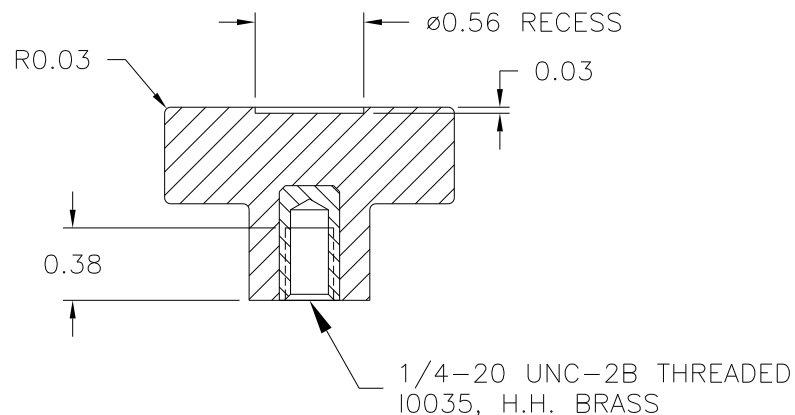
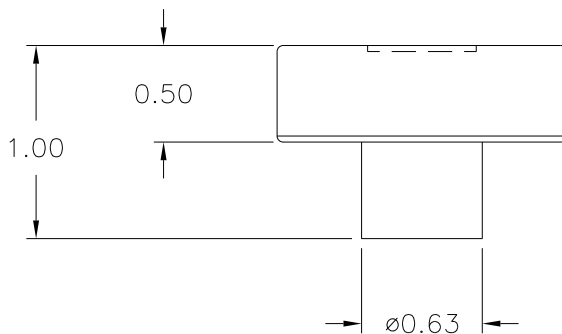
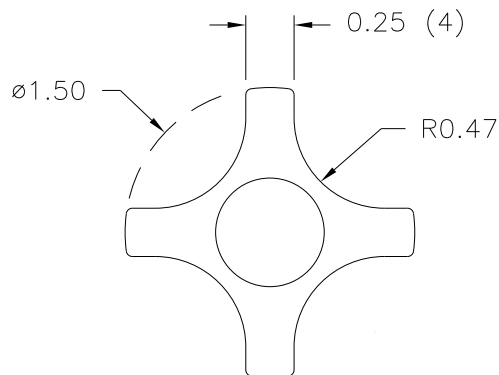


DESIGNERS & MANUFACTURERS OF KNOBS, HANDLES, CASES & CUSTOM PLASTIC COMPONENTS

P/N 2820

M^{NO.} 3035

CAVITY	2820
PLUNGER	2820
PLUNGER PIN	2820
① OUTER PIN	3008-28
INNER PIN	3008-18
PIN BAR SHIM	0.093
INSERT	I0035
CAVITY KEY	1/4x1/4x3/4
PLUNGER KEY	1/4x1/4x5/8



MATERIAL: #4311 PLENCO PHENOLIC (B41)
COLOR: BLACK

TOLERANCES: UNLESS OTHERWISE SPECIFIED	DO NOT SCALE DRAWING			
DECIMALS: X.XXX ± .005 X.XX ± .015	MM: X.XX ± 0.15MM X.X ± 0.4MM	A	ADDED INNER & OUTER PINS, CORRECTED TOOLING BOX	TS 11/12/02
		-	RE-DID REDRAW	TL 11/19/99
		-	CAD REDRAW	HD 4/14/93
FRACTIONS ± 1/64	ANG. ± 1°	CHANGES		

Mouser Electronics

Authorized Distributor

Click to View Pricing, Inventory, Delivery & Lifecycle Information:

[Davies Molding:](#)

[2820](#)