

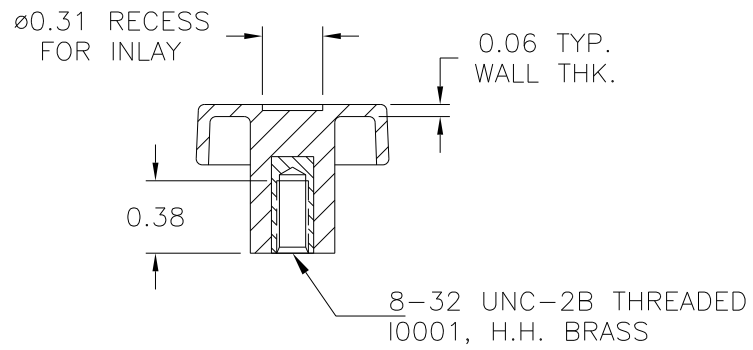
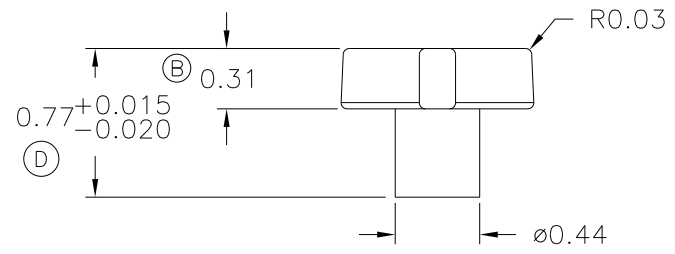
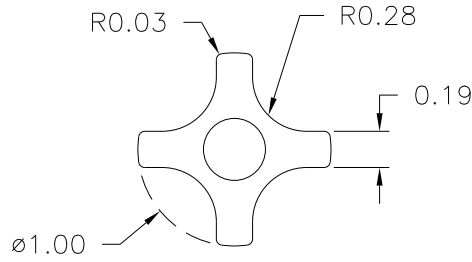
PART NAME: KNOB SCALE: 1:1 DATE: 7/11/90 DR. BY HD

THIS DRAWING IS THE PROPERTY OF DAVIES MOLDING COMPANY, IS SUBMITTED SOLELY AS A DESIGN OR ENGINEERING PROJECT. WE ACCEPT NO RESPONSIBILITY WHATSOEVER FOR THE PRACTICAL APPLICATION OF THE PIECES MADE TO THIS DESIGN.



DESIGNERS & MANUFACTURERS OF KNOBS, HANDLES, CASES & CUSTOM PLASTIC COMPONENTS

P/N	2800
M ^{NO.}	75
CAVITY	2800
CORE	2800
CORE PLUG	2800
SLEEVE	2800
PIN	2800
INSERT	10001



C A
 MATERIAL: NYLON 6/6 (ZY2), (ZY6)
 OR ENGINEERING APPROVED EQUIVALENT
 COLOR: BLACK

D	WAS 0.75	EW	7/23/14
C	WAS CLC, ADDED ZY6	JAM	6/25/12
B	WAS 0.38	JAM	9/30/08
A	ADDED MAT. CODE	JAM	12/28/06
-	RE-DID REDRAW	TL	11/19/99
-	CAD REDRAW	HD	11/19/92

TOLERANCES: UNLESS OTHERWISE SPECIFIED	DO NOT SCALE DRAWING
DECIMALS: X.XXX ± .005 X.XX ± .015	MM: X.XX ± 0.15MM X.X ± 0.4MM
FRACTIONS ± 1/64	ANG. ± 1°

CHANGES

Mouser Electronics

Authorized Distributor

Click to View Pricing, Inventory, Delivery & Lifecycle Information:

[Davies Molding:](#)

[2800](#)