

PART NAME: KNOB

SCALE: 1:1

DATE: 1/11/71

DR. BY NH

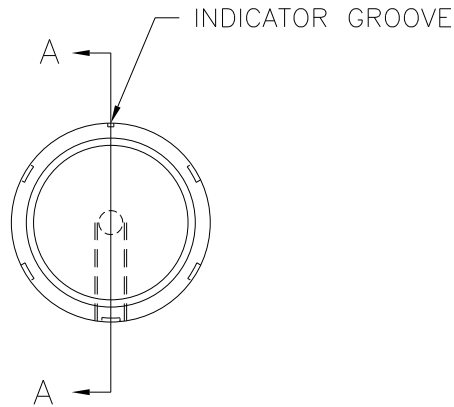
DAVIES MOLDING COMPANY  
CAROL STREAM, ILLINOIS 60188

P/N 1204-B

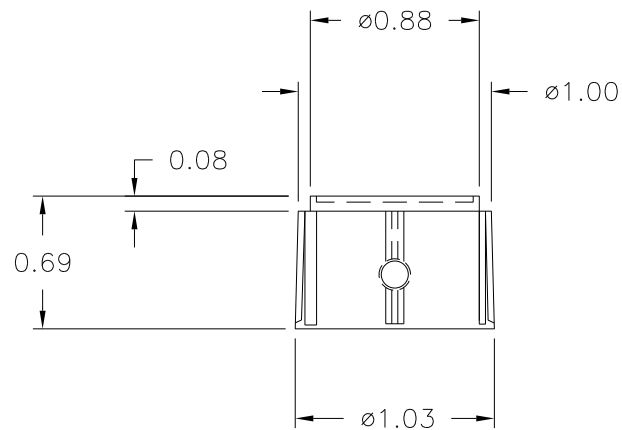
BASE PART 1204-01

SET SCREW 10357

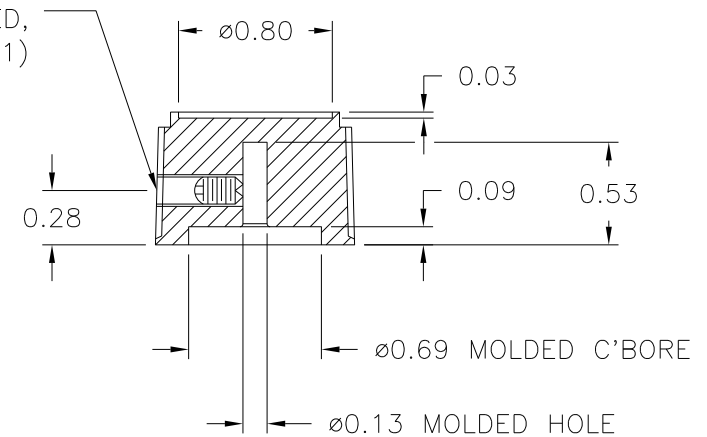
THIS DRAWING IS THE PROPERTY OF DAVIES MOLDING COMPANY, IS SUBMITTED SOLELY AS A DESIGN OR ENGINEERING PROJECT. WE ACCEPT NO RESPONSIBILITY WHATSOEVER FOR THE PRACTICAL APPLICATION OF THE PIECES MADE TO THIS DESIGN.



SECTION A-A



USE #28 DRILL (0.140), #8-32 TAP,  
#8-32 X 1/4 LG. CUP POINTED,  
SLOTTED TYPE, SET SCREW 10357 (1)



(A)

NOTE: MOLDED HOLE OF KNOB MUST BE (0.128/0.126)  
AND MUST BE CHECKED WITH ABOVE SIZE  
PIN GAUGE FOR PROPER MOLDED HOLE CONDITION.

MATERIAL: G.P. PHENOLIC (B11)  
COLOR: BLACK

TOLERANCES: UNLESS OTHERWISE SPECIFIED	DO NOT SCALE DRAWING	-	UPDATED/HAD TOOLBOX	ST	5/10/2000
DECIMALS: X.XXX ± .005 X.XX ± .015	MM: X.XX ± 0.15MM X.X ± 0.4MM	-	CAD/REDRAWN BY	HD	8/18/93
FRACTIONS ± 1/64	ANG. ± 1°	A	NOTE ADDED	HD	8/17/93
CHANGES					

# Mouser Electronics

Authorized Distributor

Click to View Pricing, Inventory, Delivery & Lifecycle Information:

[Davies Molding:](#)

[1204-B](#)