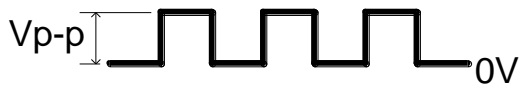


1. SPECIFICATION

AC-1005G-P

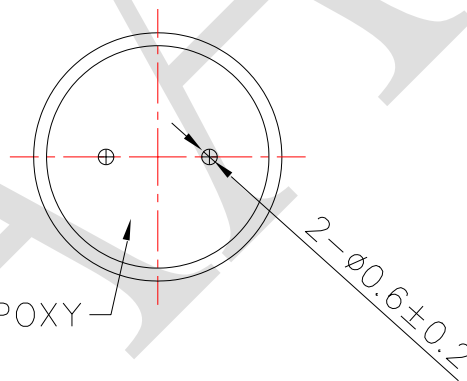
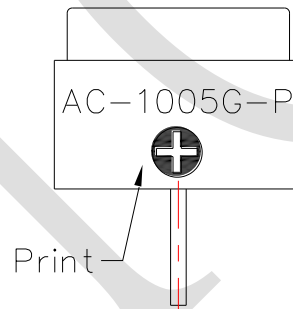
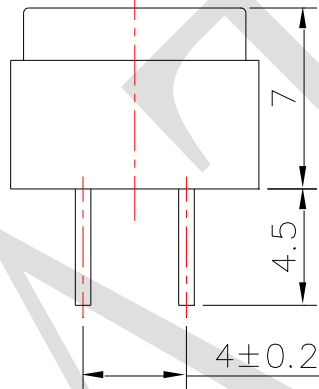
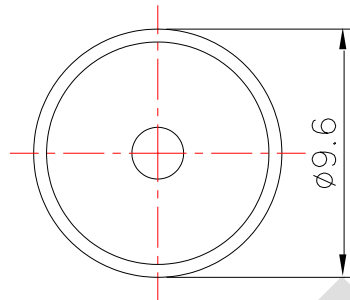
ITEM		UNITS	SPECIFICATIONS	CONDITIONS
01	Rated Voltage	V	5.0	
02	Operating Voltage	V	3.0 ~ 8.0	
03	Consumption Current	mA (Max)	Mean : 60	Applying rated voltage, rated frequency Square wave, 1/2 duty subject to standard state.
			Peak : 180	
04	Direct Current Resistance	Ω	40±4	
05	Sound pressure level (Distance at 10cm)	dBA (Min)	85	Applying rated voltage, rated frequency Square wave, 1/2 duty subject to standard state.
06	Rated Frequency	Hz	3100	
07	Operating Temp.	°C	-30 ~ +70	
08	Storage Temp.	°C	-40 ~ +85	
09	Weight	g	1.0	

REV NO.

REVISION NOTE

APPROVAL

DATE



RoHS

TITLE: ELECTRO MAGNETIC BUZZER		DRAWN: Jerry	2013/01/09	SCALE: 4:1	SHEET: 1 of 1
PART NO. AC-1005G-P		DESIGNED: R&D OF AAT		UNITS: mm	
DWG NO. UGCM0905APE		CHECKED:		TOLERANCE ± 0.5	
		APPROVAL:		UNLESS OTHERWISE SPECIFIED: ONE PLACE DECIMAL ± *** TWO PLACE DECIMAL ± *** THREE PLACE DECIMAL ± ***	
	2	MATERIAL: NORYL			



ADVANCED ACOUSTIC TECHNOLOGY CORPORATION

For more information, please contact AATC.

AATC

Mouser Electronics

Authorized Distributor

Click to View Pricing, Inventory, Delivery & Lifecycle Information:

[AATC:](#)

[AC-1005G-P](#)