

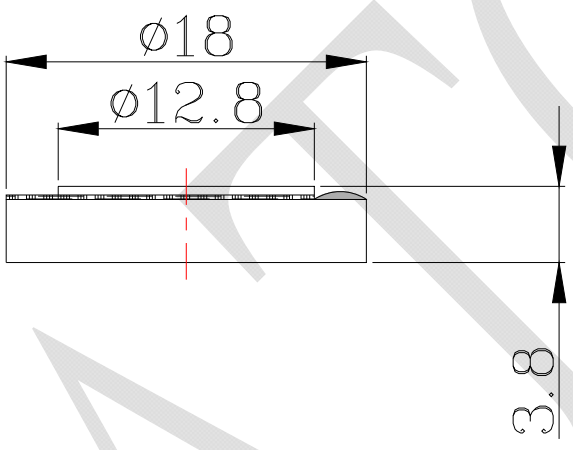
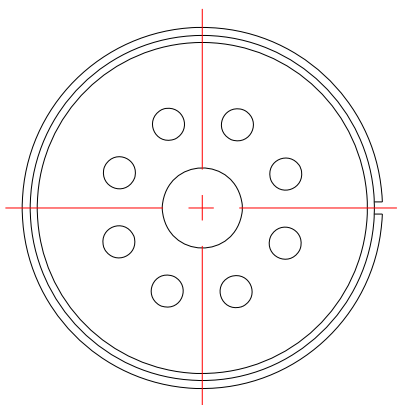
1. SPECIFICATION

AK-1808A-3

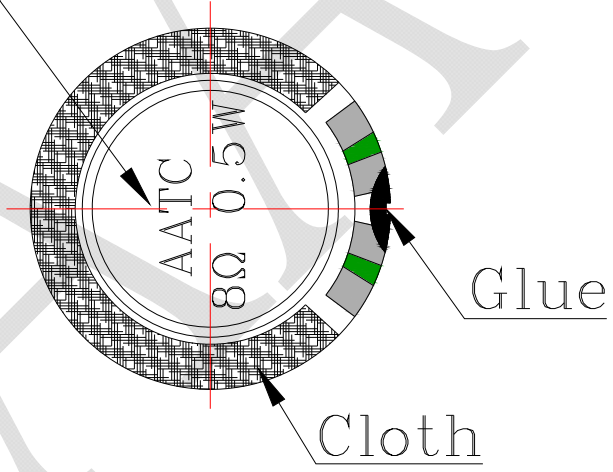
ITEM		SPECIFICATIONS	
01	Type	Dynamic speaker	
02	Dimension	External diameter 18 mm	
03	Rated Input Power	0.5 W	
04	Max. Input Power	1.0 W for 1 minute	
05	Impedance	$8\Omega \pm 15\%$ at 1KHz 1V	
06	Resonance Frequency (Fo)	650 Hz \pm 20% at Fo, 1V	
07	Sound pressure level	79 dB(0.1W/0.1M) \pm 3 dB	at AVE 0.8, 1.0, 1.2, 1.5 KHz.
		85 dB(0.5W/0.1M) \pm 3 dB	
08	Frequency Range	Fo – 20 K Hz	
09	Total Harmonics Distortion	Max 10 % at 1 KHz, 2.0V.	
10	Voice Coil	Diameter 8.5 mm	
11	Magnet	Rare earth permanent (NdFeB) magnet Φ 9.5 x 1.0 mm	
12	Weight	2.0g \pm 0.5g	
13	Appearance	Should not exist any obstacle to be harmful to normal operation; damages, cracks, rusts and distortions, etc.	
14	Operation Test	Must be normal at program source 0.5W	
15	Buzz, Rattle, etc.	Should not be audible at 2.0V sine wave between Fo to 20KHz	
16	Polarity	When positive voltage is applied to the terminal marked (+), diaphragm should move to the front.	
17	Terminal Strength	Capable of withstand 1kg load for 15 seconds without resulting in any damage or rejection.	
18	Temperature	Operating temperature: -20°C to +60°C	
		Storage temperature: -30°C to +70°C	

RoHS

REV NO.	REVISION NOTE	APPROVAL	DATE
---------	---------------	----------	------



Print
AATC
8Ω 0.5W



RoHS

TITLE: DYNAMIC SPEAKER		DRAWN: Jerry 2013/11/29	SCALE: 2:1	SHEET: 1:1
PART NO. AK-1808A-3		DESIGNED: R&D OF AAT	UNITS: mm	
DWG NO. S18P1-08-01		CHECKED:	TOLERANCE ± 0.5	
		APPROVAL:	UNLESS OTHERWISE SPECIFIED:	
REV 1		MATERIAL: PBT	ONE PLACE DECIMAL ± ***	
			TWO PLACE DECIMAL ± ***	
			THREE PLACE DECIMAL ± ***	



ADVANCED ACOUSTIC TECHNOLOGY CORPORATION

For more information, please contact AATC.

AATC

Mouser Electronics

Authorized Distributor

Click to View Pricing, Inventory, Delivery & Lifecycle Information:

[AATC:](#)

[AK-1808A-3](#)