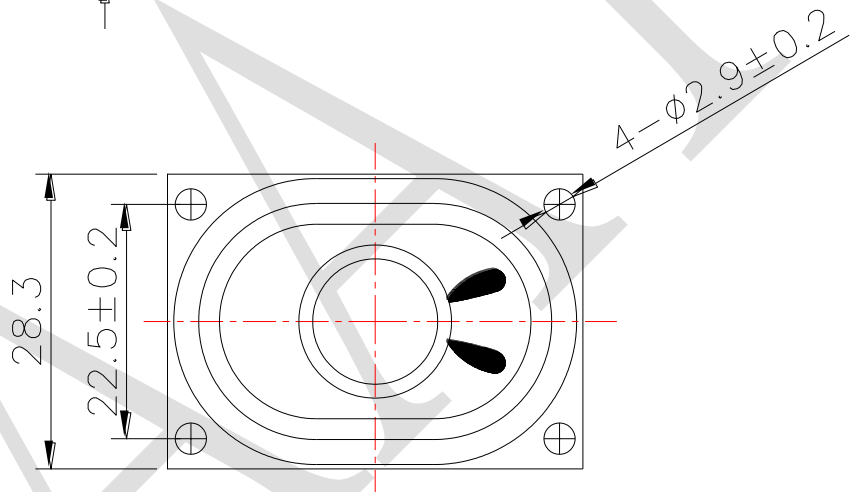
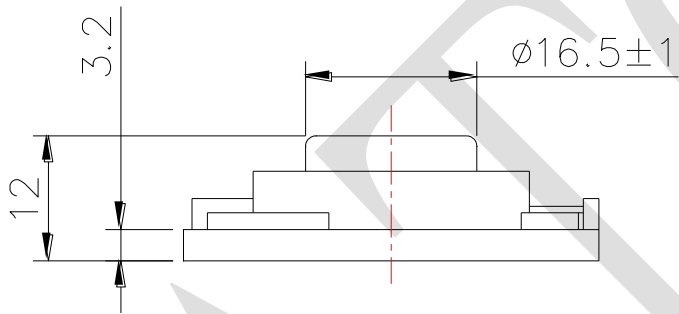
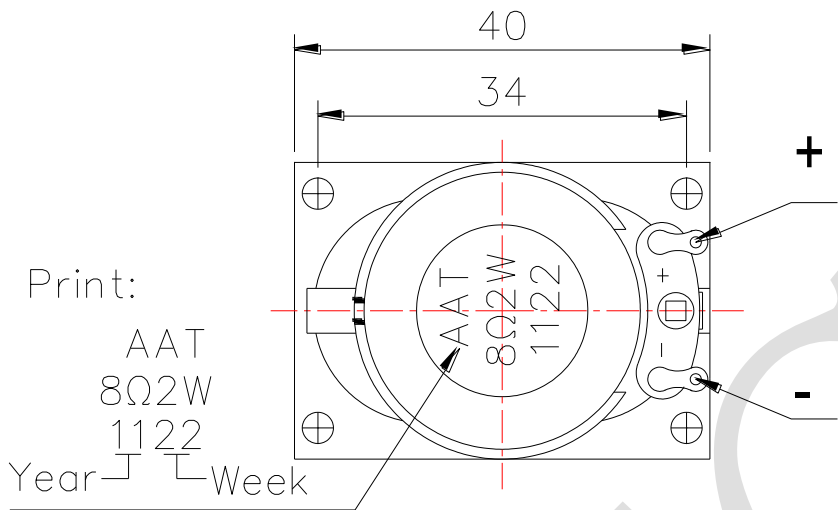


## 1. SPECIFICATION

AK-402808BC-3T-LF (RoHS)

ITEM		SPECIFICATIONS	
01	Type	Dynamic speaker	
02	Dimension	External diameter 40X28 mm	
03	Rated Input Power	2.0 W	
04	Max. Input Power	4.0 W for 1 minute	
05	Impedance	$8\Omega \pm 15\%$ at 1.5KHz 1V	
06	Resonance Frequency (Fo)	530 Hz $\pm$ 20% at Fo, 1V	
07	Sensitivity (S.P.L.)	74 dB(1.0W/1.0M) $\pm$ 3 dB	at AVE 0.8, 1.0, 1.2, 1.5 KHz.
		97 dB(2.0W/0.1M) $\pm$ 3 dB	
08	Frequency Range	Fo – 16.5 K Hz	
09	Total Harmonics Distortion	Max 8 % at 1 KHz, 1.5V.	

REV NO.	REVISION NOTE	APPROVAL	DATE
---------	---------------	----------	------



RoHS

TITLE: DYNAMIC SPEAKER		DRAWN: Zack	2014/09/23	SCALE: 1:1	SHEET: 1 of 1
PART NO. AK-402808BC-3T-LF		DESIGNED: R & D OF AAT	UNITS: mm		
DWG NO. HS-110518		CHECKED:	TOLERANCE ± 0.5		
		APPROVAL:	UNLESS OTHERWISE SPECIFIED: ONE PLACE DECIMAL ± *** TWO PLACE DECIMAL ± *** THREE PLACE DECIMAL ± ***		
REV 5		MATERIAL: ABS			



ADVANCED ACOUSTIC TECHNOLOGY CORPORATION

For more information, please contact AATC.

AATC

# Mouser Electronics

Authorized Distributor

Click to View Pricing, Inventory, Delivery & Lifecycle Information:

[AATC:](#)

[AK-402808BC-3T-LF](#)