

1. SPECIFICATION

AK-5008BB-15(RoHS)

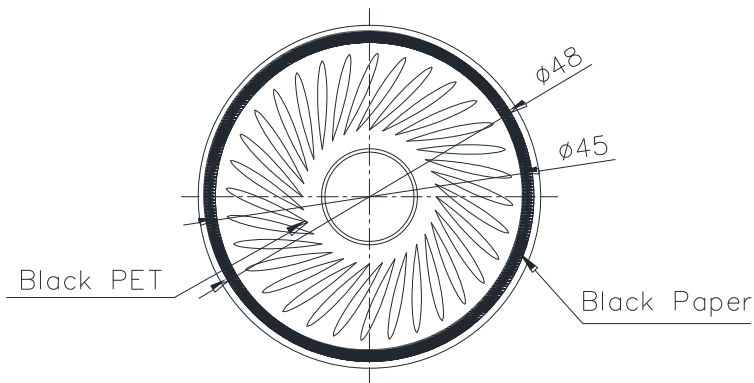
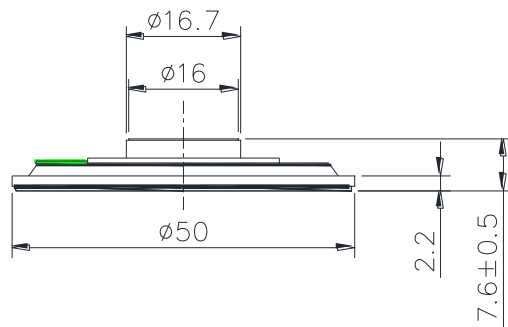
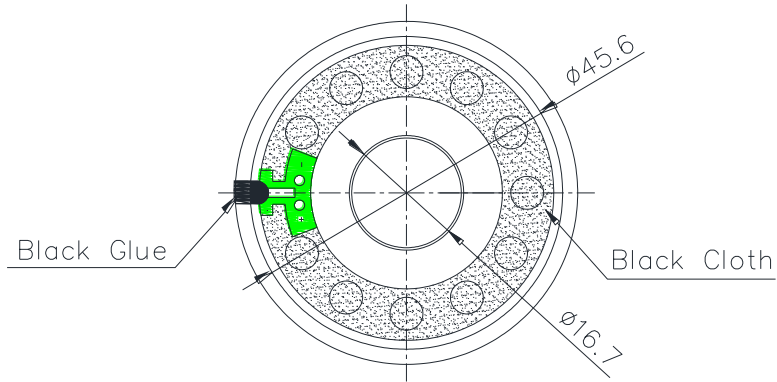
ITEM		SPECIFICATIONS	
01	Type	Dynamic speaker	
02	Dimension	External diameter 50 mm	
03	Rated Input Power	0.5 W	
04	Max. Input Power	1.0 W for 1 minute.	
05	Impedance	8ohm \pm 15% at 2KHz	
06	Resonance Frequency (Fo)	300 Hz \pm 20% at Fo, 1V	
07	Sensitivity (S.P.L.)	92 dB(0.1W/0.1m) \pm 3 dB	at AVE 0.6K,0.8K,1.0K,1.2K Hz.
		97 dB(0.5W/0.1m) \pm 3 dB	
08	Frequency Range	Fo – 20K Hz	
09	Total Harmonics Distortion	Max 10 % at 1 KHz,0.5W.	

REV NO.

REVISION NOTE

APPROVAL

DATE



RoHS

TITLE: DYNAMIC SPEAKER

DRAWN: Jason 2009/05/14

SCALE: 1:1 SHEET: 1 of 1

PART NO. AK-5008BB-15

DESIGNED: R&D OF AAT

UNITS: mm

1

CHECKED:

TOLERANCE ± 0.3

DWG NO. HS-09051401

APPROVAL:

UNLESS OTHERWISE SPECIFIED:

REV

MATERIAL: SPCC

ONE PLACE DECIMAL ± ***

TWO PLACE DECIMAL ± ***

THREE PLACE DECIMAL ± ***



ADVANCED ACOUSTIC TECHNOLOGY CORPORATION

For more information, please contact AATC.

Mouser Electronics

Authorized Distributor

Click to View Pricing, Inventory, Delivery & Lifecycle Information:

[AATC:](#)

[AK-5008BB-15](#)