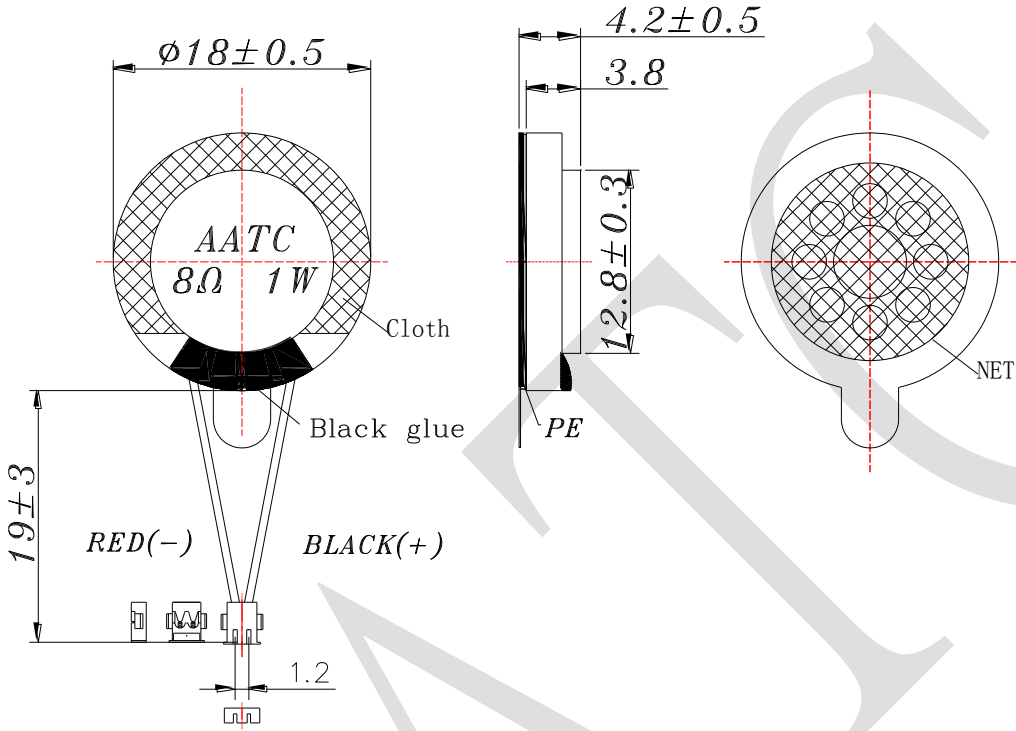


# 1. SPECIFICATION

AK-180810-PM-1CV1

ITEM		SPECIFICATIONS	
01	Type	Dynamic speaker	
02	Dimension	External diameter 18 mm	
03	Rated Input Power	1.0 W	
04	Max. Input Power	1.2 W for 1 minute	
05	Impedance	$8\Omega \pm 15\%$ at 1KHz 1V	
06	Resonance Frequency (Fo)	1000Hz $\pm 20\%$ at Fo, 1V	
07	Sound pressure level	$92\text{dB}(1.0\text{W}/0.1\text{M}) \pm 3\text{ dB}$	at AVE0.8,1.0, 1.2, 1.5 KHz.
08	Frequency Range	Fo – 5K Hz	
09	Total Harmonics Distortion	Max 10 % at 1 KHz, 0.1 W.	

REV NO.	REVISION NOTE	APPROVAL	DATE
---------	---------------	----------	------



WIRE: UL1571, AWG30#  
CONNECTOR: ACHR-02V-S

RoHS

TITLE: DYNAMIC SPEAKER		DRAWN: Zack	2019/10/9	SCALE: 2:1	SHEET: 1:1
PART NO. AK-180810-PM-1CV1		DESIGNED: R&D OF AAT	UNITS: mm		
DWG NO. CXS18040LP19-R08W1.0-F11		CHECKED:	TOLERANCE $\pm 0.5$		
		APPROVAL:	UNLESS OTHERWISE SPECIFIED: ONE PLACE DECIMAL $\pm$ *** TWO PLACE DECIMAL $\pm$ *** THREE PLACE DECIMAL $\pm$ ***		
REV	1	MATERIAL: PBT			



**ADVANCED ACOUSTIC TECHNOLOGY CORPORATION**

For more information, please contact AATC.

AATC

# Mouser Electronics

Authorized Distributor

Click to View Pricing, Inventory, Delivery & Lifecycle Information:

[AATC:](#)

[AK-180810-PM-1CV1](#)