

1. SPECIFICATION

AZ-1248E-P1

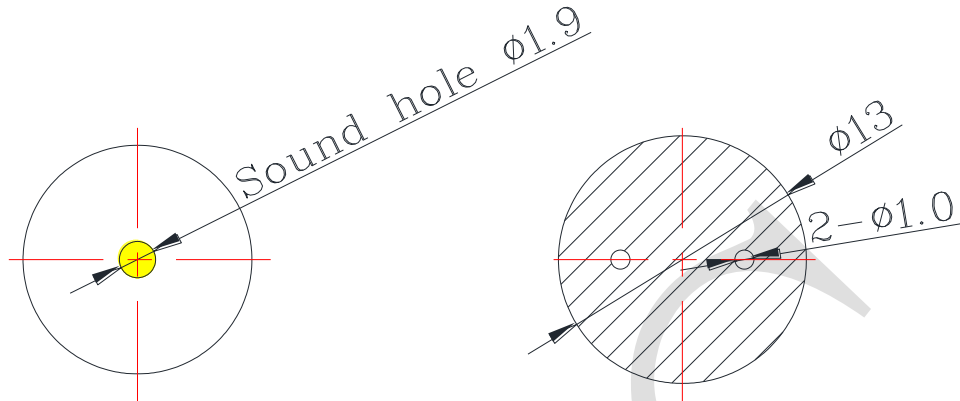
ITEM		UNITS	SPECIFICATIONS	CONDITIONS
01	Rated Voltage	V	5	Vp-p (Square Wave) 1/2 duty
02	Operating Voltage	V	1~ 25	
03	Rated Current	mA(Max)	3	Rated Voltage
04	Sound pressure level (Distance at 10cm)	dBA(Min)	75	Rated Voltage Rated Frequency
05	Resonant Frequency	Hz	4800± 300	Rated Voltage
06	Capacitance	pF	12000±30%	At 120Hz

REV NO.

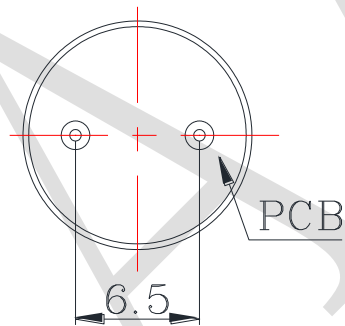
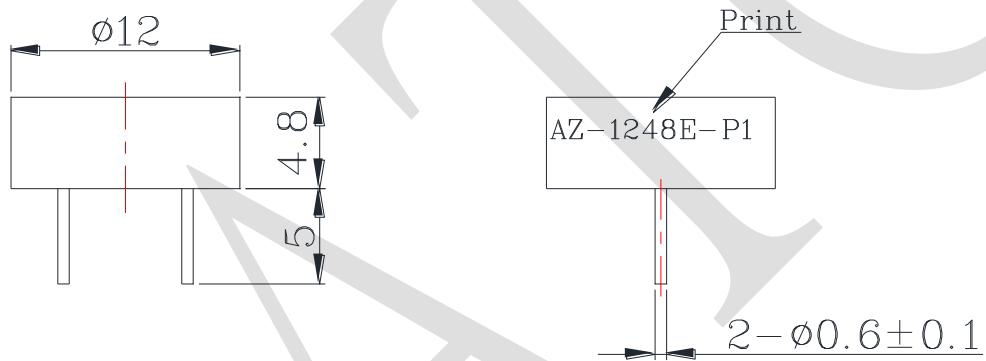
REVISION NOTE

APPROVAL

DATE



RECOMMEND PCB LAYOUT



RoHS

TITLE:	PIEZO BUZZER	DRAWN:	Jery	2013/11/22	SCALE:	2:1	SHEET:	1:1
PART NO.	AZ-1248E-P1	DESIGNED:	R&D OF AAT		UNITS:	mm		
DWG NO.	BP1248-48	CHECKED:			TOLERANCE	± 0.5		
		APPROVAL:			UNLESS OTHERWISE SPECIFIED:	ONE PLACE DECIMAL \pm ***		
		MATERIAL:	PPO		TWO PLACE DECIMAL \pm ***	THREE PLACE DECIMAL \pm ***		



ADVANCED ACOUSTIC TECHNOLOGY CORPORATION

For more information, please contact AATC.

AATC

Mouser Electronics

Authorized Distributor

Click to View Pricing, Inventory, Delivery & Lifecycle Information:

[AATC:](#)

[AZ-1248E-P1](#)