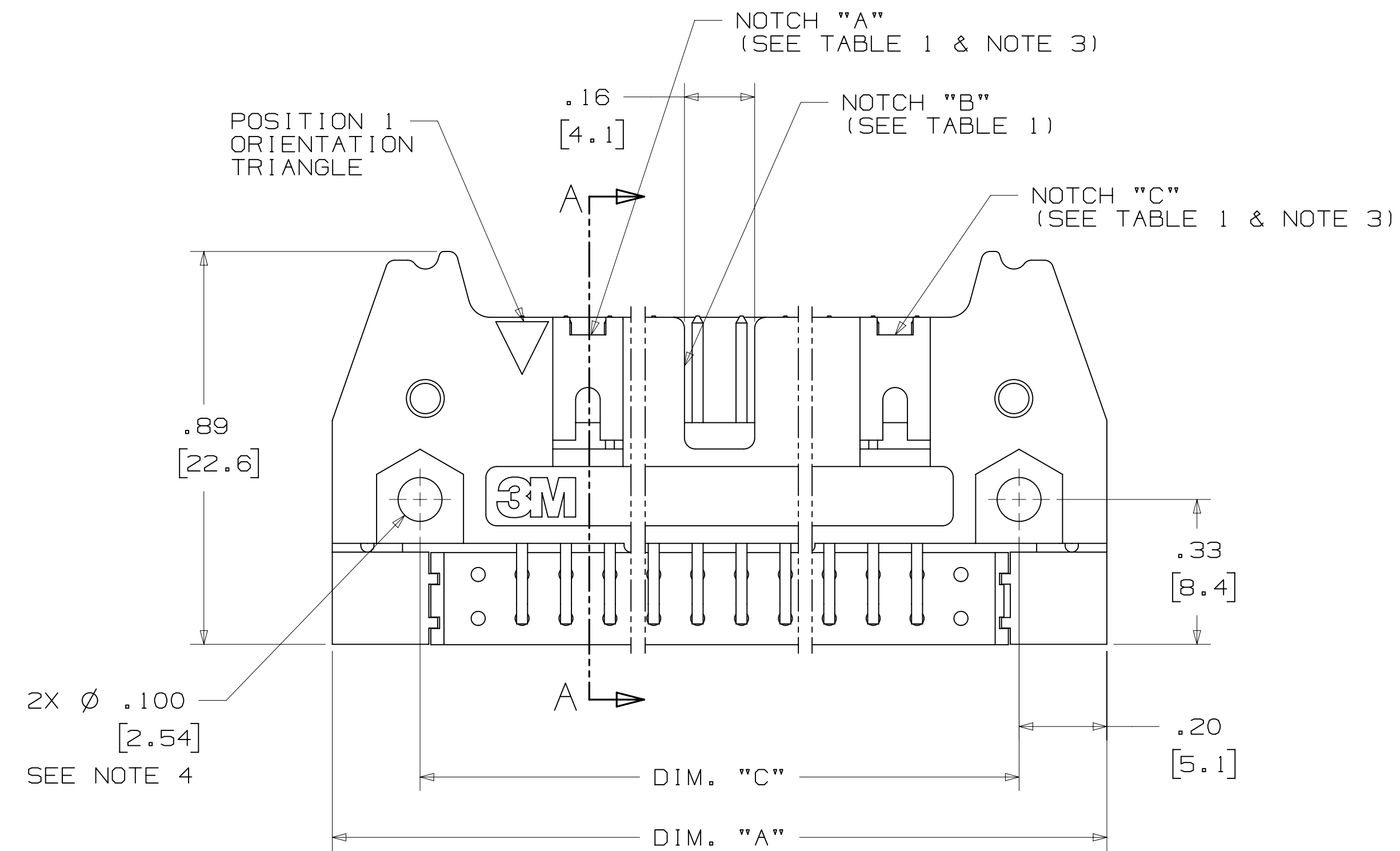
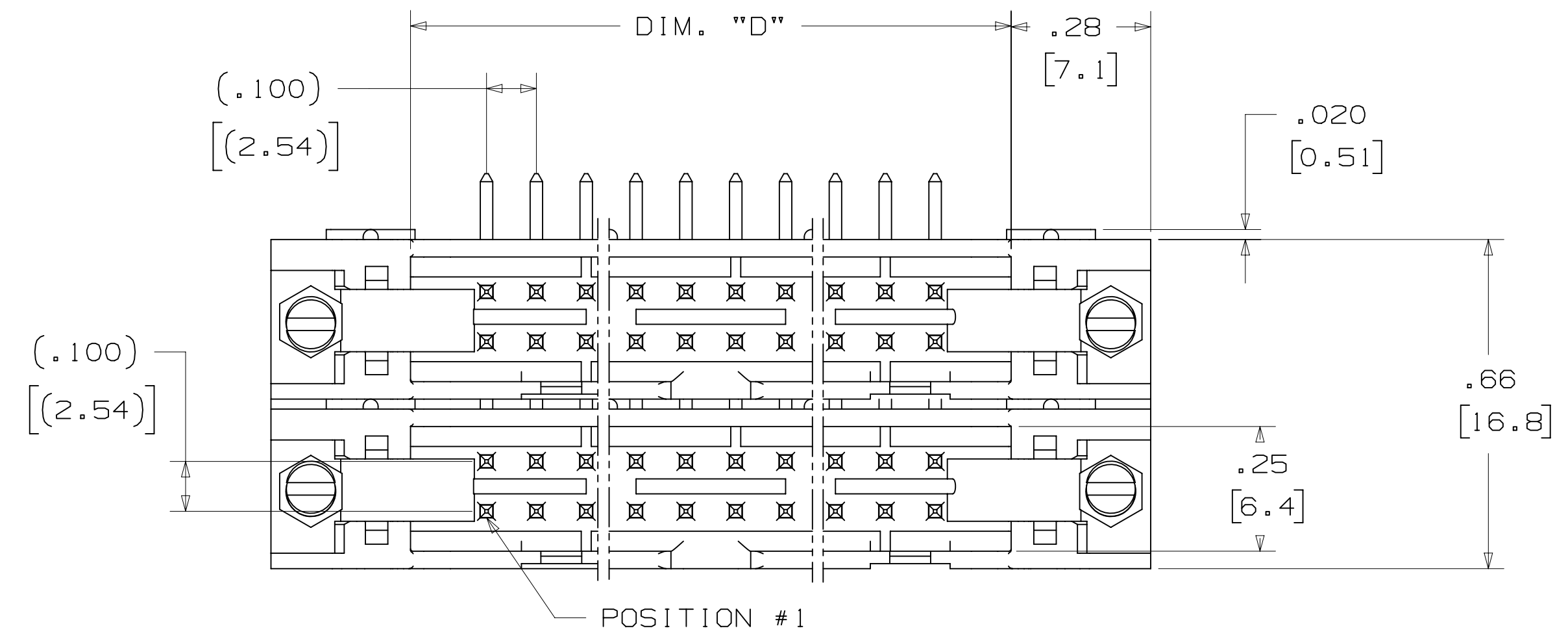
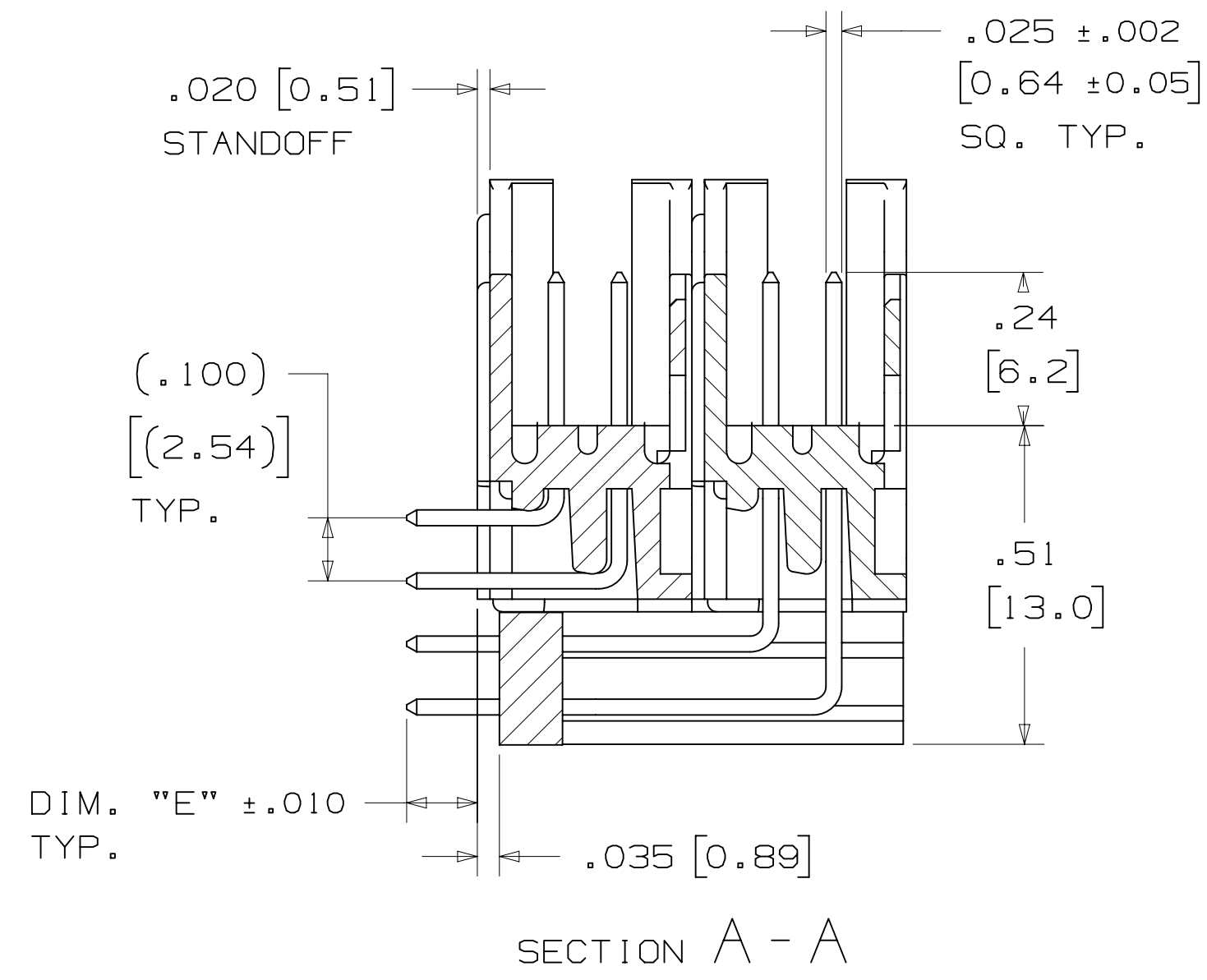


3M™ FOUR-WALL CONDO HEADER, 3000 SERIES
 .100" X .100" LATCH/EJECTOR, RIGHT ANGLE



PIN QTY.	3M PART NUMBER	DIM. "A"	DIM. "C"	DIM. "D"	POLARIZING NOTCHES	PIN QTY.
20	3793	1.26 [32.1]	.865 [21.97]	.71 [18.0]	BC	20
28	3314	1.46 [37.2]	1.065 [27.05]	.91 [23.1]	BC	28
32	3408	1.56 [39.7]	1.165 [29.59]	1.01 [25.6]	ABC	32
40	3428	1.76 [44.8]	1.365 [34.67]	1.21 [30.7]	ABC	40
48	3627	1.96 [49.9]	1.565 [39.75]	1.41 [35.8]	ABC	48
52	3429	2.06 [52.4]	1.665 [42.29]	1.51 [38.3]	ABC	52
60	3440	2.26 [57.5]	1.865 [47.37]	1.71 [43.4]	ABC	60
68	3431	2.46 [62.6]	2.065 [52.45]	1.91 [48.5]	ABC	68
80	3432	2.76 [70.2]	2.365 [60.07]	2.21 [56.1]	ABC	80
100	3433	3.26 [82.9]	2.865 [72.77]	2.71 [68.8]	ABC	100
120	3372	3.76 [95.6]	3.365 [85.47]	3.21 [81.5]	ABC	120
128	3764	3.96 [100.7]	3.565 [90.55]	3.41 [86.6]	ABC	128

3M PART NUMBER SUFFIX	CONTACT TAIL	DIM. "E"
-XX02	02	.112 [2.84]
-XX03	03	.155 [3.94]

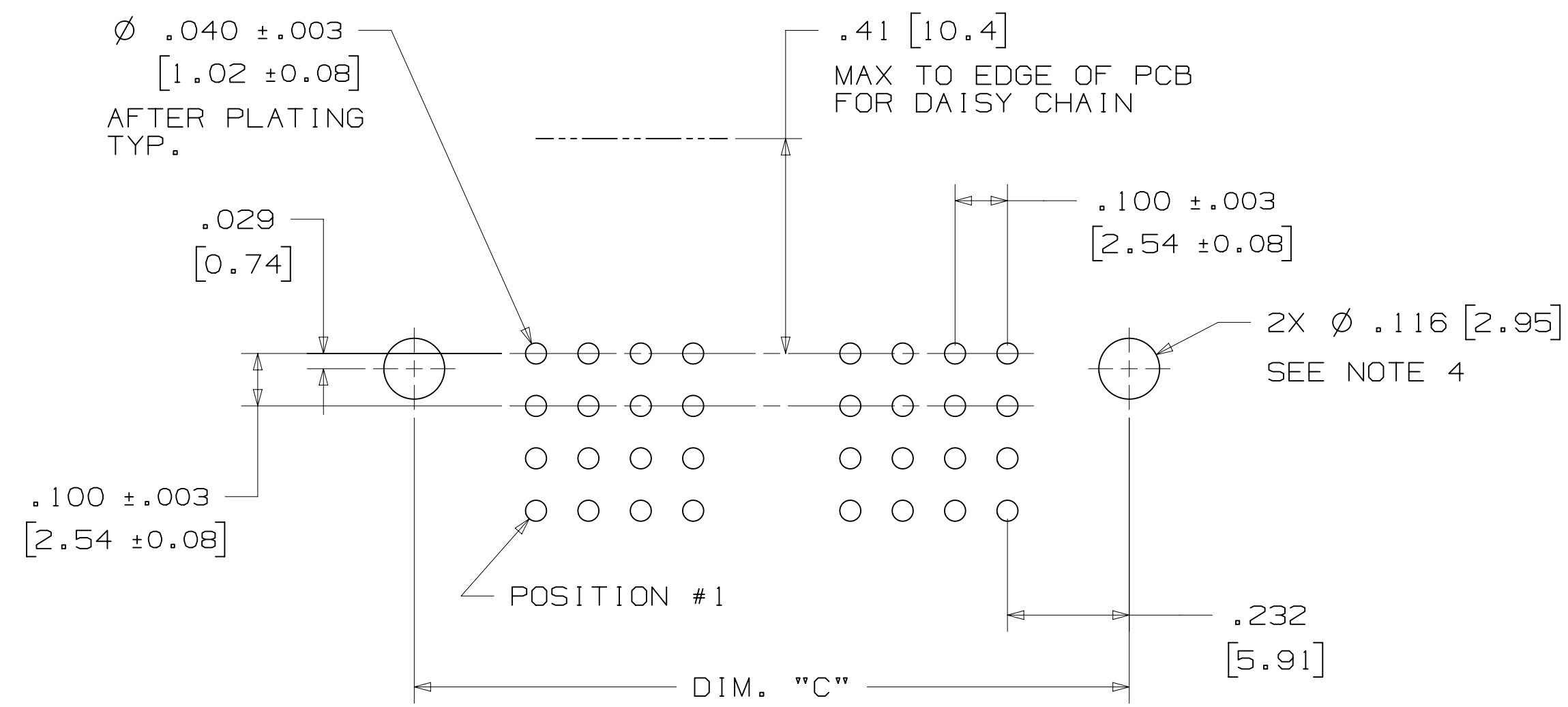
NOTE:
 .112 [2.84] TAIL LENGTH SUITABLE FOR
 .062 [1.57] THICK PC BOARD.

DESIGN REFERENCE	NEXT ASSEMBLY	REV	ECO	ISSUE DATE AND DESCRIPTION	DRFT	CHKD
				AUG 05, 2014		
DIVISION: Interconnect Solutions		DIVISION CODE: EMSD		DATE: SEP 05, 2014		
DO NOT SCALE DRAWING		SCALE: 4/1		TOLERANCES EXCEPT AS NOTED		
THIRD ANGLE PROJECTION		INCHES: .00 ±.01, .000 ±.005, .0000 ±		MILLIMETERS: 0 ±, .0 ±.3, .00 ±.13, .000 ±		
MAX SURFACE ROUGHNESS: 12.5 SURFACES		MARKED ONLY		© 3M COPYRIGHT 2015 This document and the information it contains are 3M property and may not be reproduced or further distributed without 3M permission, or used or disclosed other than for 3M authorized purposes. All rights reserved.		
CAGE NUMBER: D78-5100-0774-9		DRAWING NO.:		REV. K		
MODEL: 3000 SERIES		DET.:		SHT 2 OF 3		

K REVISION
 78-5100-0774-9
 DRAWING NUMBER
 B
 A
 Imaged: K.1 3/6/2015 12:57 PM UTC-06:00

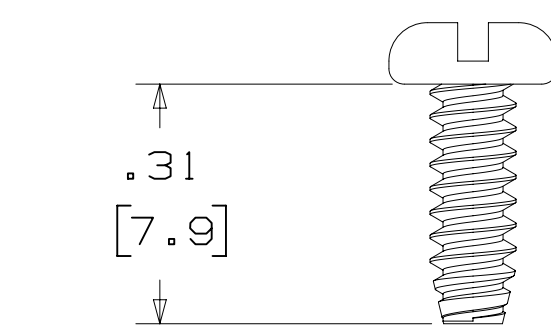
3M™ FOUR-WALL CONDO HEADER, 3000 SERIES

.100" X .100" LATCH/EJECTOR, RIGHT ANGLE



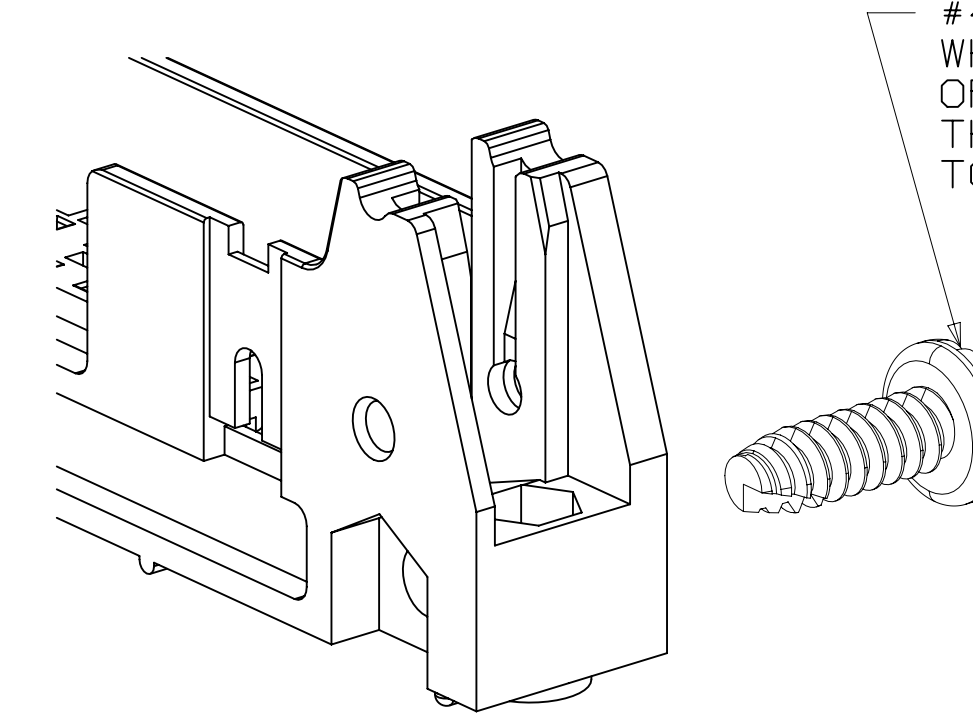
RECOMMENDED MOUNTING HOLE PATTERN

MOUNTING HARDWARE



3341-5

(INSTALL FROM BOTTOM OF BOARD)
 PANHEAD THREAD CUTTING SCREW:
 #4-24 X 5/16"
 TYPE: USA STD BT, FEDERAL BG
 MATERIAL: STAINLESS STEEL



#4-24 TYPE BT SELF THREADING SCREW
 WHEN USING LATCHES, MAXIMUM LENGTH
 OF SCREW IS .250 INCHES PLUS
 THICKNESS OF THE BOARD.
 TORQUE FOR EACH SCREW IS 3-5 INCH LBS.

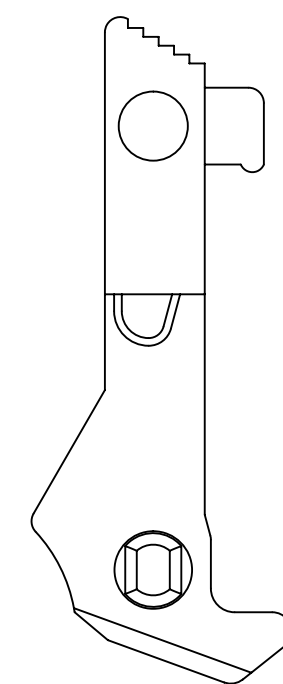
PART CUSTOMIZATION

THIS SPEC SHEET DETAILS OUR STANDARD OFFERING.

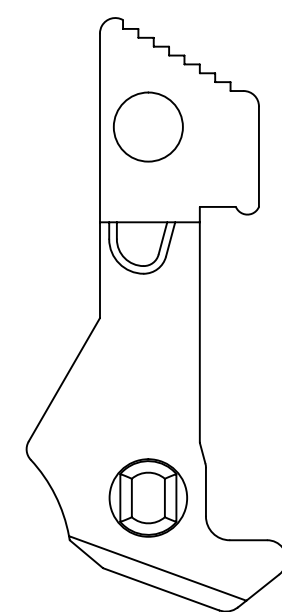
3M HAS SEVERAL CAPABILITIES THAT CAN PROVIDE A PART TAILORED TO YOUR SPECIFIC NEEDS. ASK YOUR 3M SALES REPRESENTATIVE OR CUSTOMER SERVICE FOR MORE DETAILS.

BOTH SNAP-IN AND ROLL PIN LATCHES MAY BE ORDERED SEPARATELY. SNAP-IN AND ROLL PIN STYLE LATCHES ARE DIMENSIONALLY AND FUNCTIONALLY EQUIVALENT. IF ORDERING SNAP-IN OR ROLL PIN STYLE LATCHES SEPARATELY, PLEASE USE THE BELOW CHART.

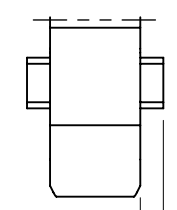
MATERIAL	SHORT LATCH	LONG LATCH	LATCH STYLE	COLOR
HIGH TEMP. (PCT)	N3505-2B	N3505-3B	ROLL PIN	BLACK
HIGH TEMP (PPA)	N3505-30B	N3505-31B	SNAP-IN	BLACK



LONG



SHORT

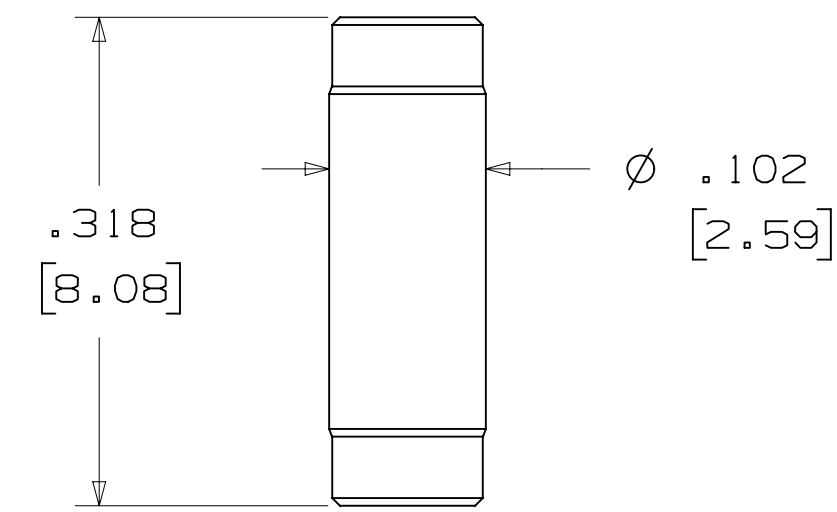


.03
 [(0.8)]
 TYP.

SNAP-IN LATCHES

NOTE:
 SNAP-IN LATCHES CAN ONLY BE ORDERED SEPARATELY AND ARE THE CUSTOMERS RESPONSIBILITY TO INSTALL.

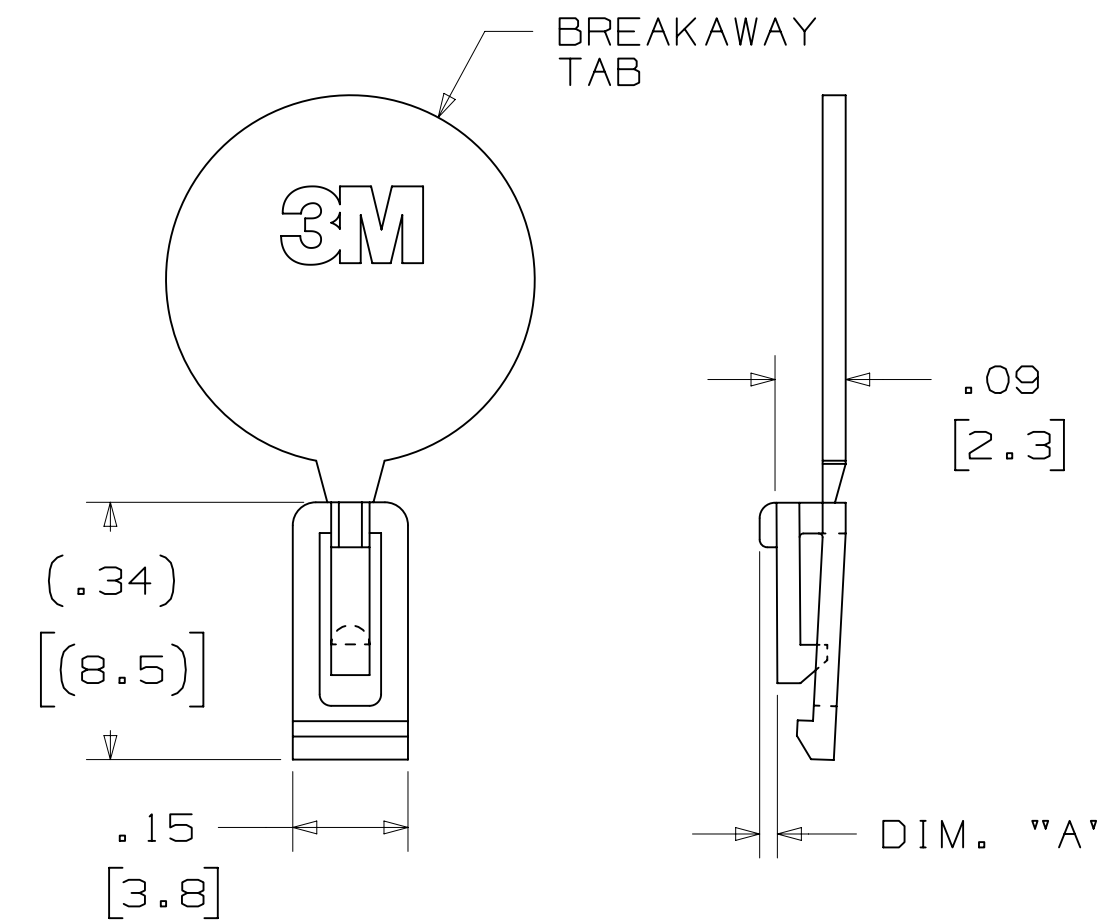
POLARIZING POST



3M PART NO.	MATERIAL	COLOR
3201-4	LCP	BLACK

NOTE:
 INSERT POST INTO ONE MOUNTING HARDWARE HOLE ON BOTTOM OF HEADER. SET POST TO PROTRUDE .115 [2.92]

POLARIZING KEY



3M PART NO.	MATERIAL	COLOR	DIM. "A"
N3518	LCP	BLACK	.02

NOTE:
 #2216 B/A SCOTCHWELD CAN BE USED TO ADHERE KEYS.

K	60056	MAR 06, 2015	JNC	RS
J	56068	AUG 05, 2014	JNC	RS

REV	ECO	ISSUE DATE AND DESCRIPTION	DRFT	CHKD
1	CASTIGLIONE	AUG 05, 2014		
2		REVISED AND REDRAWN		

DESIGN REFERENCE	NEXT ASSEMBLY	APPROV	DATE
		R. SCHERER	SEP 05, 2014

DIVISION	INTERCONNECT SOLUTIONS	DIVISION CODE	EMSD
DO NOT SCALE DRAWING	SCALE 4/1	TOLERANCES EXCEPT AS NOTED	

THIRD ANGLE PROJECTION	INTERPRET PER ASME Y14.5 - 2009	MILLIMETERS	0 ±
MAX SURFACE ROUGHNESS	1.6 SURFACES	INCHES	0 ±

MAX SURFACE ROUGHNESS	1.6 SURFACES	INCHES	0 ±
MARKED ONLY	ANGLES		

		© 3M COPYRIGHT 2015 This document and the information it contains are 3M property and may not be reproduced or further distributed without 3M permission, or used or disclosed other than for 3M authorized purposes. All rights reserved.
TITLE HEADER, 4-WALL, CONDO, .100 X .100 LATCH/EJECTOR, RA		
CAGE NUMBER	DRAWING NO.	REV.
D78-5100-0774-9	K	
MODEL	3000 SERIES	DET
		IS1S <input type="checkbox"/> YES <input checked="" type="checkbox"/> NO
		SHT 3 OF 3

K REVISION
 78-5100-0774-9
 DRAWING NUMBER
 B
 A
 Imaged: K.1 3/6/2015 12:57 PM UTC-06:00

Mouser Electronics

Authorized Distributor

Click to View Pricing, Inventory, Delivery & Lifecycle Information:

[3M:](#)

[3314-L302](#) [3372-L002](#) [3372-L302](#) [3408-L302](#) [3428-L302](#) [3429-L202](#) [3431-L302](#) [3793-L302](#) [3431-L002](#) [3440-L302](#) [N3432-L202RB](#) [N3432-L302RB](#) [N3793-L202RB](#) [N3440-L002RB](#) [3429-L302](#) [3433-L302](#) [3793-L202](#) [3432-L302](#) [N3314-L202RB](#) [N3314-L302RB](#) [N3372-L202RB](#) [N3372-L302RB](#) [N3408-L202RB](#) [N3408-L302RB](#) [N3428-L002RB](#) [N3428-L202RB](#) [N3428-L302RB](#) [N3431-L202RB](#) [N3431-L302RB](#) [N3433-L202RB](#) [N3440-L202RB](#) [N3440-L302RB](#) [N3627-L202RB](#) [N3627-L302RB](#) [N3764-L202RB](#) [N3764-L302RB](#) [N3793-L302RB](#)