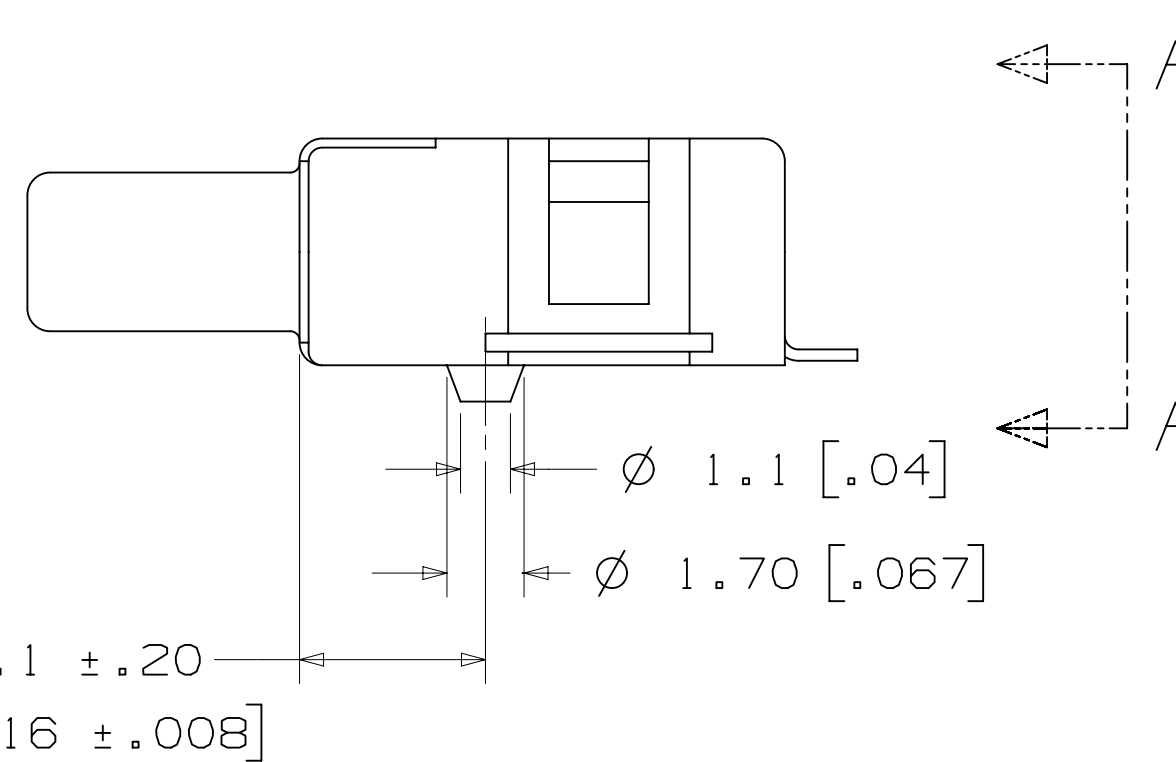
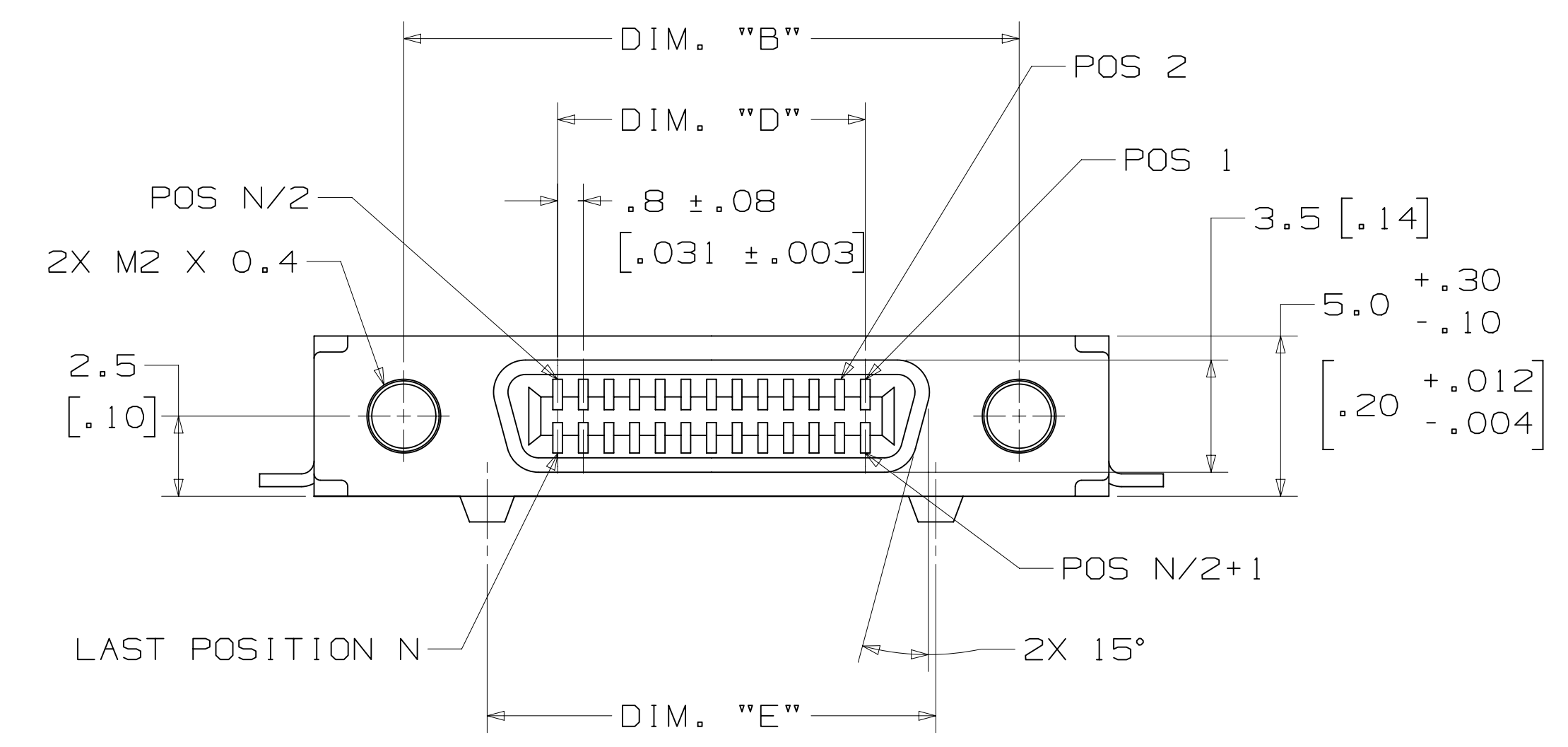
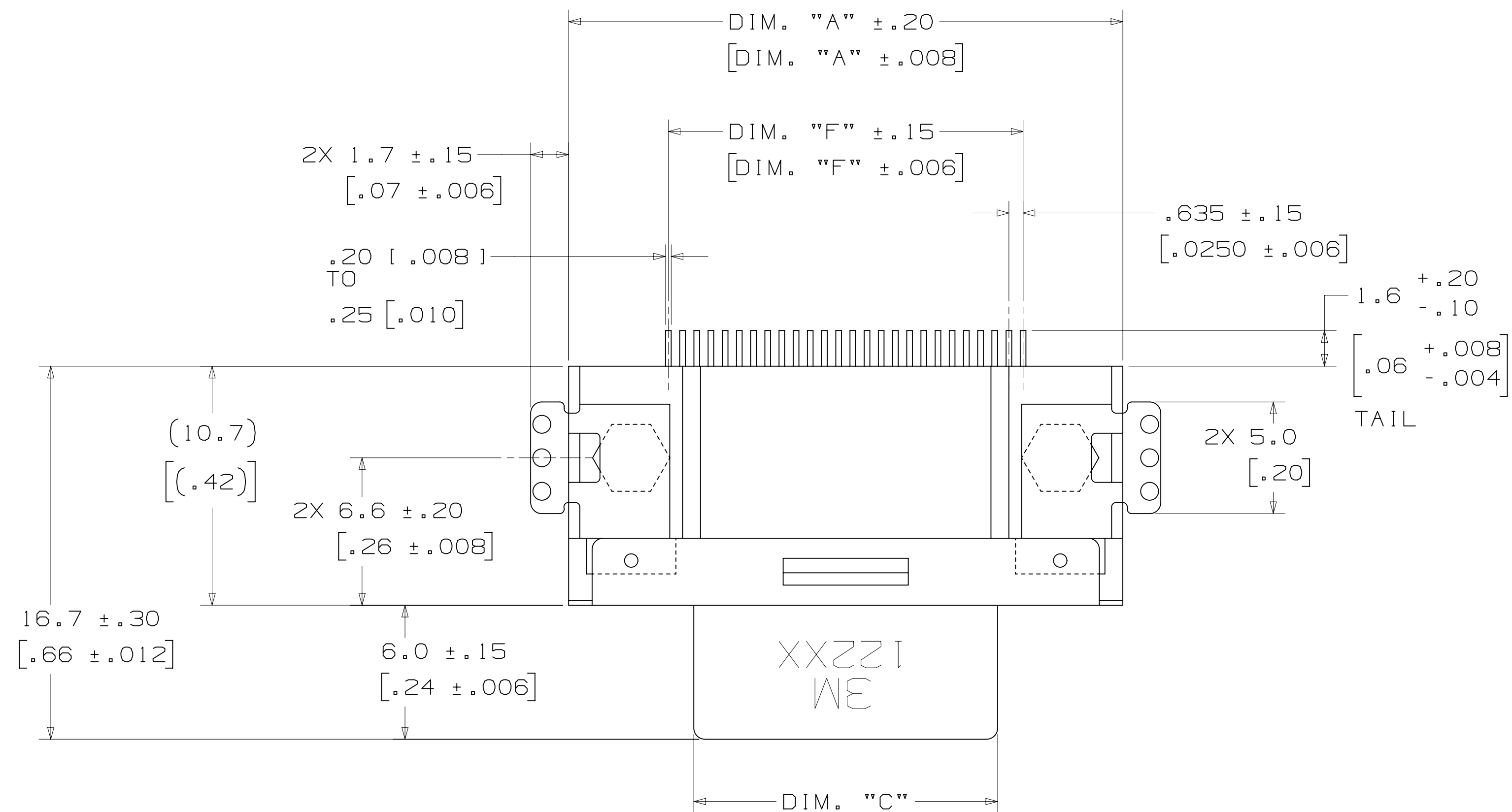


3M™ Shrunk Delta Ribbon (SDR) Connectors, 122 Series
 .80 mm Surface Mount, Right Angle Receptacle, Shielded



| POSITION | DIM. "A" | DIM. "B" | DIM. "C" | DIM. "D" | DIM. "E" | DIM. "F" | DIM. "G" |
|----------|------------|------------|------------|-----------|------------|----------------|------------|
| 14 | 20.0 [.79] | 14.4 [.57] | 8.8 [.35] | 4.8 [.19] | 9.2 [.36] | 8.255 [.3250] | 19.0 [.75] |
| 26 | 24.8 [.98] | 19.2 [.76] | 13.6 [.54] | 9.6 [.38] | 14.0 [.55] | 15.875 [.6250] | 23.8 [.94] |

CONNECTOR DIMENSION TABLE
TABLE 1

- NOTES
- MATERIAL:
 INSULATION: 14 PIN: PPS, 26 PIN: LCP
 COLOR: BLACK, UL94V-0

 CONTACT: COPPER ALLOY
 PLATING:
 SEE ORDERING INFO SHEET 2

 SHROUD & LATCH HOOK: STEEL
 PLATING: NICKEL

 GROUND LOCK: COPPER ALLOY
 PLATING: SEMI-BRIGHT TIN OVER NICKEL

 LOCK SCREW: STEEL
 PLATING: NICKEL

 ALIGNMENT PLATE: PPS
 COLOR: BLACK, UL94V-0

 EARTH PLATE: COPPER ALLOY
 PLATING: TIN

 HEX NUT: BRASS
 - MARKING: 3M LOGO AND PART NUMBER.
 - ELECTRICAL:
 CURRENT RATING: 0.5 A
 INSULATION RESISTANCE: 500 MΩ MIN AT 250 V_{DC}
 WITHSTANDING VOLTAGE: 350 V_{AC} FOR 1 MINUTE
 - ENVIRONMENTAL:
 TEMPERATURE RATING:
 -40°C TO +70°C
 PROCESS RATING:
 REFLOW: PREHEAT 150° TO 180°C,
 90 TO 120 SECONDS
 30 TO 60 SECONDS, PEAK TEMPERATURE
 IS 250°C MAX.
 SOLDER IRON: 380°C MAX, 3 SECONDS MAX.
 - IN THE EVENT OF CONFLICT BETWEEN THIS DATA AND THAT CONTAINED IN THE PRODUCT SPECIFICATION, THE PRODUCT SPECIFICATION TAKES PRECEDENT.
 - FOR VARIOUS PANEL THICKNESS JACKSOCKETS REFER TO TS-0142.
 - SEE REGULATORY INFORMATION APPENDIX (RIA) IN THE "RoHS COMPLIANCE" SECTION OF WWW.3MCONNECTOR.COM FOR COMPLIANCE INFORMATION.

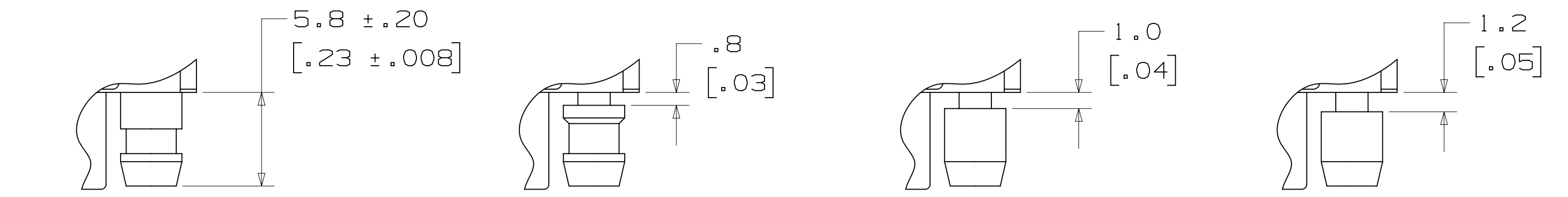
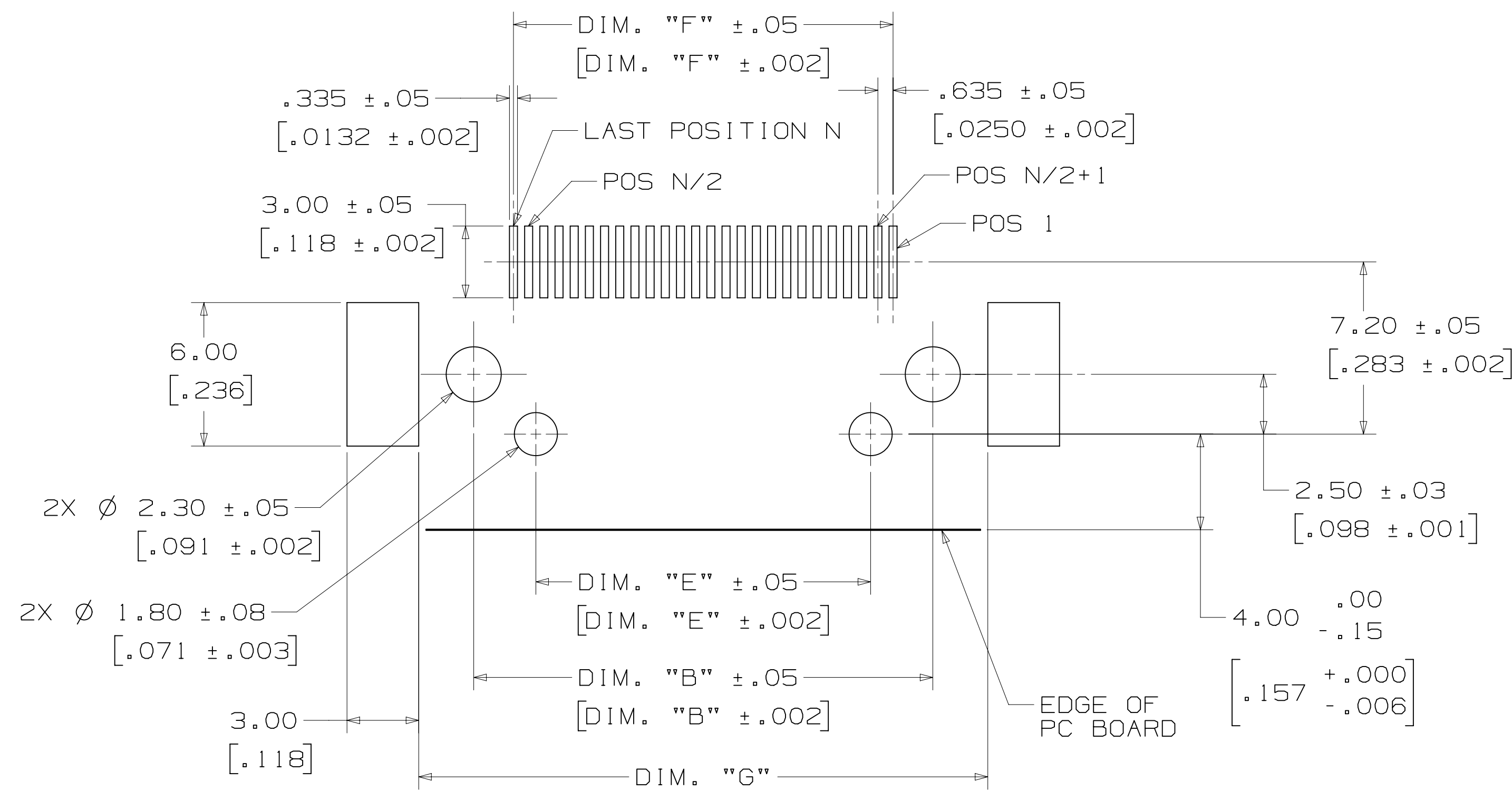
DIMENSIONS ARE IN MM.
 SECONDARY ARE IN [INCHES]
 AND ARE FOR REFERENCE ONLY

| | | | | | | |
|------------------------|---------------------------------|--|--------------|---|--|---|
| DESIGN REFERENCE | NEXT ASSEMBLY | REV | ECO | ISSUE DATE AND DESCRIPTION | DRFT | CHKD |
| 122XX | | | | JAN 07, 2011 | | |
| DIVISION | DIVISION CODE | DATE | DATE | DATE | DATE | DATE |
| Interconnect Solutions | ISD | JAN 07, 2011 | JAN 07, 2011 | MAR 30, 2011 | | |
| DO NOT SCALE DRAWING | SCALE 1 | TOLERANCES EXCEPT AS NOTED | | INCHES .00 ±.006 .000 ±.006 .0000 ±.005 MILLIMETERS 0 ± .0 ±.15 .00 ±.15 .000 ±.13 MARKED ONLY | | |
| THIRD ANGLE PROJECTION | INTERPRET PER ASME Y14.5 - 1994 | MAX SURFACE ROUGHNESS SURFACES MARKED ONLY | | TITLE 3M SHRUNK DELTA RIBBON (SDR) CONN. 122XX-82X0-00XX CAGE NUMBER DRAWING NO. MODEL 12200 | | |
| | | | | F 40541 E 30752 REV ECO DATE DATE DATE DATE DATE DATE | MAY 01, 2012 ADD 'PL' PLATING SPEC JAN 05, 2011 REVISED AND REDRAWN DATE DATE DATE DATE DATE DATE | ARM DFC JNC SC DATE DATE DATE DATE DATE DATE |



178-5100-2125-2

3M™ Shrunk Delta Ribbon (SDR) Connectors, 122 Series
 .80 mm Surface Mount, Right Angle Receptacle, Shielded



12600-S-00 SEE NOTE
 12600-S-08
 12600-S-10
 12600-S-12

JACKSOCKET
 M2 X 0.4

NOTE: JACKSOCKET 12600-S-00 COMES FACTORY INSTALLED IN CONNECTOR 122XX-8250-00FR. IT IS FIXED WITH THREAD LOCKING ADHESIVE AND CANNOT BE REMOVED.

| PANEL THICKNESS | CONNECTOR | JACKSOCKET |
|-----------------|-----------------|-------------------------------|
| NO PANEL | 122XX-8250-00XX | FACTORY INSTALLED (SEE NOTE) |
| 0.8±0.1MM | 122XX-8200-00XX | 12600-S-08 (ORDER SEPARATELY) |
| 1.0±0.1MM | 122XX-8200-00XX | 12600-S-10 (ORDER SEPARATELY) |
| 1.2±0.1MM | 122XX-8200-00XX | 12600-S-12 (ORDER SEPARATELY) |

SELECTION TABLE FOR PANEL MOUNTING
 TABLE 3

ORDERING INFORMATION:
 122XX-82X0-00XX

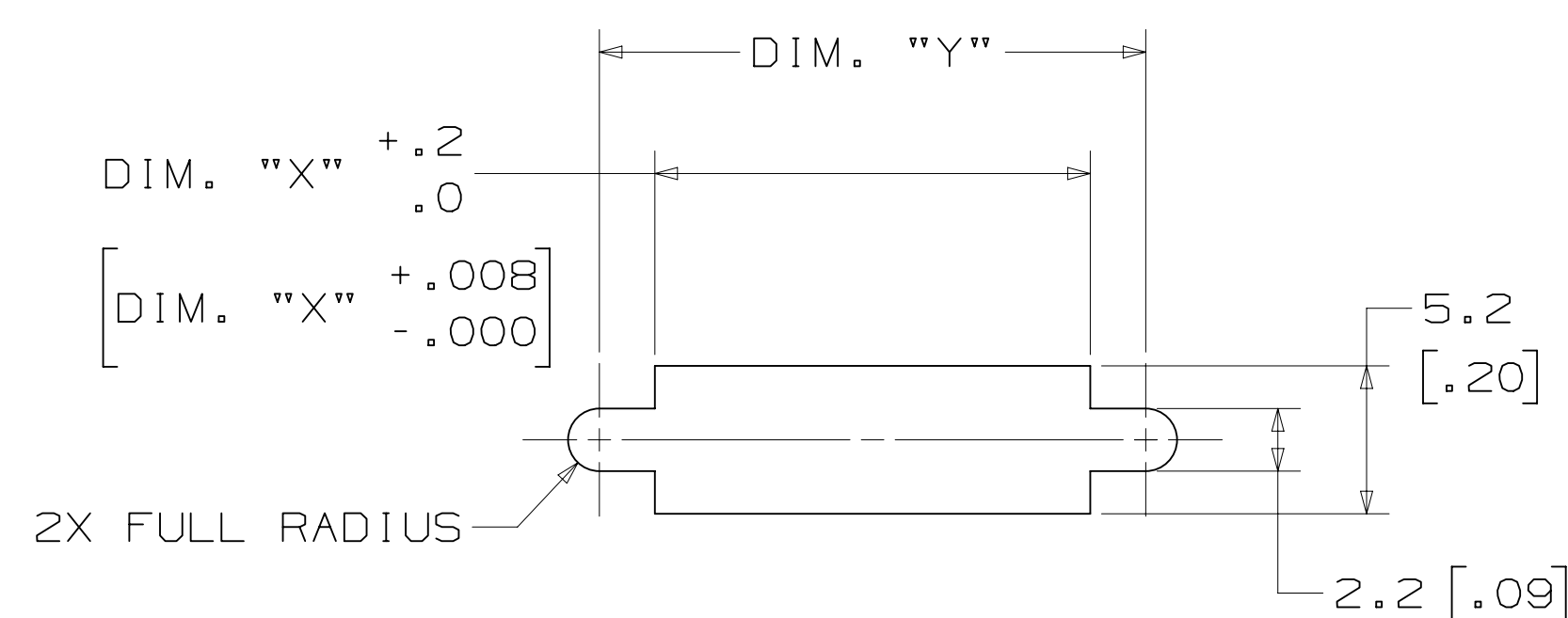
CONTACT QUANTITY (SEE TABLE 1)

PLATING OPTION:

- FR = 50-100µ" NICKEL UNDERPLATE
 30µ" GOLD MIN. WIPE AREA
 FLASH GOLD TERM AREA (TAIL)
- PL = 50-100µ" NICKEL UNDERPLATE
 8µ" GOLD MIN. WIPE AREA
 FLASH GOLD TERM AREA (TAIL)

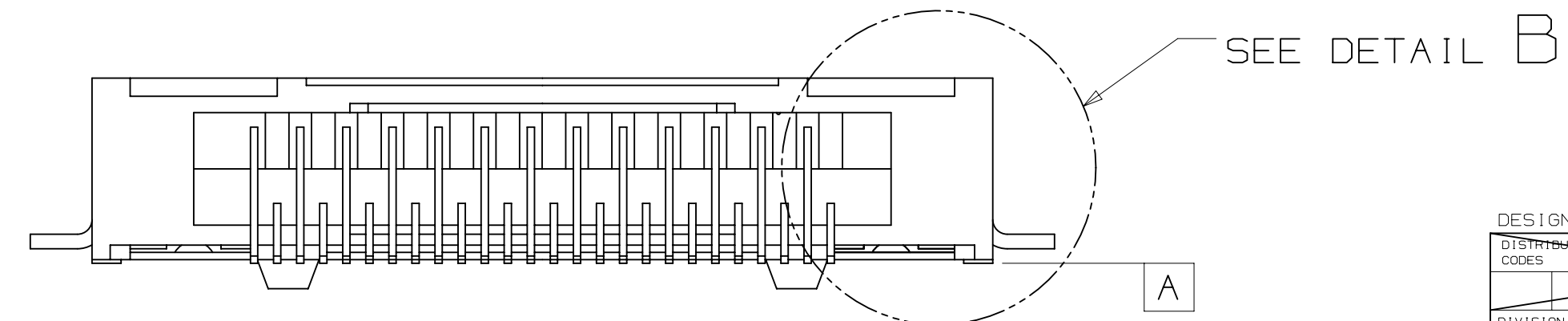
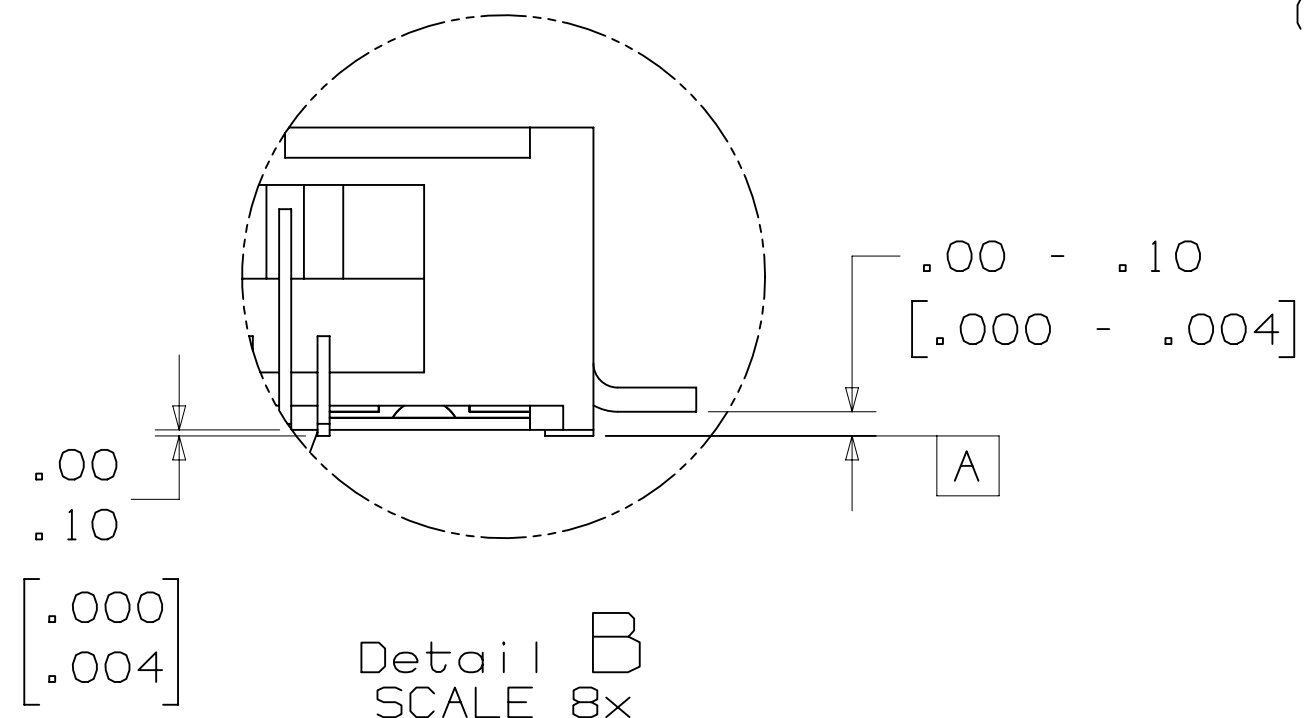
SCREW LOCK OPTION: (SEE TABLE 3)

- 0=NONE (RIA E1 & C1 APPLY)
- 5=WITH 12600-S-00 NON-REMOVABLE SCREW LOCK (RIA E5 & C3 APPLY)



| POSITION | DIM. "X" | DIM. "Y" |
|----------|------------|------------|
| 14 | 10.5 [.41] | 14.4 [.57] |
| 26 | 15.3 [.60] | 19.2 [.76] |

RECOMMENDED PANEL CUT-OUT DIMENSION TABLE
 TABLE 2



THE DIMENSION OF PIN TAILS LOWER SURFACE TO DATUM "A" SURFACE: 0.00 TO 0.10 [.000 TO .004].
 NOTE: THE CONNECTOR SHOULD BE ON FLAT FIXTURE SURFACE WHEN THE DIMENSIONS ARE MEASURED.

| | | | | | | |
|--|---|---|-----|----------------------------|------|------|
| DESIGN REFERENCE | NEXT ASSEMBLY | REV | ECO | ISSUE DATE AND DESCRIPTION | DRFT | CHKD |
| 122XX-82X0-00XX | | | | | | |
| DIVISION | DIVISION CODE | © 3M COPYRIGHT 2012 This document and the information it contains are 3M property and may not be reproduced or further distributed without 3M permission, or used or disclosed other than for 3M authorized purposes. All rights reserved. | | | | |
| Interconnect Solutions | ISD | 3M 3M Center St. Paul, MN 55144 | | | | |
| DO NOT SCALE DRAWING | SCALE 4/1 | TITLE 3M SHRUNK DELTA RIBBON (SDR) CONN. 122XX-82X0-00XX | | | | |
| THIRD ANGLE PROJECTION | TOLERANCES EXCEPT AS NOTED | CAGE NUMBER DRAWING NO. MODEL | | | | |
| INTERPRET PER ASME Y14.5 - 1994 | INCHES .00 ± .006 .000 ± .006 .0000 ± .005 | CAGE NUMBER DRAWING NO. MODEL | | | | |
| MAX SURFACE ROUGHNESS SURFACES MARKED ONLY | MILLIMETERS 0 ± .15 .00 ± .15 .000 ± .13 | CAGE NUMBER DRAWING NO. MODEL | | | | |
| | | CAGE NUMBER DRAWING NO. MODEL | | | | |

178-5100-2125-2
 DRAWING NUMBER
 REVISION
 F

Mouser Electronics

Authorized Distributor

Click to View Pricing, Inventory, Delivery & Lifecycle Information:

3M:

[12226-8250-00FR](#) [12226-1150-00FR](#) [12226-8250-00PL](#)