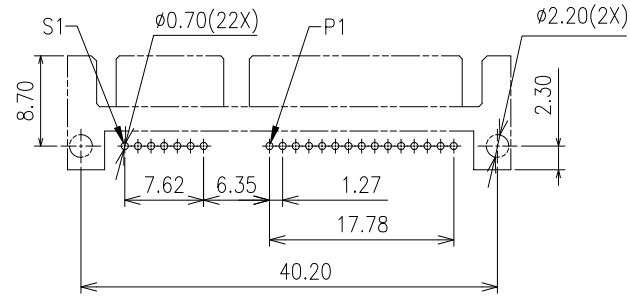
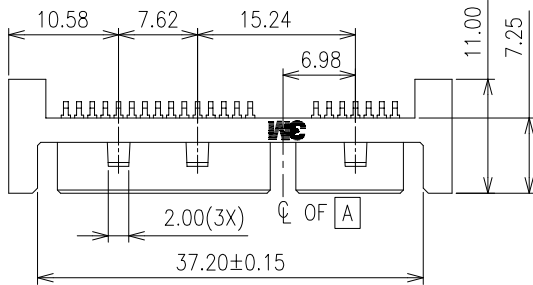
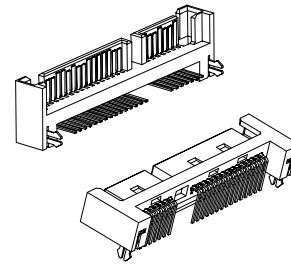
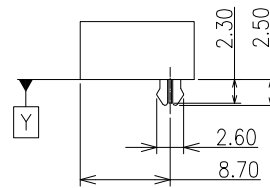
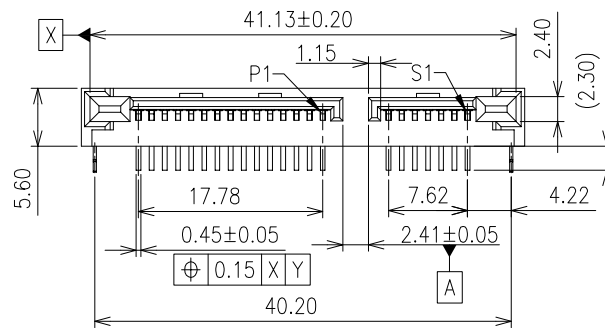


3M™ Serial Advanced Technology Attachment (SATA) Combo Connector
Device Plug, Straddlemount and Right Angle, Through-Hole, 5622 Series

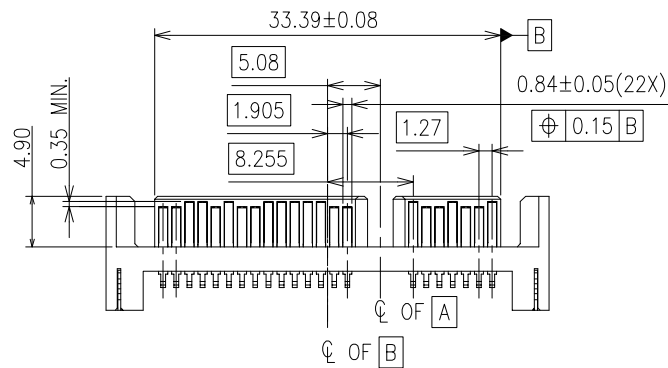
REVISION RECORD		
REV.	ECR/ECN/ECO NUMBER	DATE
A	ECO-0037415	23/07/12



RECOMMENDED PCB LAYOUT



RIGHT ANGLE THROUGH HOLE



NOTES:

- RoHS COMPLIANT. SEE REGULATORY INFORMATION APPENDIX IN "RoHS COMPLIANCE" SECTION AT WWW.3M.COM/INTERCONNECT (E1 & C1 APPLY)
- MEETS SATA SPECIFICATION
- PHYSICAL:
HOUSING: HIGH TEMPERATURE THERMOPLASTIC, BLACK, UL94V-0
Contact: Copper Alloy
Plating: ML: 30u" MIN. Au AT MATING AREA
50u" MIN. Ni UNDERPLATE
100u" MIN. Sn AT TERMINATION AREA
- ELECTRICAL:
CURRENT RATING: 1.5A
INSULATION RESISTANCE: 10³ MΩ(MINIMUM)
WITHSTANDING VOLTAGE: 500V_{ac} AT SEA LEVEL
- ENVIRONMENTAL:
OPERATING TEMPERATURE RANGE: -40°C TO +85°C
- UL FILE NO. E68080
- ORDERING INFORMATION:
5622-4100-ML (RIGHT-ANGLE THROUGH HOLE)
5622-6309-ML (STRADDLEMOUNT)

Visit <http://www.3Mconnector.com>

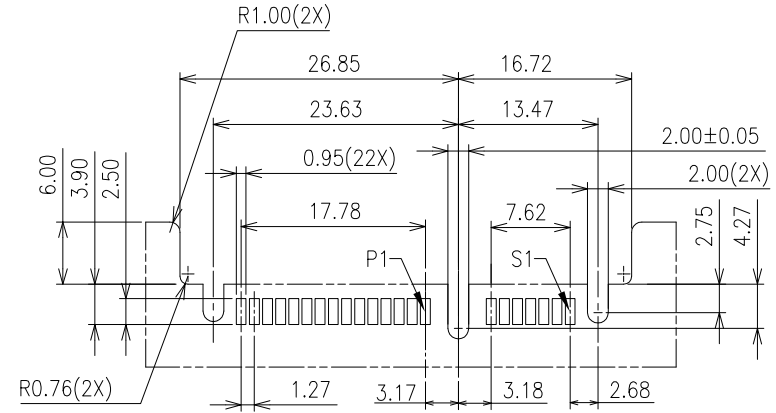
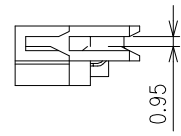
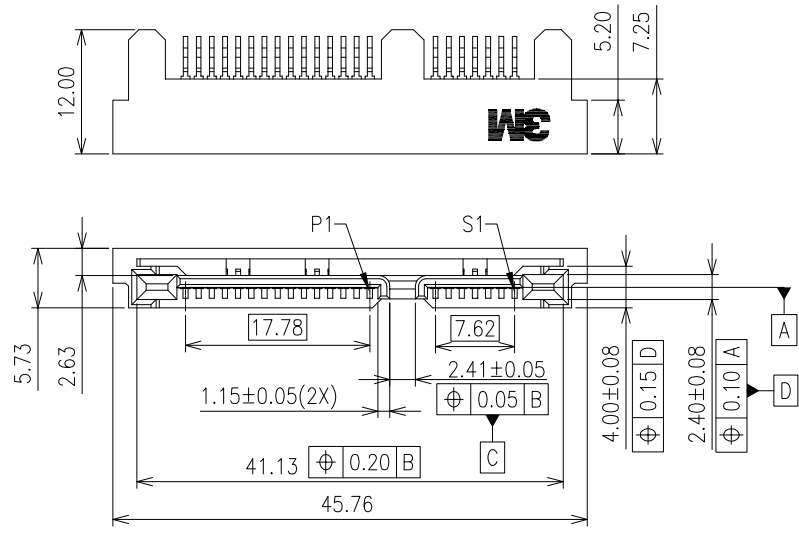
UNIT: MM	DFTG	OH KIM CHYE	DATE 23/07/12
GEN. TOLERANCES	CHKD	QIAO YUN LONG	DATE 23/07/12
LINEAR .0 = ± 0.25 ± 0.38 .00 = ± 0.15 ± 0.25 .000 = ± 0.05	APPVL	ROY LIM	DATE 23/07/12
ANGLE ±° ±3'	THIS DOCUMENT CONTAINS INFORMATION WHICH IS PROPRIETARY TO 3M COMPANY. NO REPRODUCTION OR PUBLICATION OF THIS DOCUMENT, IN WHOLE OR IN PART, SHALL BE MADE WITHOUT AUTHORIZATION FROM 3M. ©3M 2012. ALL RIGHTS RESERVED.		
PROJECTION	INTERPRET PER ASME Y14.5M-1994		



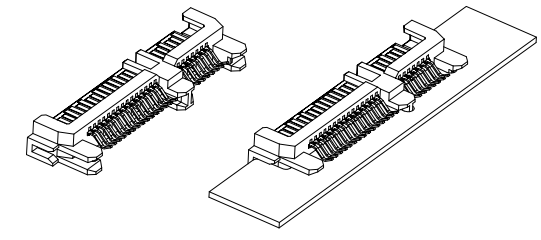
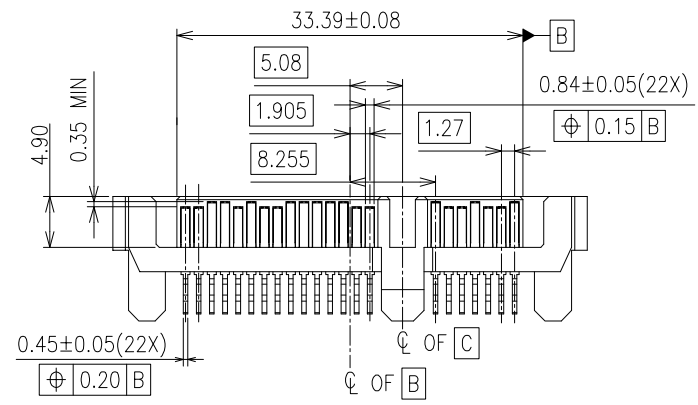
DIVISION		ESD	STATUS RELEASED
MODEL			
TITLE Serial Advanced Technology Attachment (SATA) Combo Connector Device Plug, Straddlemount and Right Angle, Through-Hole			
SIZE A3	DRAWING NO. 78-5100-2109-6		REV A
SCALE : 2:1		DET LIST	<input type="checkbox"/> YES <input type="checkbox"/> NO
		SHT	1 of 2

3M™ Serial Advanced Technology Attachment (SATA) Combo Connector
Device Plug, Straddlemount and Right Angle, Through-Hole, 5622 Series

REVISION RECORD		
REV.	ECR/ECN/ECO NUMBER	DATE
REFER TO SHT 1 of 2		



RECOMMENDED PCB LAYOUT
PCB THICKNESS 1.04+0.13/-0.08



STRADDELMOUNT

Visit <http://www.3Mconnector.com>

UNIT: MM	DFTG	OH KIM CHYE	DATE 23/07/12		DIVISION	ESD	STATUS RELEASED
GEN. TOLERANCES	CHKD	QIAO YUN LONG	DATE 23/07/12		MODEL		
LINEAR .0 = ± 0.25 .00 = ± 0.15 .000 = ± 0.05	APPVL	ROY LIM	DATE 23/07/12	TITLE Serial Advanced Technology Attachment (SATA) Combo Connector Device Plug, Straddlemount and Right Angle, Through-Hole			
ANGLE ±± ±3°	THIS DOCUMENT CONTAINS INFORMATION WHICH IS PROPRIETARY TO 3M COMPANY. NO REPRODUCTION OR PUBLICATION OF THIS DOCUMENT, IN WHOLE OR IN PART, SHALL BE MADE WITHOUT AUTHORIZATION FROM 3M. ©3M 2012. ALL RIGHTS RESERVED.			SIZE A3	DRAWING NO. 78-5100-2109-6		REV A
PROJECTION	INTERPRET PER ASME Y14.5M-1994			SCALE : 2:1		DET LIST	<input type="checkbox"/> YES <input type="checkbox"/> NO
						SHT	2 of 2

Mouser Electronics

Authorized Distributor

Click to View Pricing, Inventory, Delivery & Lifecycle Information:

[3M:](#)

[5622-4100-ML](#) [5622-6309-ML](#) [5622-720F-ML](#)