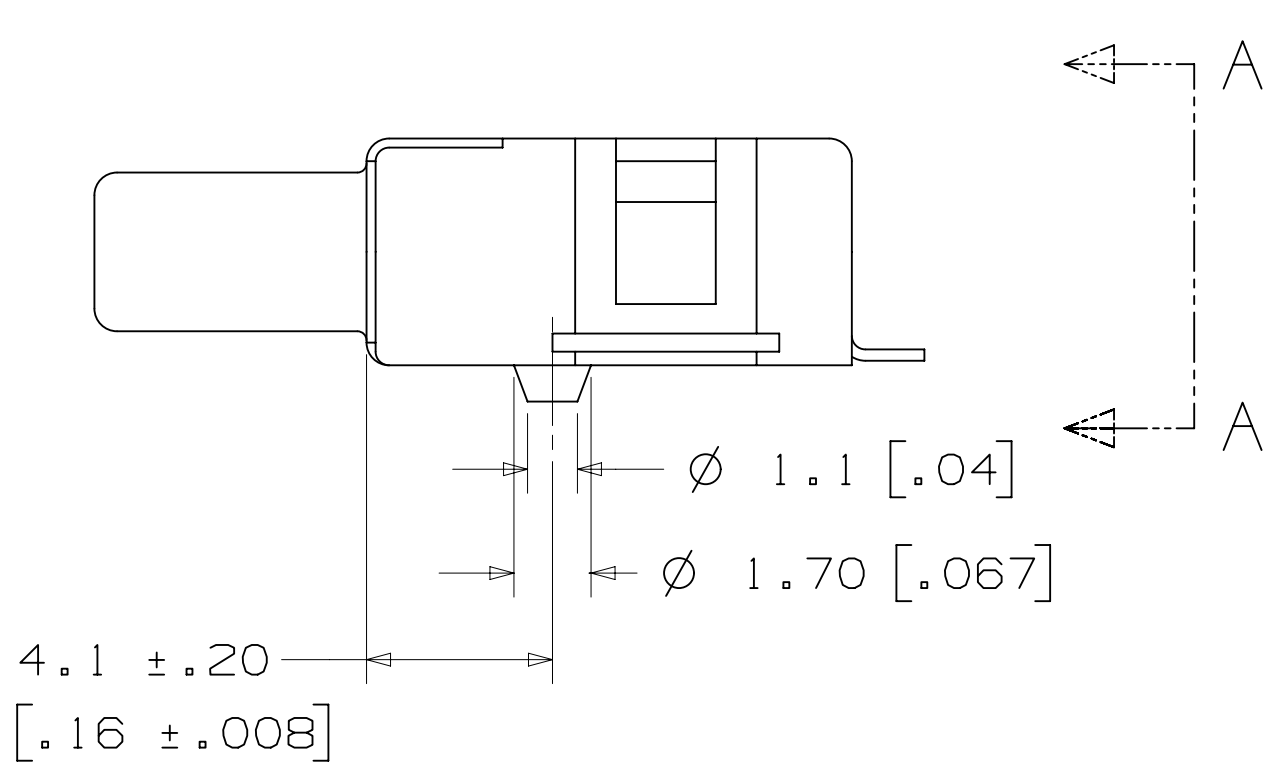
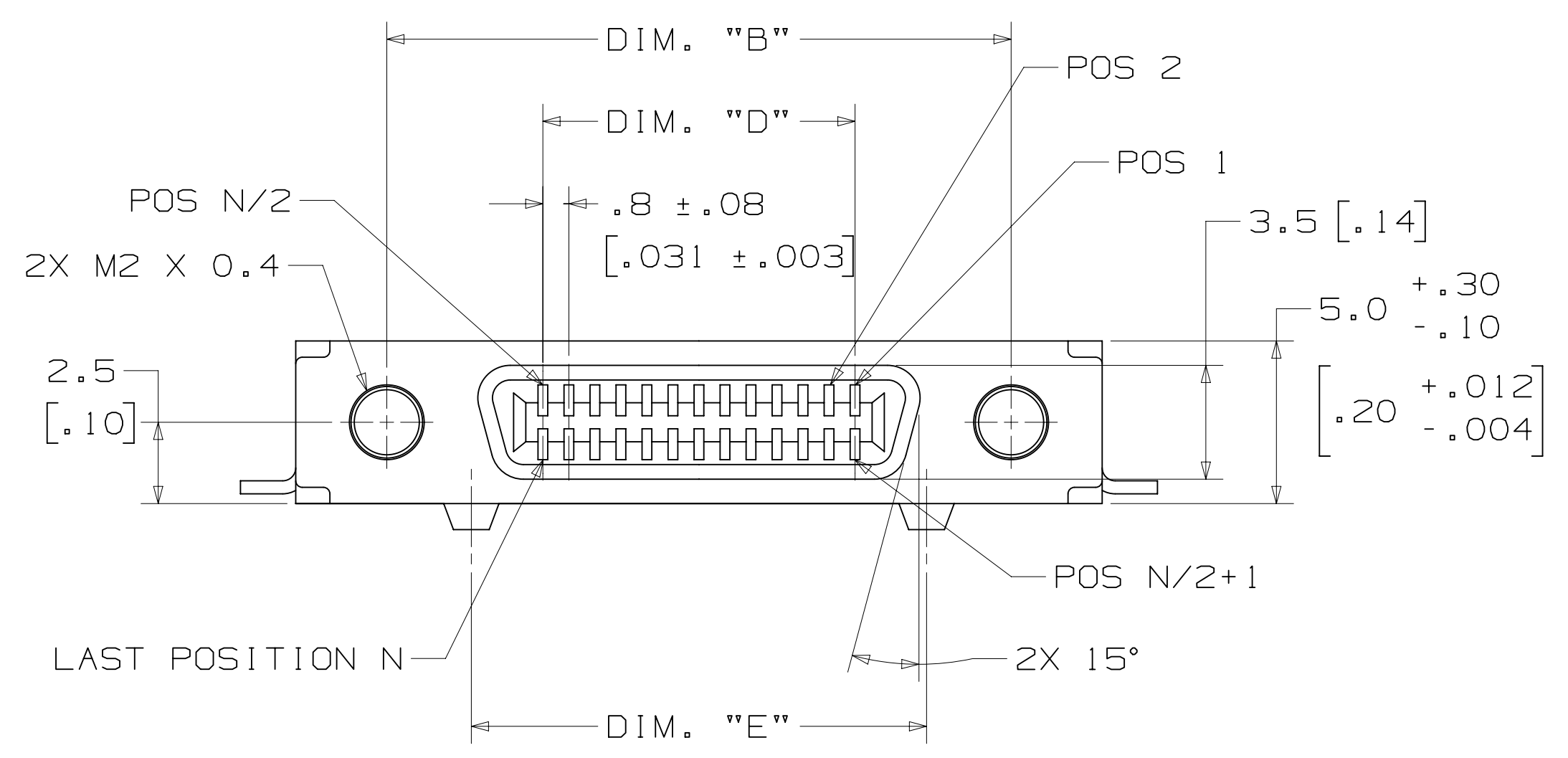
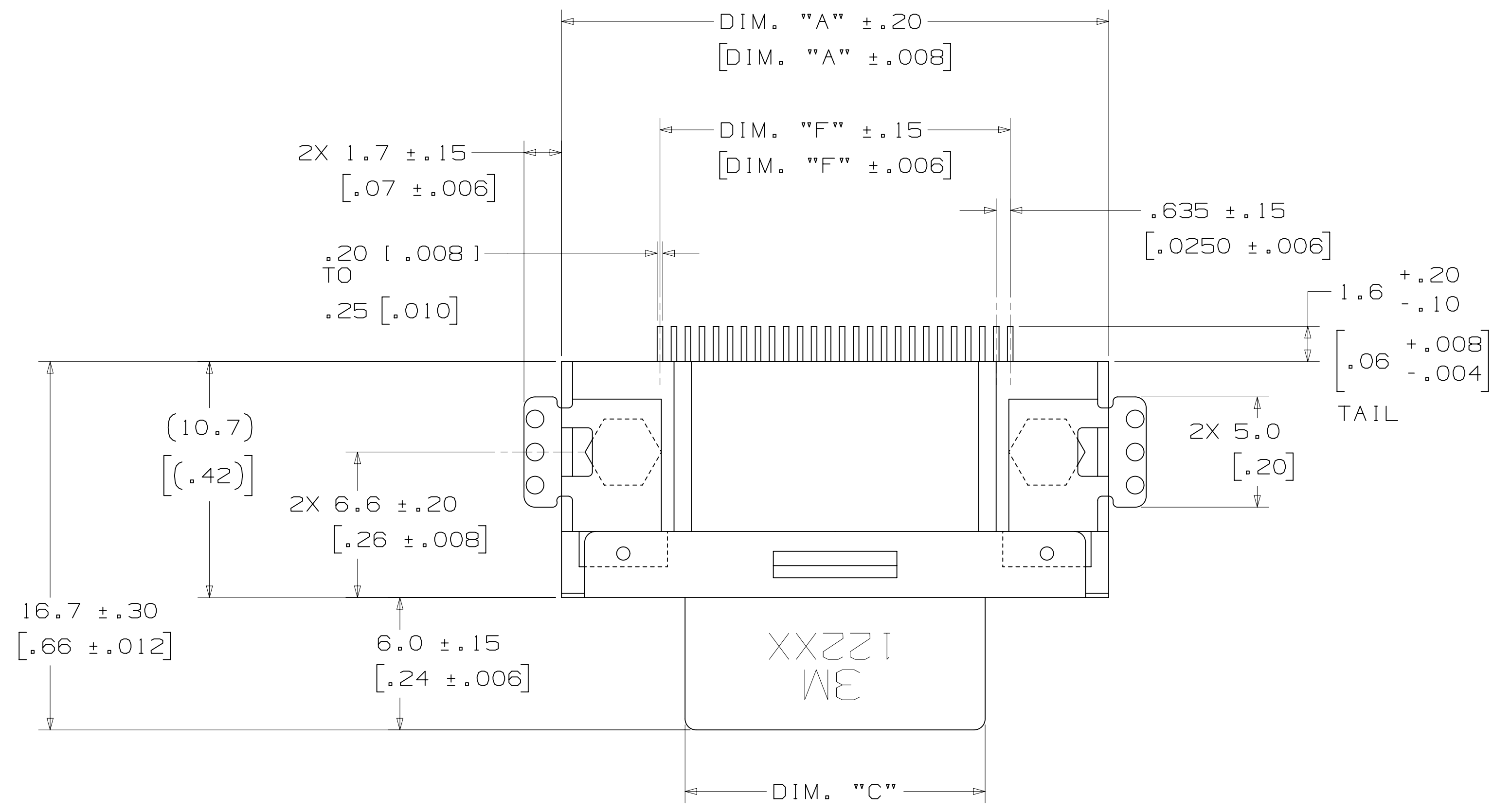


3M™ Shrunk Delta Ribbon (SDR) Connectors, 122 Series
 .80 mm Surface Mount, Right Angle Receptacle, Shielded



POSITION	DIM. "A"	DIM. "B"	DIM. "C"	DIM. "D"	DIM. "E"	DIM. "F"	DIM. "G"
14	20.0 [.79]	14.4 [.57]	8.8 [.35]	4.8 [.19]	9.2 [.36]	8.255 [.3250]	19.0 [.75]
26	24.8 [.98]	19.2 [.76]	13.6 [.54]	9.6 [.38]	14.0 [.55]	15.875 [.6250]	23.8 [.94]

CONNECTOR DIMENSION TABLE
 TABLE 1



- NOTES
- MATERIAL:
 INSULATION: 14 PIN: PPS, 26 PIN: LCP
 COLOR: BLACK, UL94V-0

 CONTACT: COPPER ALLOY
 PLATING:
 SEE ORDERING INFO SHEET 2

 SHROUD & LATCH HOOK: STEEL
 PLATING: NICKEL

 GROUND LOCK: COPPER ALLOY
 PLATING: SEMI-BRIGHT TIN OVER NICKEL

 LOCK SCREW: STEEL
 PLATING: NICKEL

 ALIGNMENT PLATE: PPS
 COLOR: BLACK, UL94V-0

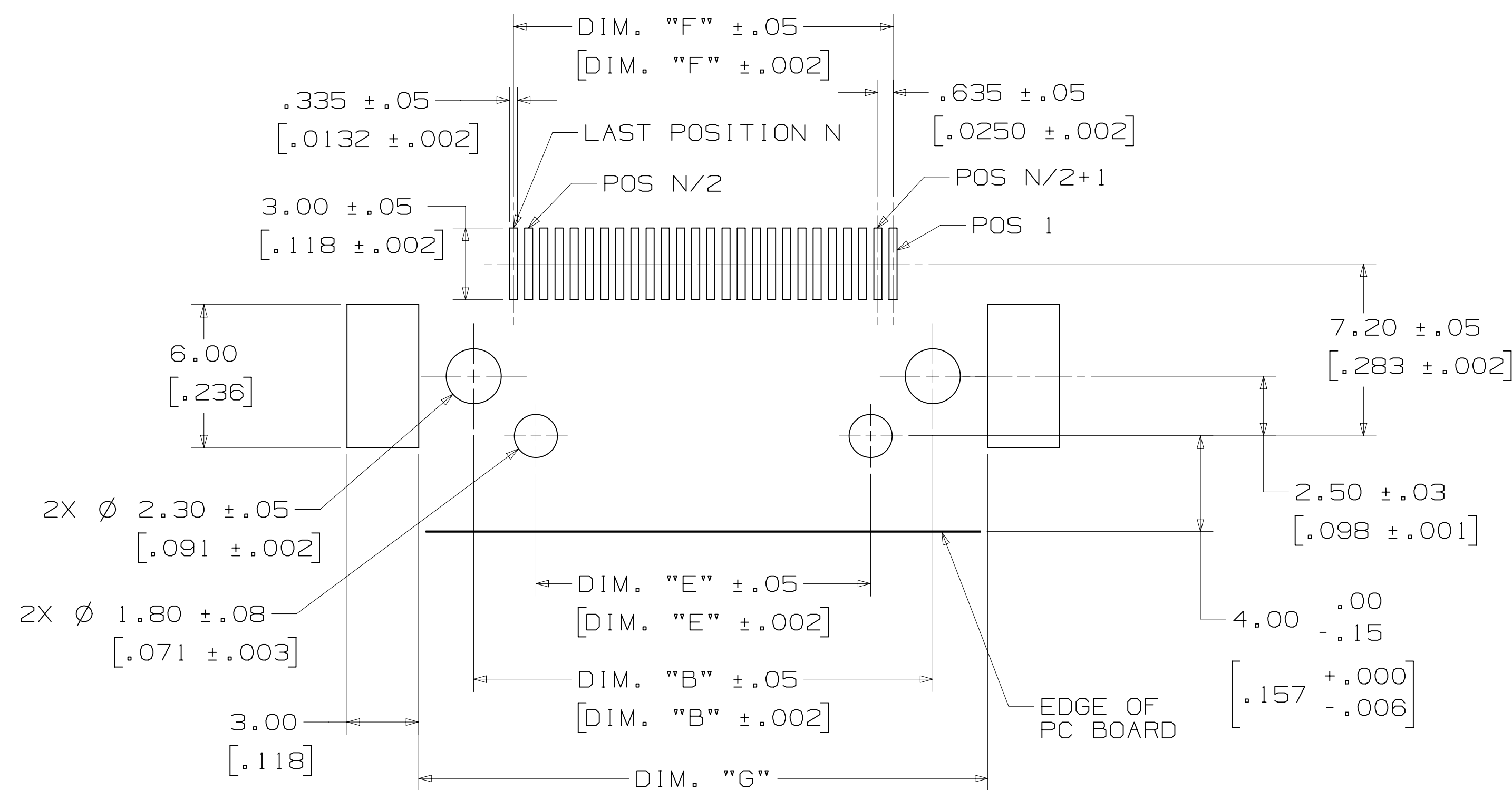
 EARTH PLATE: COPPER ALLOY
 PLATING: TIN

 HEX NUT: BRASS
 - MARKING: 3M LOGO AND PART NUMBER.
 - ELECTRICAL:
 CURRENT RATING: 0.5 A
 INSULATION RESISTANCE: 500 MΩ MIN AT 250 V_{DC}
 WITHSTANDING VOLTAGE: 350 V_{AC} FOR 1 MINUTE
 - ENVIRONMENTAL:
 TEMPERATURE RATING:
 -40°C TO +70°C
 PROCESS RATING:
 REFLOW: PREHEAT 150° TO 180°C,
 90 TO 120 SECONDS
 30 TO 60 SECONDS, PEAK TEMPERATURE
 IS 250°C MAX.
 SOLDER IRON: 380°C MAX, 3 SECONDS MAX.
 - IN THE EVENT OF CONFLICT BETWEEN THIS DATA
 AND THAT CONTAINED IN THE PRODUCT
 SPECIFICATION, THE PRODUCT SPECIFICATION
 TAKES PRECEDENT.
 - FOR VARIOUS PANEL THICKNESS JACKSOCKETS
 REFER TO TS-0142.
 - SEE REGULATORY INFORMATION APPENDIX (RIA)
 IN THE "RoHS COMPLIANCE" SECTION OF
WWW.3MCONNECTOR.COM FOR COMPLIANCE INFORMATION.

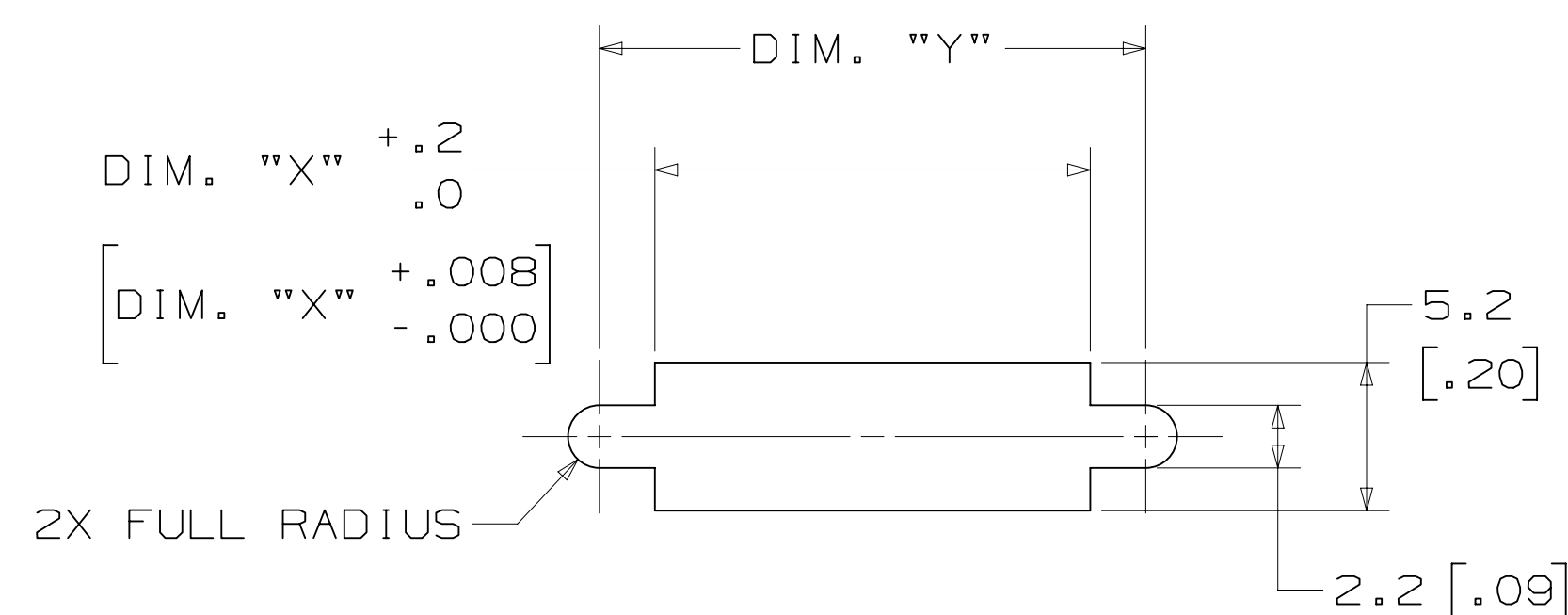
DIMENSIONS ARE IN MM.
 SECONDARY ARE IN [INCHES]
 AND ARE FOR REFERENCE ONLY

DESIGN REFERENCE	NEXT ASSEMBLY	REV	ECO	ISSUE DATE AND DESCRIPTION	DRFT	CHKD
DIVISION	DIVISION CODE	DATE	DATE	DATE	DATE	DATE
Interconnect Solutions	ISD	JAN 07, 2011	MFG	MAR 30, 2011		
DO NOT SCALE DRAWING	SCALE 6-1	TOLERANCES EXCEPT AS NOTED		INCHES .00 ±.006 .000 ±.006 .0000 ±.005 MILLIMETERS 0 ± .0 ±.15 .00 ±.15 .000 ±.13 ANGLES MARKED ONLY		
THIRD ANGLE PROJECTION	INTERPRET PER ASME Y14.5 - 1994	MAX SURFACE ROUGHNESS SURFACES MARKED ONLY		TITLE 3M SHRUNK DELTA RIBBON (SDR) CONN. 122XX-82X0-00XX CAGE NUMBER D 78-5100-2125-2 MODEL 12200		
		F 40541 MAY 01, 2012 ADD 'PL' PLATING SPEC E 30752 JAN 05, 2011 REVISED AND REDRAWN		ARM DFC JNC SC		
		REV ECO ISSUE DATE AND DESCRIPTION DRFT CHKD		CASTIGLIONE JAN 07, 2011 MFG DATE D. CRONCH MAR 30, 2011 DATE		
		DIVISION 3M Center St. Paul, MN 55144		© 3M COPYRIGHT 2012 This document and the information it contains are 3M property and may not be reproduced or further distributed without 3M permission, or used or disclosed other than for 3M authorized purposes. All rights reserved.		
		UL FILE NO: E68080		REV. F SHT 1 OF 2		

3M™ Shrunk Delta Ribbon (SDR) Connectors, 122 Series
 .80 mm Surface Mount, Right Angle Receptacle, Shielded



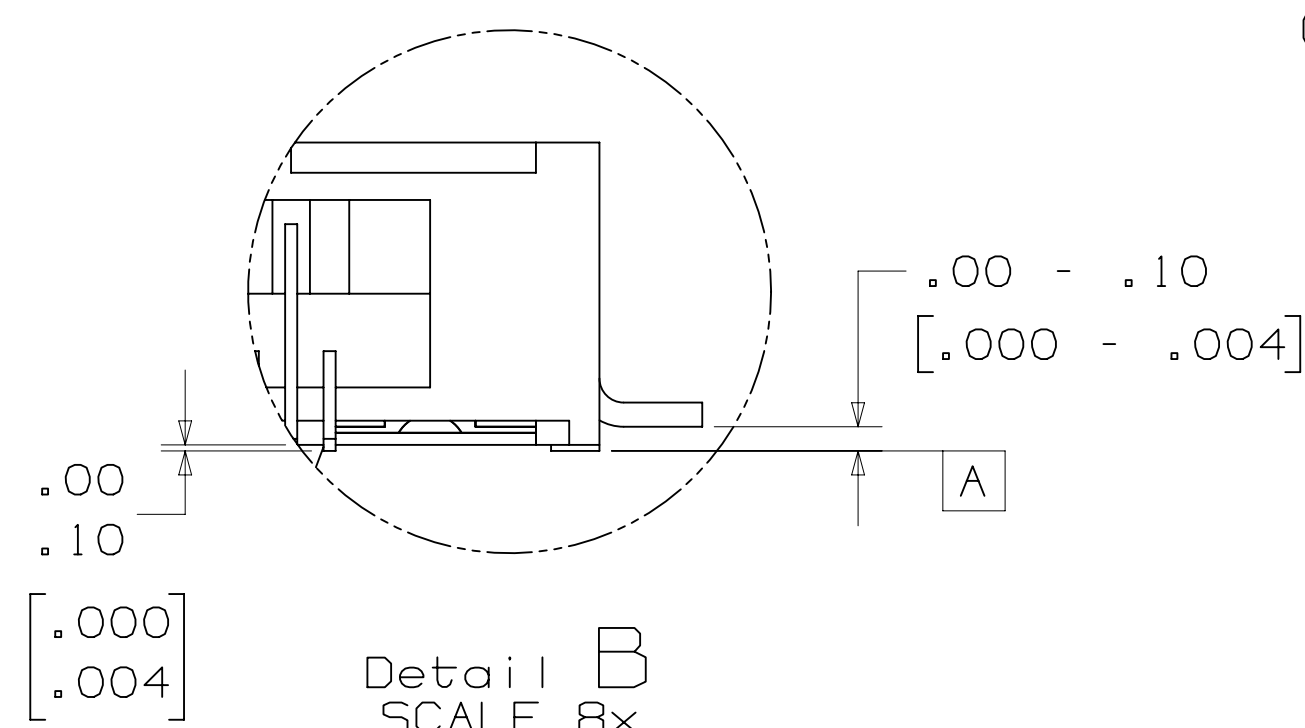
RECOMMENDED PC BOARD LAYOUT
 (MOUNT SIDE VIEW)
 N = TOTAL NUMBER OF POSITIONS
 SCALE 6X



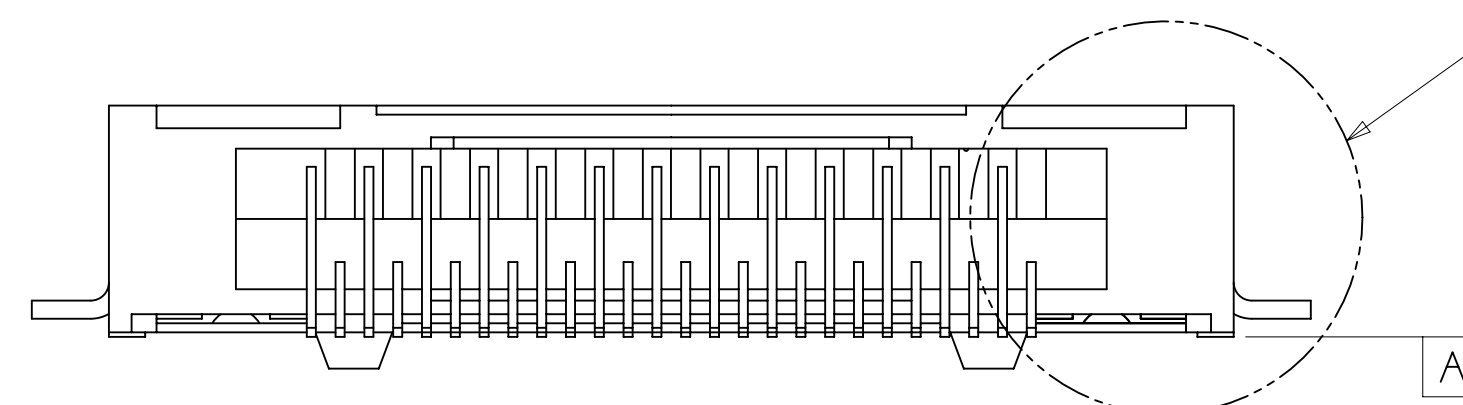
RECOMMENDED PANEL CUT-OUT
 (MAXIMUM PANEL THICKNESS 1.2MM)

POSITION	DIM. "X"	DIM. "Y"
14	10.5 [.41]	14.4 [.57]
26	15.3 [.60]	19.2 [.76]

RECOMMENDED PANEL CUT-OUT DIMENSION TABLE
 TABLE 2

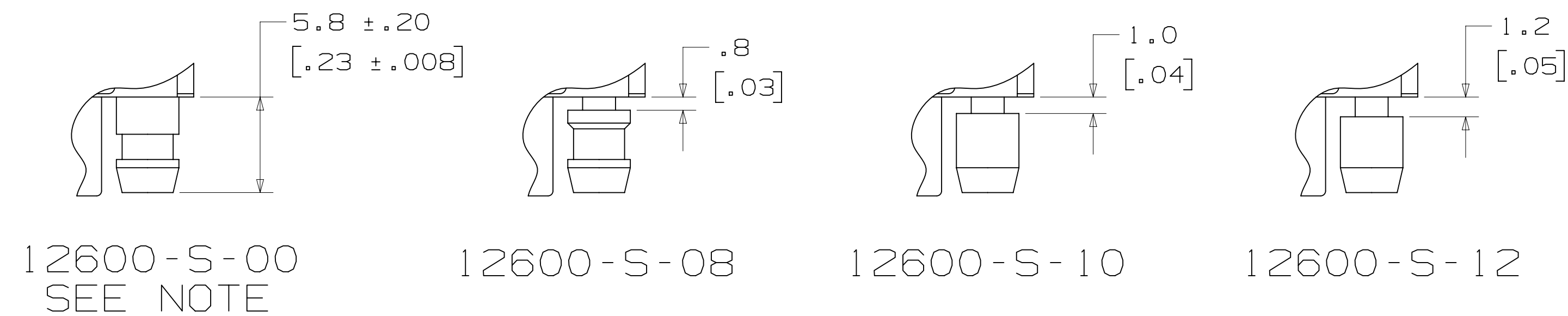


Detail B
 SCALE 8x



VIEW A-A
 SCALE 6X

THE DIMENSION OF PIN TAILS LOWER SURFACE TO DATUM "A" SURFACE: 0.00 TO 0.10 [.000 TO .004].
 NOTE: THE CONNECTOR SHOULD BE ON FLAT FIXTURE SURFACE WHEN THE DIMENSIONS ARE MEASURED.



JACKSOCKET
 M2 X 0.4

NOTE: JACKSOCKET 12600-S-00 COMES FACTORY INSTALLED IN CONNECTOR 122XX-8250-00FR. IT IS FIXED WITH THREAD LOCKING ADHESIVE AND CANNOT BE REMOVED.

PANEL THICKNESS	CONNECTOR	JACKSOCKET
NO PANEL	122XX-8250-00XX	FACTORY INSTALLED (SEE NOTE)
0.8±0.1MM	122XX-8200-00XX	12600-S-08 (ORDER SEPARATELY)
1.0±0.1MM	122XX-8200-00XX	12600-S-10 (ORDER SEPARATELY)
1.2±0.1MM	122XX-8200-00XX	12600-S-12 (ORDER SEPARATELY)

SELECTION TABLE FOR PANEL MOUNTING
 TABLE 3

ORDERING INFORMATION:
 122XX-82X0-00XX

CONTACT QUANTITY (SEE TABLE 1)

PLATING OPTION:

FR = 50-100µ" NICKEL UNDERPLATE
 30µ" GOLD MIN. WIPE AREA
 FLASH GOLD TERM AREA (TAIL)

PL = 50-100µ" NICKEL UNDERPLATE
 8µ" GOLD MIN. WIPE AREA
 FLASH GOLD TERM AREA (TAIL)

SCREW LOCK OPTION: (SEE TABLE 3)

0=NONE
 (RIA E1 & C1 APPLY)
 5=WITH 12600-S-00 NON-REMOVABLE SCREW LOCK
 (RIA E5 & C3 APPLY)

DESIGN REFERENCE	NEXT ASSEMBLY	REV	ECO	ISSUE DATE AND DESCRIPTION	DRFT	CHKD
		F	40541	MAY 01, 2012 ADD 'PL' PLATING SPEC	ARM	DFC
		E	30752	JAN 05, 2011 REVISED AND REDRAWN	JNC	SC

DESIGNER	CHECKED	DATE	APPROVED	DATE
CASTIGLIONE		JAN 07, 2011	D. CRONCH	MAR 30, 2011

DO NOT SCALE DRAWING	SCALE	TOLERANCES EXCEPT AS NOTED
	4 1	INCHES .00 ±.006 .000 ±.006 .0000 ±.005
		MILLIMETERS 0 ± .00 ±.15 .000 ±.13

3M	3M Center St. Paul, MN 55144	3M PROPERTY AND INFORMATION CONTAINED HEREIN IS UNCLASSIFIED EXCEPT WHERE SHOWN OTHERWISE.
TITLE		© 3M COPYRIGHT 2012
3M SHRUNK DELTA RIBBON (SDR) CONN. 122XX-82X0-00XX		This document and the information it contains are 3M property and may not be reproduced or further distributed without 3M permission, or used or disclosed other than for 3M authorized purposes. All rights reserved.
CAGE NUMBER	SIZE	DRAWING NO.
D	78-5100-2125-2	F
MODEL	12200	REV. 1
DATE	12/15	YES
NO	X	NO
SHT	2	OF 2

Mouser Electronics

Authorized Distributor

Click to View Pricing, Inventory, Delivery & Lifecycle Information:

3M:

[12226-8200-00PL](#)