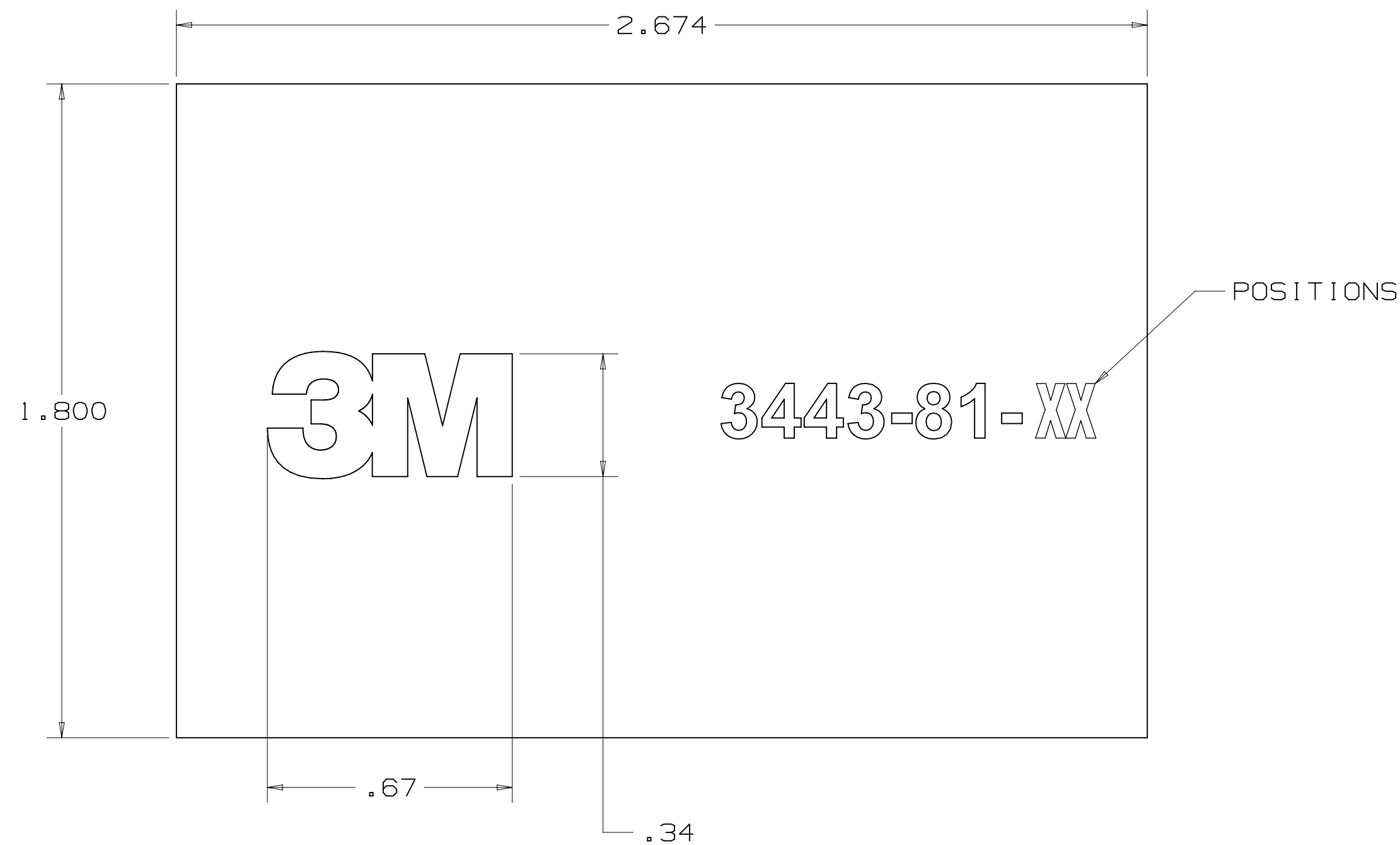
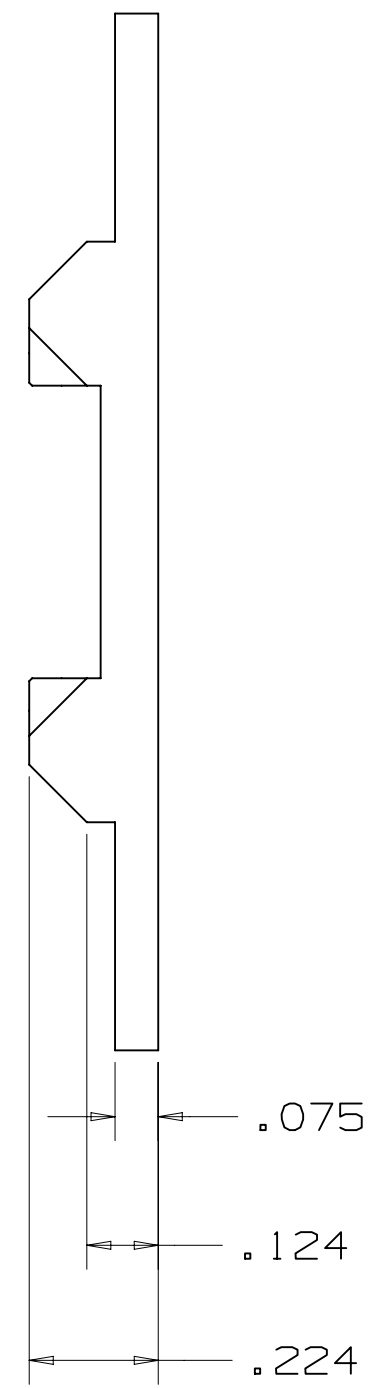
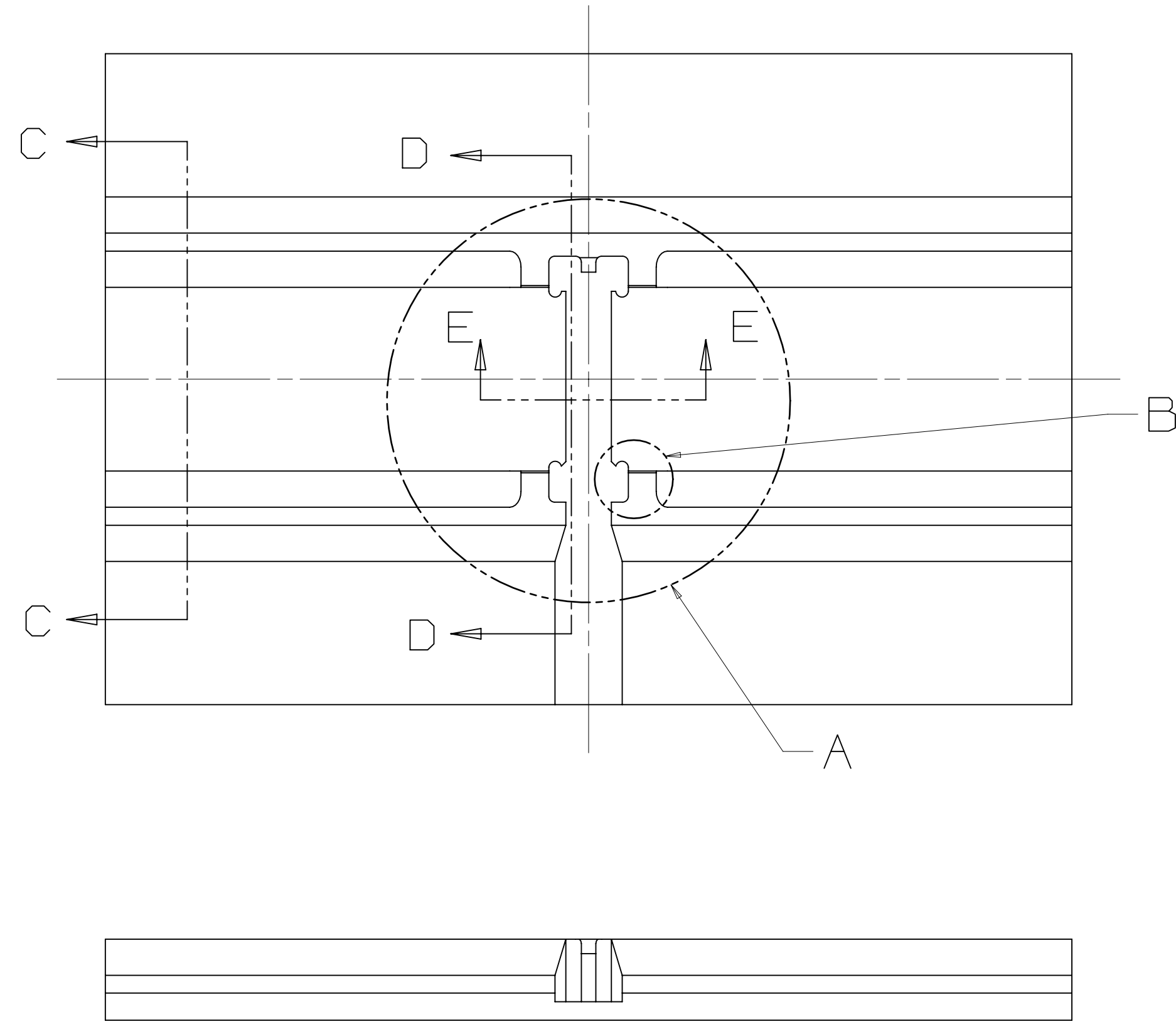
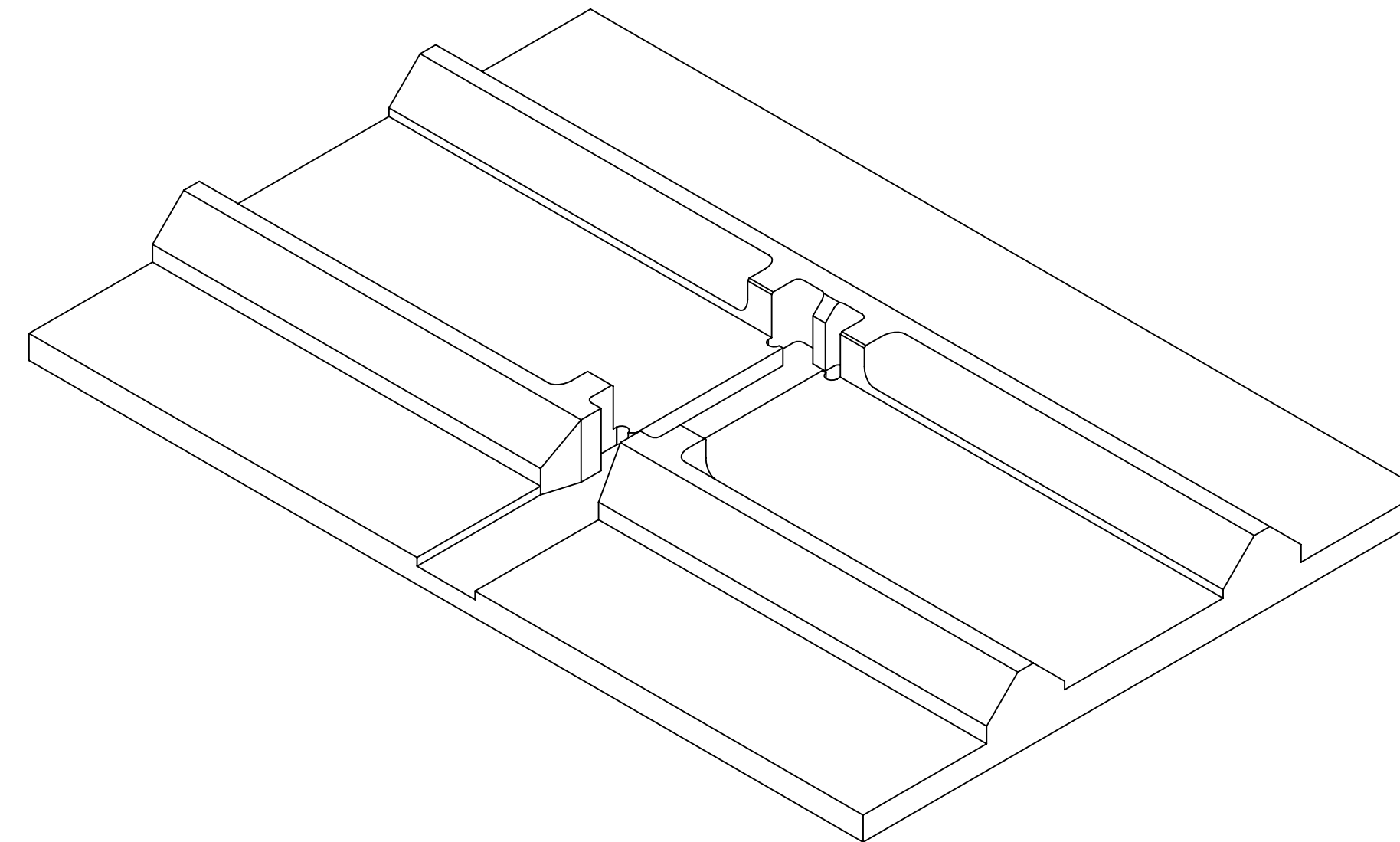


3M™ APPLICATION TOOLING, 3D PRINTED, 3443-81-XX, 451 SERIES
LOCATOR PLATE AND BASE



POS.	CONNECTOR	TOOLING PART No.
04	45104	3443-81-04
06	45106	3443-81-06
08	45108	3443-81-08
10	45110	3443-81-10
12	45112	3443-81-12
14	45114	3443-81-14
16	45116	3443-81-16
20	45120	3443-81-20
26	45126	3443-81-26
30	45130	3443-81-30
34	45134	3443-81-34
40	45140	3443-81-40
50	45150	3443-81-50
BASE	ALL	3443-81-00

- NOTES
1. MATERIAL: ABS
 2. TEXT HEIGHT: .150±.005.
 3. INSERT ON PAGES 1 AND 2.
 4. BASE ON PAGE 3
 5. STL FILES ARE AVAILABLE FOR DOWNLOAD.
 6. 3M PROVIDES THESE FILES AND PRINTS AS REFERENCE ONLY. NO WARRANTY IS IMPLIED. CUSTOMER IS RESPONSIBLE FOR INSURING PLATE WORKS FOR THEIR APPLICATION AND ASSEMBLY PROCESS. PLATES ARE INTENDED FOR SMALL VOLUMES ONLY. FOR LARGER QUANTITIES, ORDER 3443-82-XX FROM 3M.
 7. 3M INSTRUCTION GUIDE FOR APPLICATION TOOLING: 78-9102-1086-9.
 8. ALL CHANGES MUST BE APPROVED BY 3M ENGINEERING BEFORE BEING IMPLEMENTED.
 9. SEE TECH SHEET TS-2436 FOR ADDITIONAL CONNECTOR DETAILS AND BASIC PART NUMBERING SCHEME.



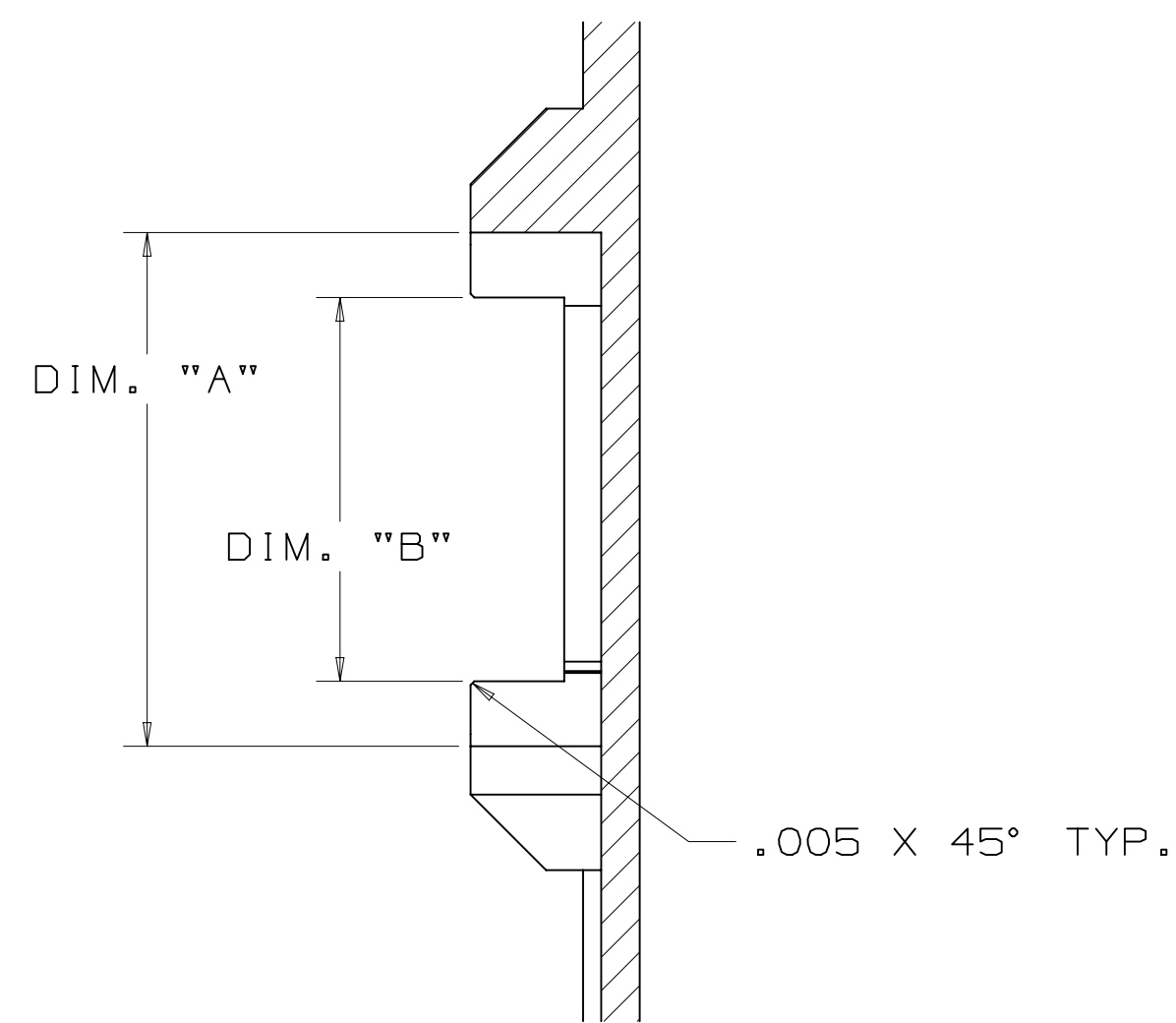
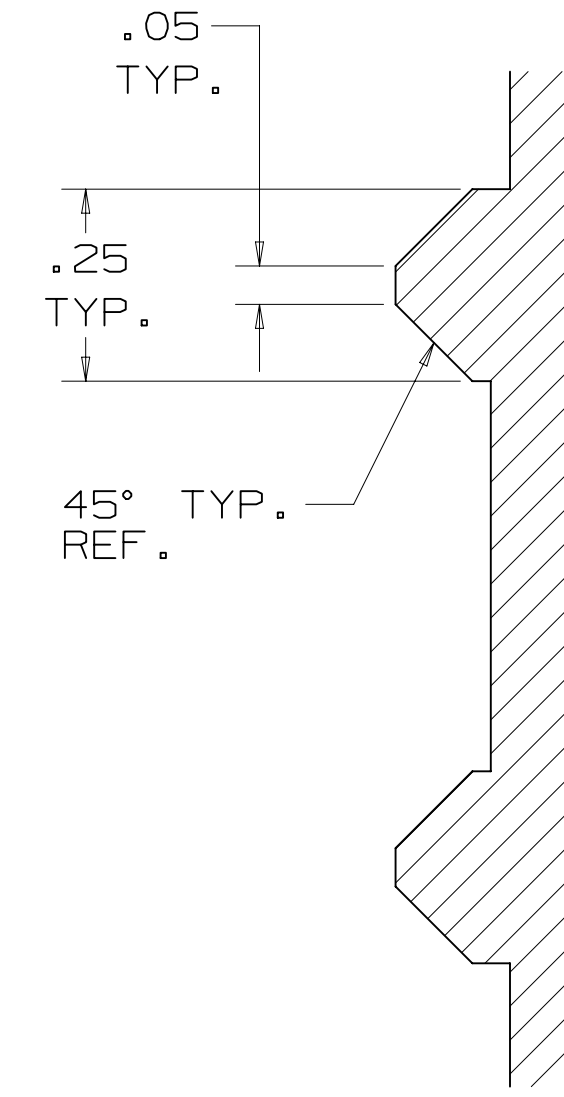
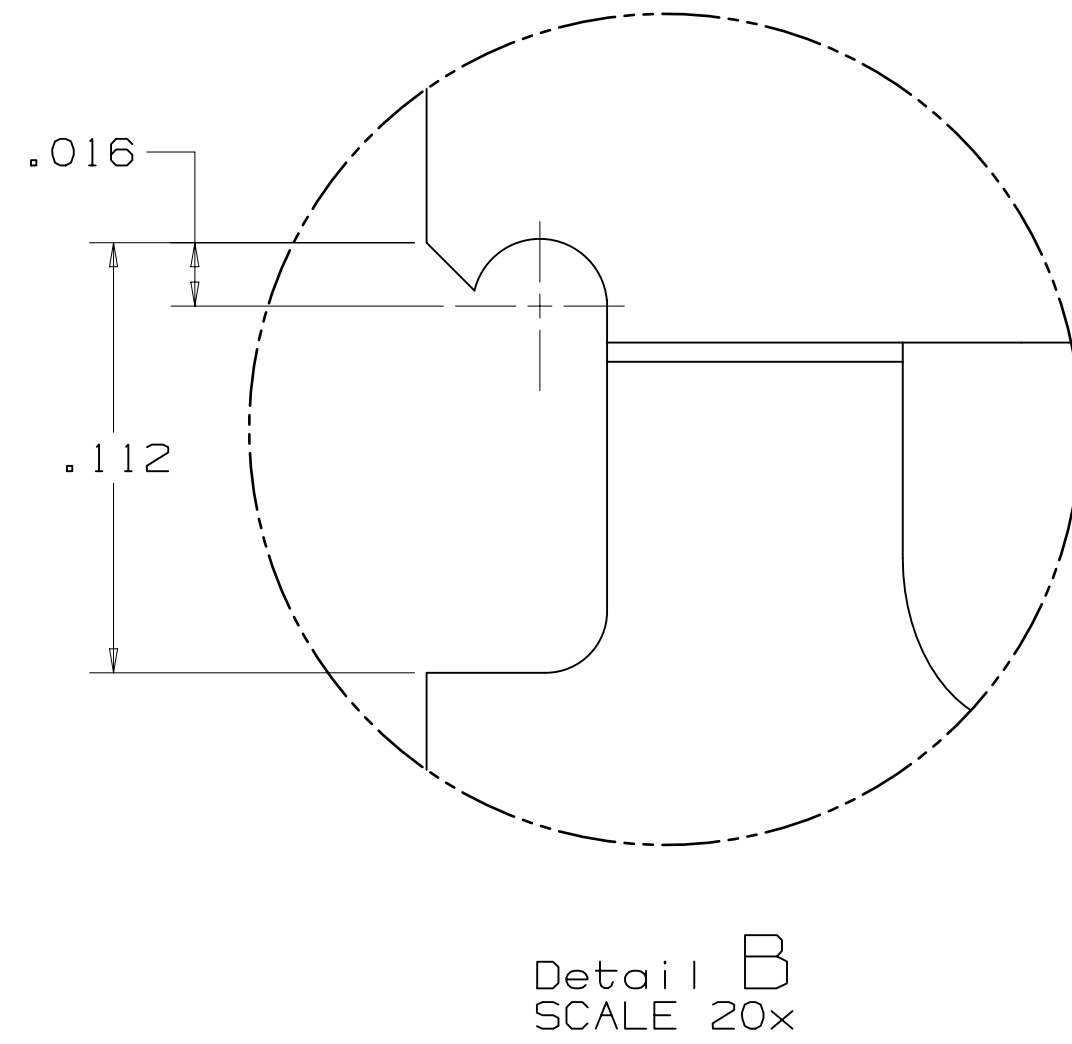
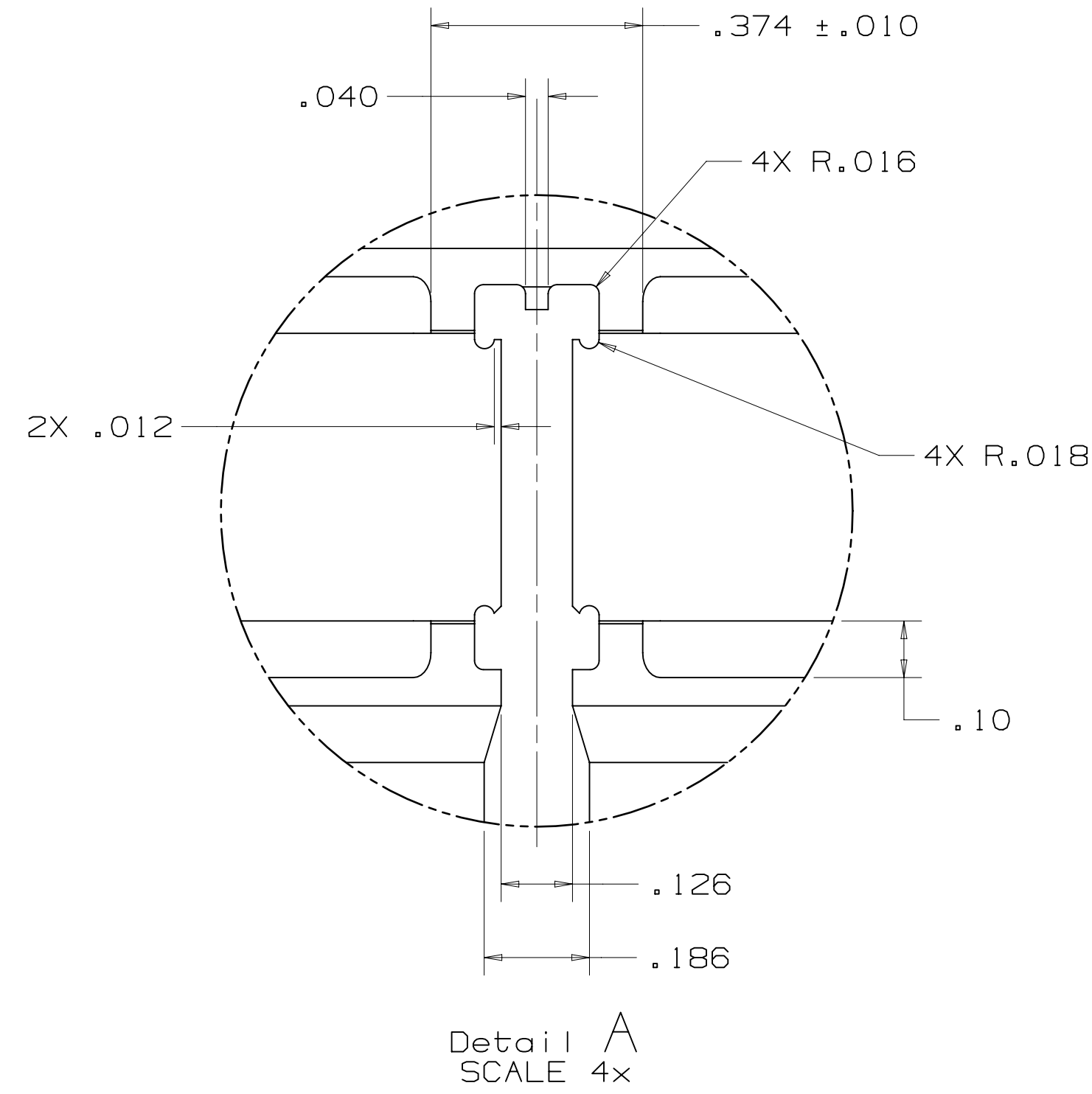
3M ELECTRONICS MATERIALS SOLUTIONS DIVISION
INTERCONNECT SOLUTIONS
<http://www.3M.com/interconnect>

3M IS A TRADEMARK OF 3M COMPANY.
FOR TECHNICAL, SALES OR ORDERING
INFORMATION CALL 800-225-5373

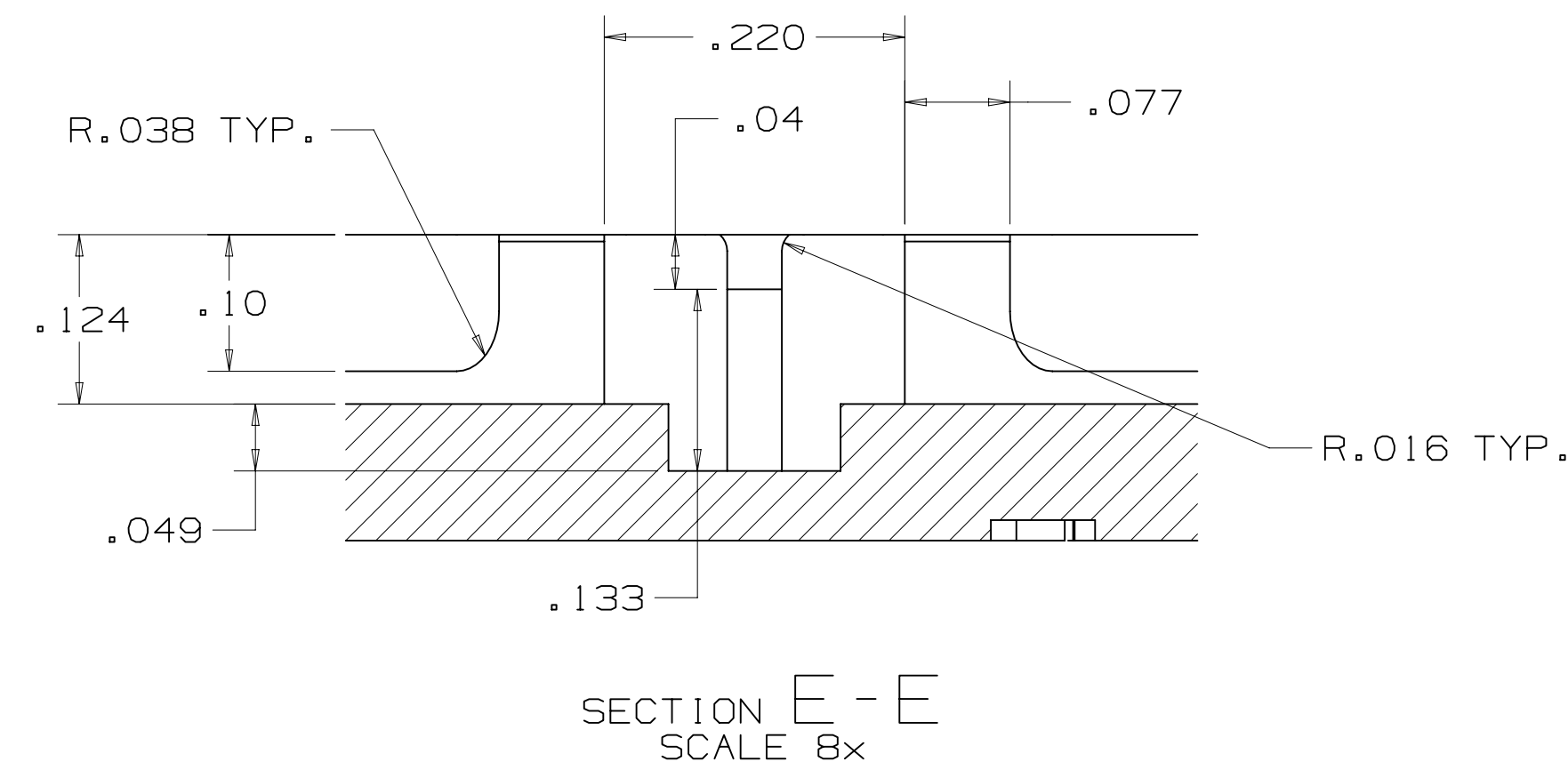
DESIGN REFERENCE	NEXT ASSEMBLY	REV	ECO	ISSUE DATE AND DESCRIPTION	DRFT	CHKD
		SJS		DEC 18, 2013		
		SAN		DEC 18, 2013		
DIVISION	DIVISION CODE	© 3M COPYRIGHT 2021 This document and the information it contains are 3M property and may not be reproduced or further distributed without 3M permission, or used or disclosed other than for 3M authorized purposes. All rights reserved.				
DO NOT SCALE DRAWING	SCALE 3/1	3M Center St. Paul, MN 55144				
THIRD ANGLE PROJECTION	TOLERANCES EXCEPT AS NOTED	INCHES: .0 ± .1 .00 ± .01 .000 ± .005 .0000 ± .0002				
INTERPRET PER ASME Y14.5 - 2018	MILLIMETERS	0 ± .0 ± .00 ± .000 ±				
MAX SURFACE ROUGHNESS	ANGLES ±3°	MODEL 451				
MARKED SURFACES		TITLE APPLICATION TOOLING, 3D PRINTED, 3443-81-XX, 451				
MARKED ONLY		CAGE NUMBER D78-5100-2644-2				
		REV. B				

78-5100-2644-2
 DRAWING NUMBER
 B
 1/21/2021
 -- UTC
 Drf-set (hrs) 6

3M™ APPLICATION TOOLING, 3D PRINTED, 3443-81-XX, 451 SERIES
LOCATOR PLATE AND BASE



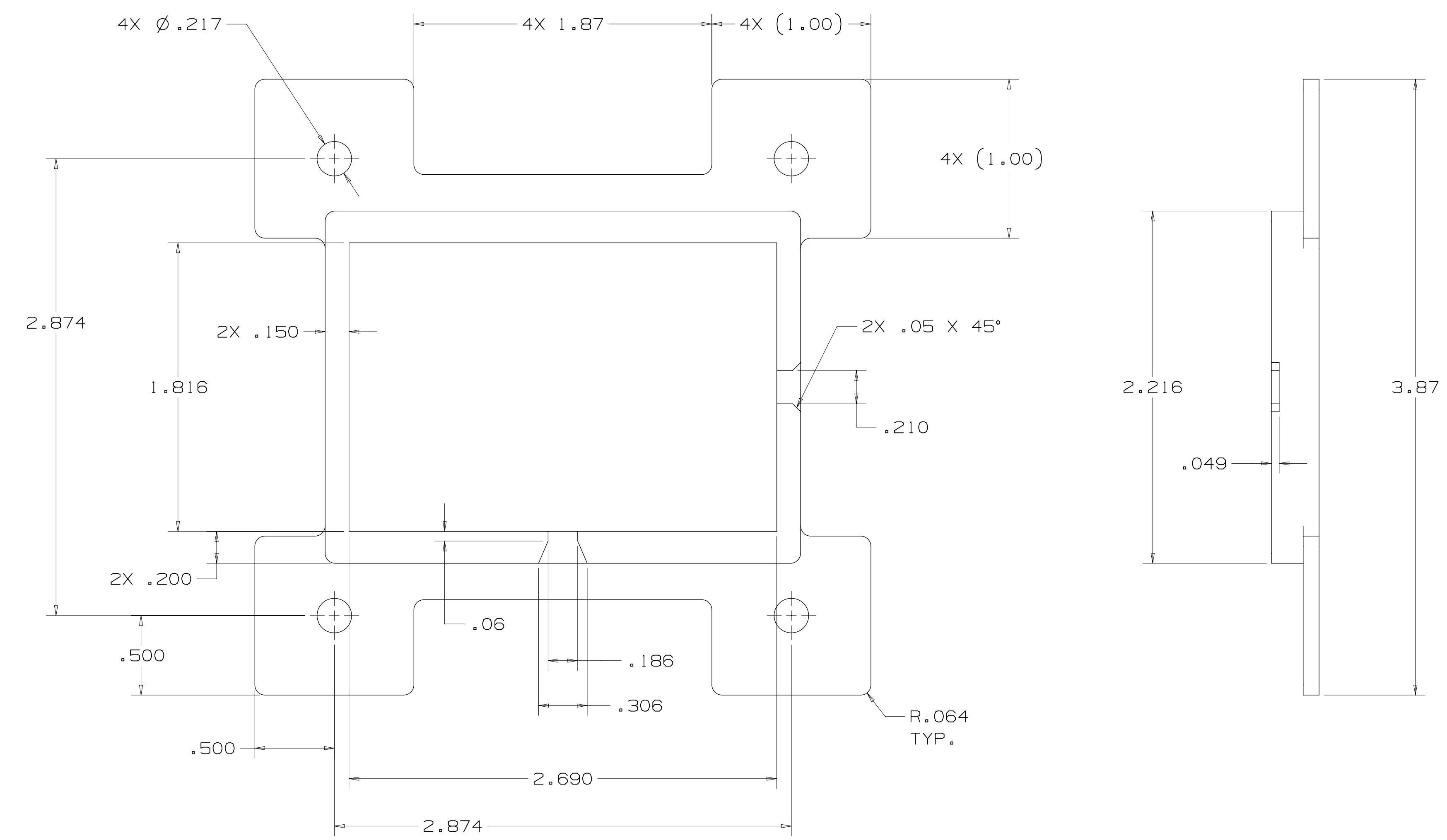
POS.	DIM. A	DIM. B
04	0.28	0.11
06	0.33	0.16
08	0.38	0.21
10	0.43	0.26
12	0.48	0.31
14	0.53	0.36
16	0.58	0.41
20	0.68	0.51
26	0.83	0.66
30	0.93	0.76
34	1.03	0.86
40	1.18	1.01
50	1.43	1.26



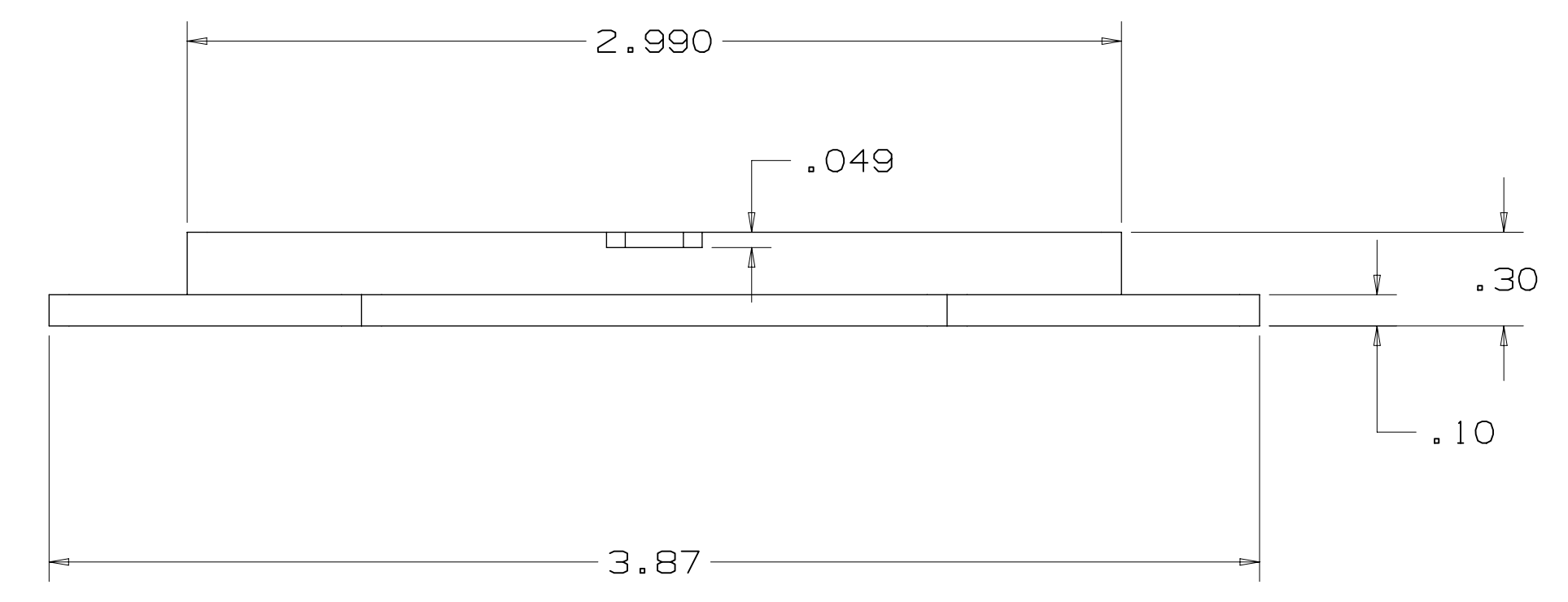
DESIGN REFERENCE	NEXT ASSEMBLY	REV	ECO	ISSUE DATE AND DESCRIPTION	DRFT	CHKD
		SJS		DEC 18, 2013		
		SAN		DEC 18, 2013		
DIVISION	DIVISION CODE	© 3M COPYRIGHT 2021 This document and the information it contains are 3M property and may not be reproduced or further distributed without 3M permission, or used or disclosed other than for 3M authorized purposes. All rights reserved.				
DO NOT SCALE DRAWING	SCALE 4/1	TOLERANCES EXCEPT AS NOTED INCHES: .0 ±.01 .00 ±.005 .0000 ±.0002 MILLIMETERS: 0 ±.05 .00 ±.005 .000 ±.0002 ANGLES ±3°				
THIRD ANGLE PROJECTION	INTERPRET PER ASME Y14.5 - 2018	TITLE APPLICATION TOOLING, 3D PRINTED, 3443-81-XX, 451				
MAX SURFACE ROUGHNESS	DT SURFACES	CAGE NUMBER	SIZE	DRAWING NO.	REV.	
MARKED ONLY		D78-5100-2644-2	B	451	2	4

78-5100-2644-2
 DRAWING NUMBER
 B
 REVISION
 1/21/2021
 UTC
 Drr-set (hrs) 6
 A
 Standard Time

3M™ APPLICATION TOOLING, 3D PRINTED, 3443-81-XX, 451 SERIES
LOCATOR PLATE AND BASE



3443-81-00
BASE



DESIGN REFERENCE	NEXT ASSEMBLY	REV	ECO	ISSUE DATE AND DESCRIPTION	DRFT	CHKD
		SJS		DEC 18, 2013		
		SAN		DEC 18, 2013		

REV	DATE	DESCRIPTION	DRFT	CHKD
B	94187	JAN 21, 2021	JNC	SAN
		REVISED AND REDRAWN		
A	55321	JAN 03, 2014	SJS	SAN
		PRODUCTION RELEASE		

DO NOT SCALE DRAWING	SCALE	TOLERANCES EXCEPT AS NOTED	3M
	2/1	INCHES .00 ± .01 .000 ± .005 .0000 ± .0002	 <small>© 3M COPYRIGT 2021 St. Paul, MN 55144 This document and the information it contains are 3M property and may not be reproduced or further distributed without 3M permission, or used or disclosed other than for 3M authorized purposes. All rights reserved.</small>
		MILLIMETERS 0 ± .00 ± .000 ±	

TITLE	CAGE NUMBER	SIZE	DRAWING NO.	REV.
APPLICATION TOOLING, 3D PRINTED, 3443-81-XX, 451	D		78-5100-2644-2	B

MAX SURFACE ROUGHNESS	MARKED SURFACES	MARKED ONLY	ANGLES
0.00 ±	0.00 ±	0.00 ±	±3°

78-5100-2644-2
 DRAWING NUMBER
 B
 REVISION
 1/21/2021
 -- UTC
 Dfn-set (hrs) 6
 6
 OF 4

8 7 6 5 4 3 2 1
 3M™ APPLICATION TOOLING, 3D PRINTED, 3443-81-XX, 451 SERIES
 LOCATOR PLATE AND BASE

Regulatory: For regulatory information about this product, visit 3M.com/regs or contact your 3M representative.

Technical Information: The technical information, recommendations and other statements contained in this document are based upon tests or experience that 3M believes are reliable, but the accuracy or completeness of such information is not guaranteed.

Product Use: Many factors beyond 3M's control and uniquely within user's control can affect the use and performance of a 3M product in a particular application. Given the variety of factors that can affect the use and performance of a 3M product, user is solely responsible for evaluating the 3M product and determining whether it is fit for a particular purpose and suitable for user's method of application.

Warranty, Limited Remedy, and Disclaimer: Unless an additional warranty is specifically stated on the applicable 3M product packaging or product literature, 3M warrants that each 3M product meets the applicable 3M product specification at the time 3M ships the product. 3M MAKES NO OTHER WARRANTIES OR CONDITIONS, EXPRESS OR IMPLIED, INCLUDING, BUT NOT LIMITED TO, ANY IMPLIED WARRANTY OR CONDITION OF MERCHANTABILITY OR FITNESS FOR A PARTICULAR PURPOSE OR ANY IMPLIED WARRANTY OR CONDITION ARISING OUT OF A COURSE OF DEALING, CUSTOM OR USAGE OR TRADE. If the 3M product does not conform to this warranty, then the sole and exclusive remedy is, at 3M's option, replacement of the 3M product or refund of the purchase price.

Limitation of Liability: Except where prohibited by law, 3M will not be liable for any loss or damage arising from the 3M product, whether direct, indirect, special, incidental or consequential, regardless of the legal theory asserted, including warranty, contract, negligence or strict liability.

3M Company
 Electronics Materials Solutions Division
 13011 McCallen Pass, Bldg. C
 Austin, TX 78753-5380
 1-800-225-5373
 www.3M.com/interconnect

DESIGN REFERENCE	NEXT ASSEMBLY	REV	ECO	ISSUE DATE AND DESCRIPTION	DRFT	CHKD
		SJS		DEC 18, 2013		
		SAN		DEC 18, 2013		
DIVISION	DIVISION CODE	© 3M COPYRIGHT 2021 This document and the information it contains are 3M property and may not be reproduced or further distributed without 3M permission, or used or disclosed other than for 3M authorized purposes. All rights reserved.				
DO NOT SCALE DRAWING	SCALE 1/1	TOLERANCES EXCEPT AS NOTED INCHES .0 ± .1 .00 ± .01 .000 ± .005 .0000 ± .0002 MILLIMETERS 0 ± .0 ± .00 ± .000 ±				
THIRD ANGLE PROJECTION	INTERPRET PER ASME Y14.5 - 2018	TITLE APPLICATION TOOLING, 3D PRINTED, 3443-81-XX, 451				
MAX SURFACE ROUGHNESS	DTX SURFACES	CAGE NUMBER	SIZE	DRAWING NO.	REV.	
<input checked="" type="checkbox"/> MARKED ONLY		D	78-5100-2644-2	B		
	ANGLES ±3°	MODEL	451	DET	YES <input type="checkbox"/> NO <input checked="" type="checkbox"/>	SHT 4 OF 4

78-5100-2644-2
 DRAWING NUMBER
 B
 REVISED
 1/21/2021
 -- UTC
 Drf:set (hrs) 6
 6

Mouser Electronics

Authorized Distributor

Click to View Pricing, Inventory, Delivery & Lifecycle Information:

[3M:](#)

[3443-127E](#) [3443-127F](#) [3443-128](#) [3448-45114](#) [45116-010030](#) [45130-010030](#) [3443-127C](#)