

NOTES:

1. Ⓢ REPRESENTS A CRITICAL DIMENSION.
2. GOLD PLATING, OR HEAVY GOLD PLATING TO BE ON LONGER TAIL.
3. MAXIMUM HEIGHT VARIATION: .010[0.25]
4. MAXIMUM ALLOWABLE BOW: .005[0.13] IN/IN AFTER ASSEMBLY.
5. MAXIMUM PIN ROTATION IN BODY: 2°
6. MINIMUM PUSHOUT FORCE: 2 LB.
7. PARTS ARE CUT TO SIZE.
8. MAXIMUM CUT FLASH: .005[0.13]

DO NOT SCALE FROM THIS PRINT

HW-XX-XX-XX-X-XXX-XXX-XX-XXX

No OF POSITIONS
EXPRESSED IN # OF POS
(-01 THRU -50)

OPTION
POLARIZATION

LEAD STYLE
(SEE TABLE 1)

OPTION
-LL: LOCKING LEAD (SEE FIG 2)
AVAIL ON .090[2.29] - .310[7.87] TAILS ONLY
(N/A IN SINGLE ROW, 1 & 2 POS)

TAIL LENGTH
(.055[1.40] MIN)

SPACE OPTION
(.200[5.08] MIN)
MAX = "L" - .055[1.40]

ROW OPTION
-S: SINGLE (USE BODY HTSW-50-S-LCP)
-D: DOUBLE (USE BODY HTSW-50-D-LCP)
-T: TRIPLE (USE BODY HTSW-50-T-LCP)
-Q: DOUBLE ROW, .200 ROW SPACE
(USE BODY HTSW-50-T-LCP)

TABLE 1			
LEAD STYLE	TERMINAL	"L" - OVERALL LENGTH REF	SPACE OPTION MAX
-07	T-1S6-07-X2	.430 [10.92]	.375 [9.53]
-08	T-1S6-08-X2	.530 [13.46]	.475 [12.07]
-09	T-1S6-09-X2	.730 [18.54]	.675 [17.15]
-10	T-1S6-10-X2	.830 [21.08]	.775 [19.69]
-11	T-1S6-11-X2	.930 [23.62]	.875 [22.23]
-12	T-1S6-12-X2	1.030 [26.16]	.975 [24.77]
-13	T-1S6-13-X2	1.230 [31.24]	1.175 [29.85]
-14	T-1S6-14-X2	1.430 [36.32]	1.375 [34.93]
-15	T-1S6-15-X2	.630 [16.00]	.575 [14.61]
-16	T-1S6-16-X2	.445 [11.30]	.390 [9.91]
-17	T-1S6-17-X2	.480 [12.19]	.425 [10.80]
-19	T-1S6-19-X2	1.330 [33.78]	1.275 [32.39]
-20	T-1S6-20-X2	1.130 [28.70]	1.075 [27.31]

PLATING SPECIFICATION

- (SEE NOTE 2)
- G: 10µ" SELECTIVE GOLD IN CONTACT AREA, 3µ" SELECTIVE GOLD ON TAIL.
 - T: MATTE TIN ON CONTACT AND TAIL.
 - S: 30µ" SELECTIVE GOLD IN CONTACT AREA, MATTE TIN ON TAIL.
 - H: 30µ" SELECTIVE GOLD IN CONTACT AREA, 3µ" SELECTIVE GOLD ON TAIL.
 - L: 10µ" SELECTIVE GOLD IN CONTACT AREA, MATTE TIN ON TAIL.
 - F: 3µ" SELECTIVE GOLD IN CONTACT AREA, MATTE TIN ON TAIL.
 - TL: 150µ" - 300µ" TIN/LEAD ON CONTACT AND TAIL.
 - TM: MATTE TIN ON CONTACT AND TAIL.
 - SM: 30µ" SELECTIVE GOLD IN CONTACT AREA, MATTE TIN ON TAIL.
 - LM: 10µ" SELECTIVE GOLD IN CONTACT AREA, MATTE TIN ON TAIL.
 - FM: 3µ" SELECTIVE GOLD IN CONTACT AREA, MATTE TIN ON TAIL.

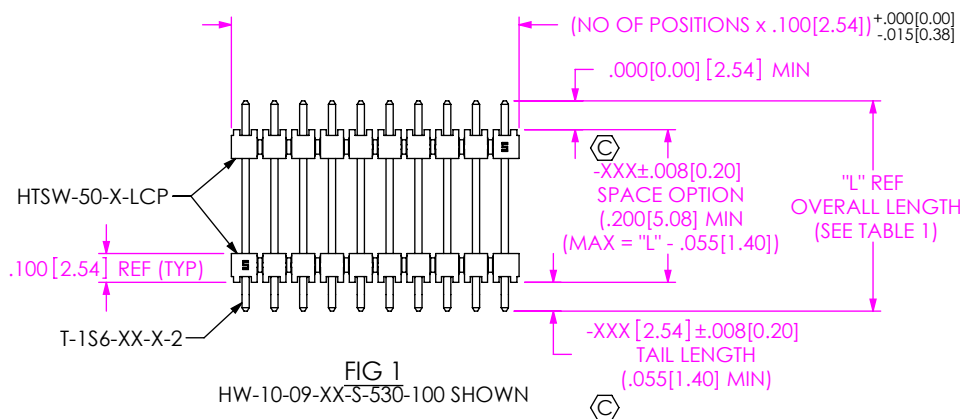
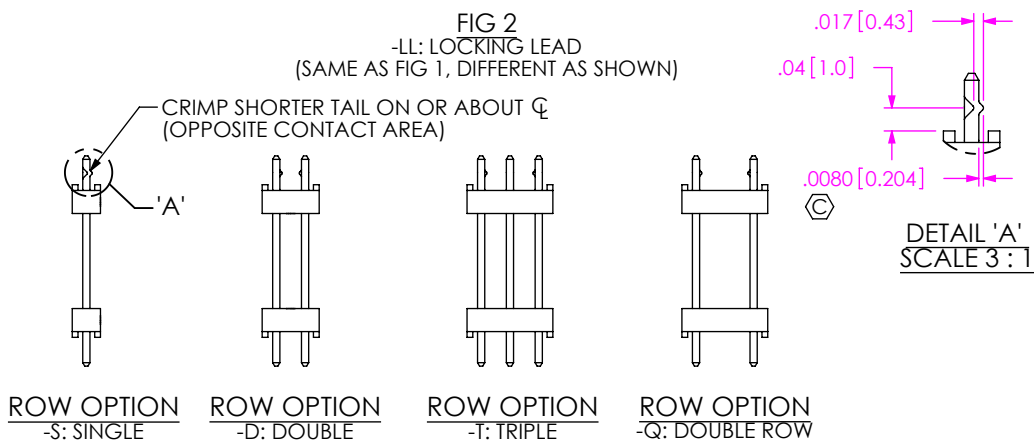
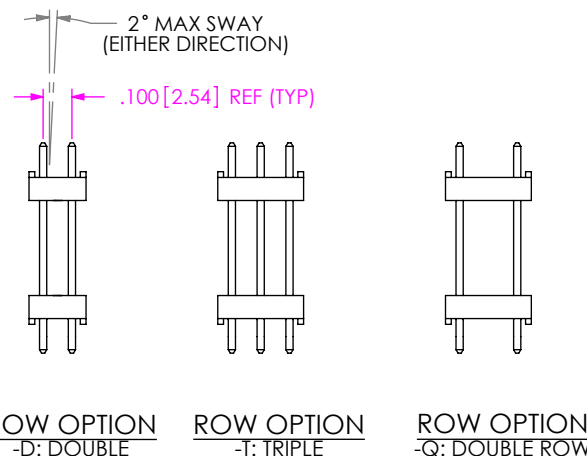


FIG 1
HW-10-09-XX-S-530-100 SHOWN



UNLESS OTHERWISE SPECIFIED, DIMENSIONS ARE IN INCHES.
TOLERANCES ARE:
DECIMALS ANGLES
.XX: ±.01 [0.3]
.XXX: ±.005 [0.13]
.XXXX: ±.0020 [0.051]

PROPRIETARY NOTE
THIS DOCUMENT CONTAINS INFORMATION CONFIDENTIAL AND PROPRIETARY TO SAMTEC, INC. AND SHALL NOT BE REPRODUCED OR TRANSFERRED TO OTHER DOCUMENTS OR DISCLOSED TO OTHERS OR USED FOR ANY PURPOSE OTHER THAN THAT WHICH IT WAS OBTAINED WITHOUT THE EXPRESSED WRITTEN CONSENT OF SAMTEC, INC.

samtec
520 PARK EAST BLVD, NEW ALBANY, IN 47150
PHONE: 812-944-6733 FAX: 812-948-5047
e-Mail info@SAMTEC.com code 55322

DESCRIPTION: .100[2.54] HIGH TEMP TERMINAL BODY (BOARD STACKING)
DWG. NO. HW-XX-XX-XX-X-XXX-XXX-XX-XXX
BY: REIDINGER 08/27/1991 SHEET 1 OF 1