



Axicom | Axicom Cradle Relay S

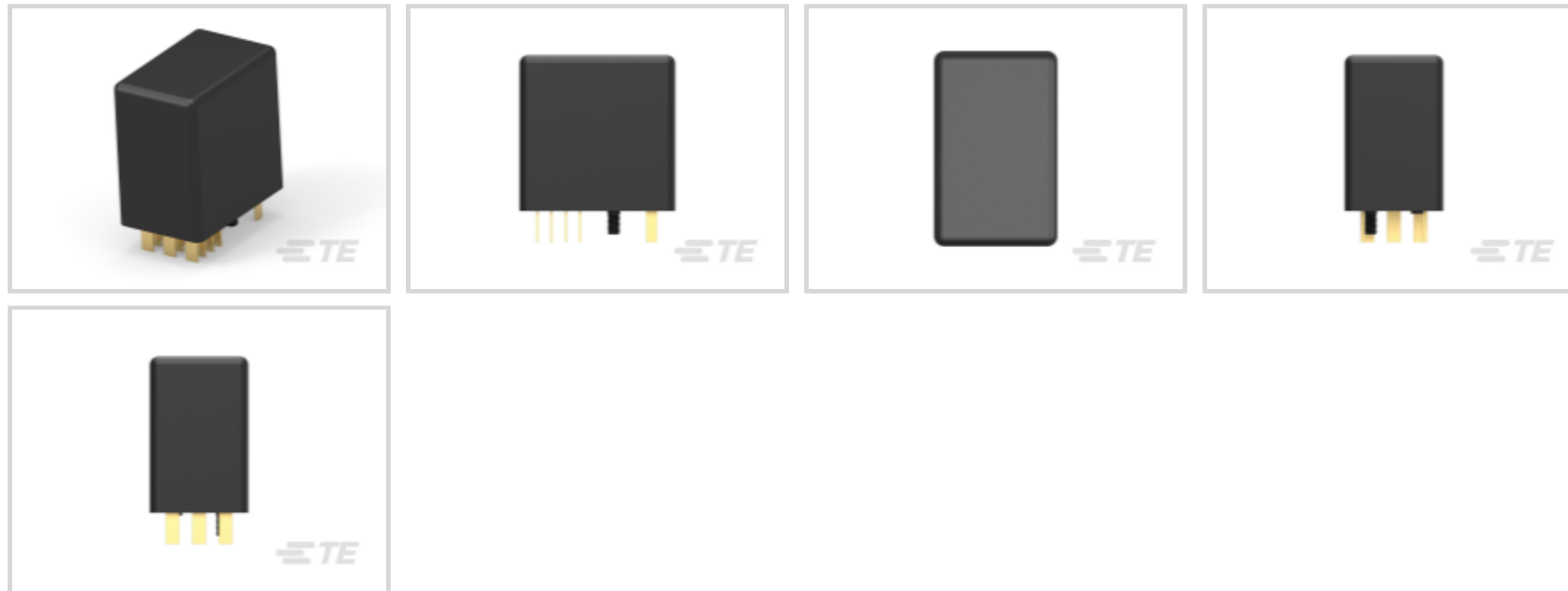
TE Internal #: 5-1393812-2

TE Internal Description: V23054D 20B112

Cradle S Signal Relay V23054

[View on TE.com >](#)

Relays & Contactors > Relays > Signal Relays > Cradle S Signal Relay V23054



Contact Voltage Rating: **125 VAC**

Coil Power Rating DC: **1000 mW**

Product Mount Type: **Socket**

Coil Voltage Rating: **24 VDC**

[All Cradle S Signal Relay V23054 \(1\)](#)

Features

Product Type Features

Relay Connection Type	Plug-In
-----------------------	---------

Electrical Characteristics

Actuating System	DC
Insulation Initial Dielectric Between Open Contacts	500 Vrms
Contact Limiting Making Current	2 A
Contact Limiting Short-Time Current	2 A
Contact Limiting Continuous Current	2 A
Insulation Initial Dielectric Between Contacts and Coil	500 Vrms
Coil Power Rating Class	800 – 1000 mW
Insulation Initial Dielectric Between Adjacent Contacts	500 Vrms
Insulation Initial Resistance	1000000 MΩ
Power Consumption	1000 – 2000 mW
Input Voltage	125 VAC
Contact Limiting Breaking Current	2 A

Coil Resistance	630 Ω
Contact Voltage Rating	125 VAC
Coil Power Rating DC	1000 mW
Coil Voltage Rating	24 VDC
Contact Switching Voltage (Max)	125 VAC
Coil Magnetic System	Monostable, DC

Body Features

Product Weight	25 g[.881 oz]
----------------	---------------

Contact Features

Contact Plating Material	Gold Flash
Contact Current Class	0 – 2 A
Contact Current Rating (Max)	.2 A
Contact Arrangement	2 Form C (CO)
Contact Base Material	Gold F
Contact Number of Poles	6

Mechanical Attachment

Product Mounting Feature Type	Mounting Studs
Product Mount Type	Socket

Dimensions

Length Class (Mechanical)	25 – 30 mm
Height Class (Mechanical)	25 – 30 mm
Width Class (Mechanical)	16 – 20 mm
Product Width	19 mm[.748 in]
Product Length	30 mm[1.18 in]
Product Height	30 mm[1.18 in]

Usage Conditions

Environmental Ambient Temperature Class	50 – 70 °C
Environmental Ambient Temperature (Max)	70 °C[158 °F]
Operating Temperature Range	-40 – 70 °C

Operation/Application

Performance Type	Standard
------------------	----------

Packaging Features

Packaging Method

Box & Carton

Product Compliance

For compliance documentation, visit the [product page on TE.com](#)>

EU RoHS Directive 2011/65/EU

Compliant

EU ELV Directive 2000/53/EC

Compliant

China RoHS 2 Directive MIIT Order No 32, 2016

No Restricted Materials Above Threshold

EU REACH Regulation (EC) No. 1907/2006

Current ECHA Candidate List: JAN 2024 (240)
 Candidate List Declared Against: JAN 2022 (223)
 Does not contain REACH SVHC

Halogen Content

Low Halogen - Br, Cl, F, I < 900 ppm per homogenous material. Also BFR/CFR/PVC Free

Solder Process Capability

Wave solder capable to 265°C

Product Compliance Disclaimer

This information is provided based on reasonable inquiry of our suppliers and represents our current actual knowledge based on the information they provided. This information is subject to change. The part numbers that TE has identified as EU RoHS compliant have a maximum concentration of 0.1% by weight in homogenous materials for lead, hexavalent chromium, mercury, PBB, PBDE, DBP, BBP, DEHP, DIBP, and 0.01% for cadmium, or qualify for an exemption to these limits as defined in the Annexes of Directive 2011/65/EU (RoHS2). Finished electrical and electronic equipment products will be CE marked as required by Directive 2011/65/EU. Components may not be CE marked. Additionally, the part numbers that TE has identified as EU ELV compliant have a maximum concentration of 0.1% by weight in homogenous materials for lead, hexavalent chromium, and mercury, and 0.01% for cadmium, or qualify for an exemption to these limits as defined in the Annexes of Directive 2000/53/EC (ELV). Regarding the REACH Regulation, the information TE provides on SVHC in articles for this part number is based on the latest European Chemicals Agency (ECHA) 'Guidance on requirements for substances in articles' posted at this URL: <https://echa.europa.eu/guidance-documents/guidance-on-reach>

Compatible Parts



Also in the Series | [Axicom Cradle Relay S](#)



Signal Relays(1)

Customers Also Bought



TE Part #TAB62246501-040
M12B2-MR-PUR TORSION-4.0M



TE Part #2-2364570-8
AVH19 FLT SS LK RNG R&B 24V16A



TE Part #1-2364686-5
AVH22 FLT SS MT RNG GRN 24V16A



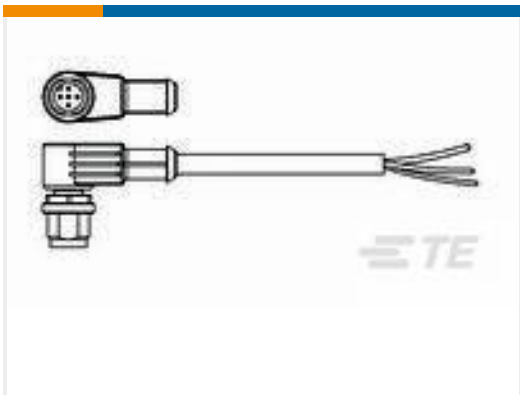
TE Part #T1349160120-000
H16A-TGH-M20



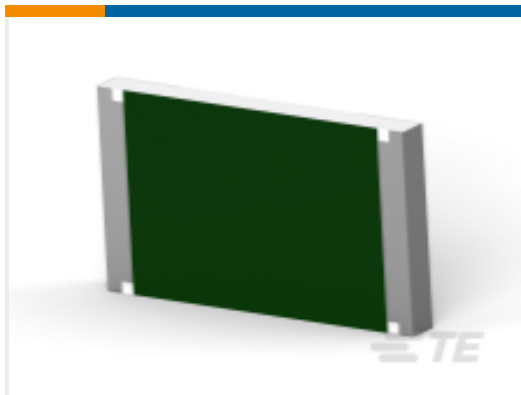
TE Part #EC0366-000
Z-Type Push-On Markers



TE Part #80645-000
LS809-51 Liquid Level Sensor



TE Part #2273076-3
M12 x 1.0 angled plug pigt A



TE Part #5-2176408-3
3560 5M6 5%



TE Part #AKA012N00410100000
623 EXTENSION, SPEEDTEC

Documents

[CAD Files](#)

[3D PDF](#)

[3D](#)

[Customer View Model](#)

[ENG_CVM_CVM_5-1393812-2_A.2d_dxf.zip](#)

[English](#)

[Customer View Model](#)

[ENG_CVM_CVM_5-1393812-2_A.3d_igs.zip](#)



English

Customer View Model

[ENG_CVM_CVM_5-1393812-2_A.3d_stp.zip](#)

English

By downloading the CAD file I accept and agree to the [Terms and Conditions](#) of use.

Product Specifications

[Product Specification](#)

English

[Definitions General Purpose Relays](#)

English