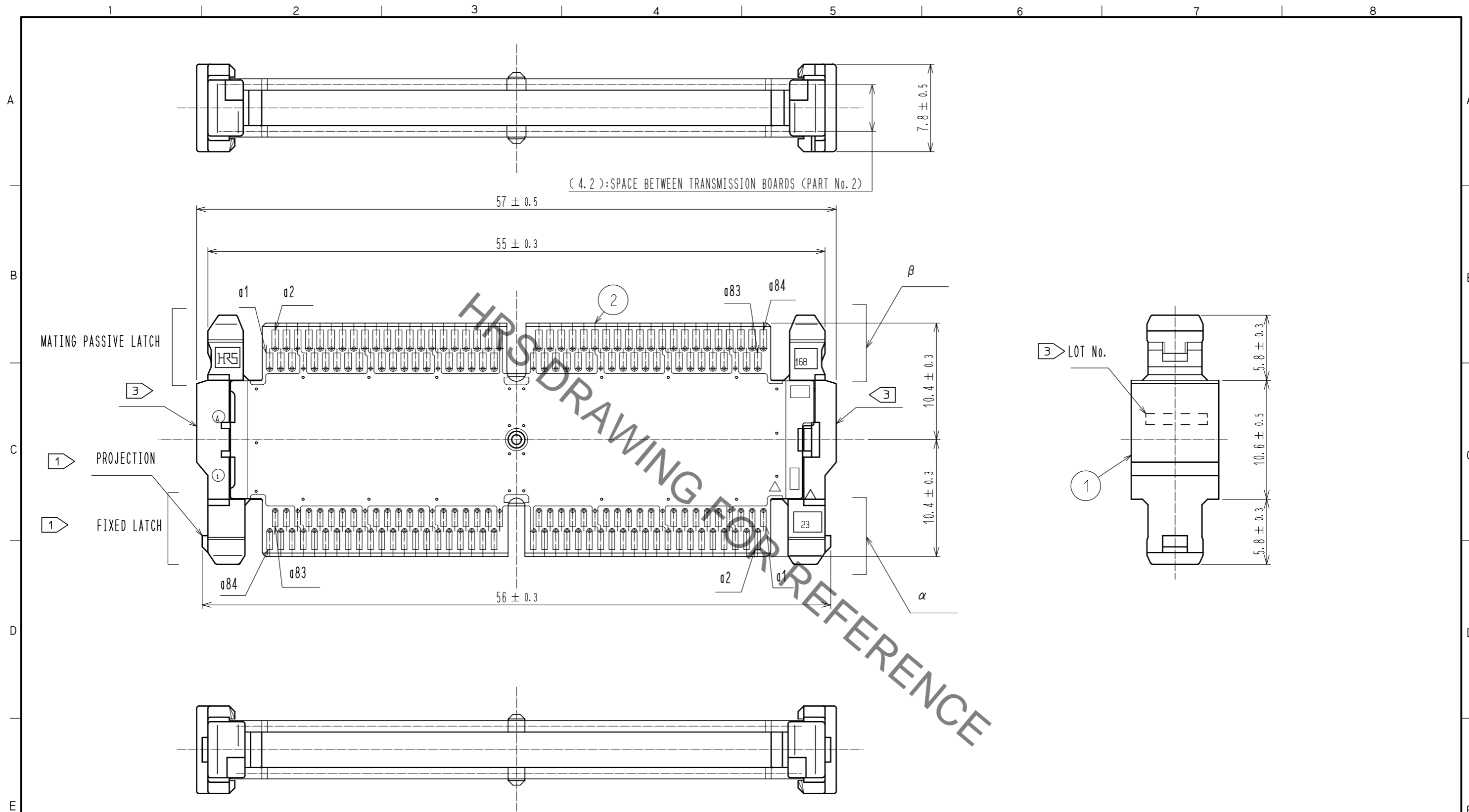


Jun.1.2019 Copyright 2019 HIROSE ELECTRIC CO., LTD. All Rights Reserved.  
In case of consideration for using Automotive equipment / device which demand high reliability, kindly contact our sales window correspondents.

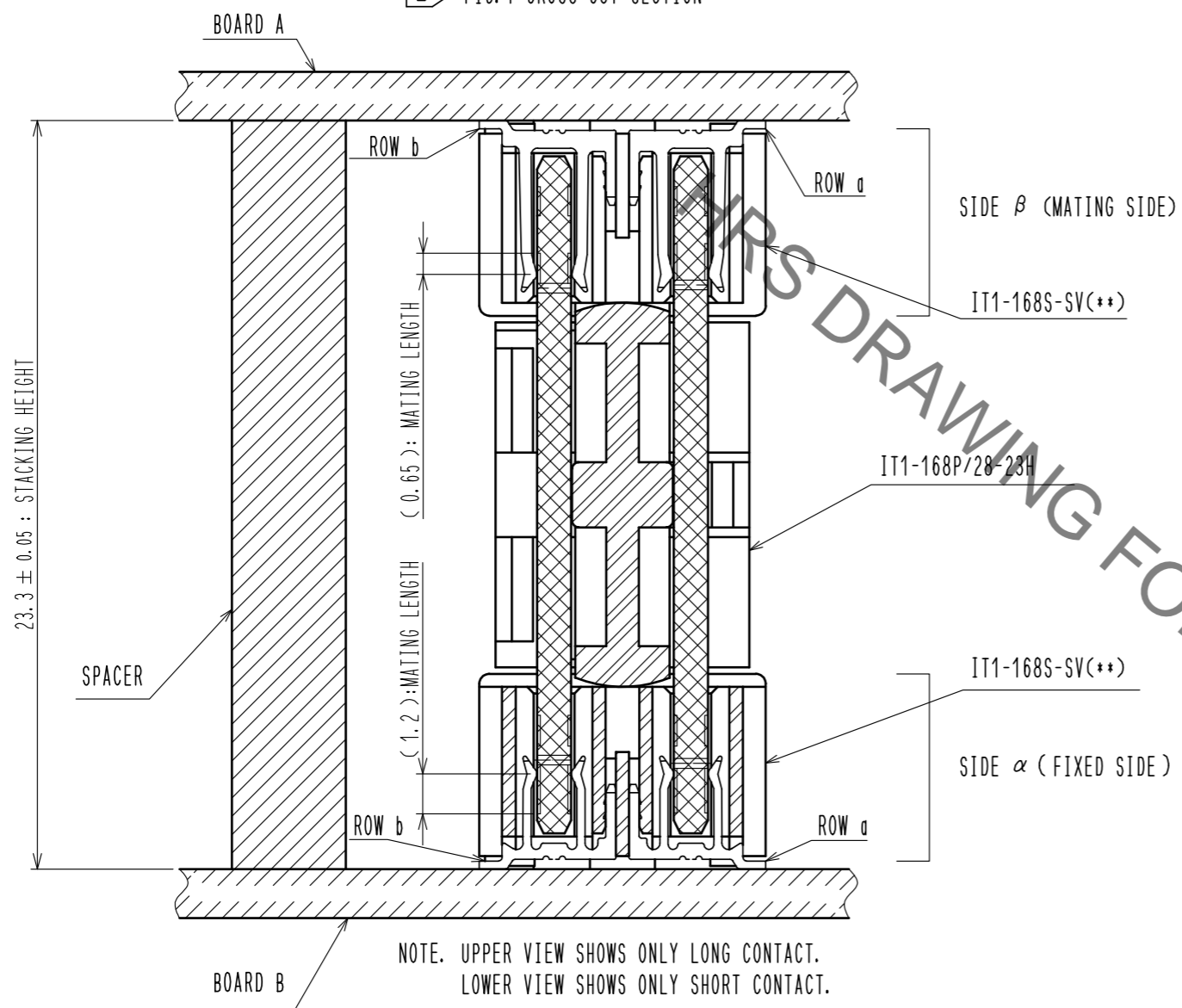


- NOTE.
- 1 ONCE FIXING PART IS MATED WITH THE RECEPTACLE: IT1-168S-SV(\*\*), IT IS NOT DETACHABLE, BECAUSE THE RECEPTACLE CATCHES ON THE PROJECTION.
  - 2 THE INDICATED BOARD A AND B SHALL BE FASTENED TO THE ADDITIONAL REINFORCEMENTS TO PREVENT THE STRESS ON IT1-168S-SV(\*\*) SOLDER JOINTS.
  - 3 LOT No. SHALL BE MARKED ON ONE OF THE TWO INDICATED POSITIONS.
  - 4 PIN ASSIGNMENT IS SHOWN IN THE SHEET 2.
5. THE DIMENSION IN ( ) : PARENTHESES INDICATES THE NOMINAL VALUE , AND THOSE DIMENSIONS ARE FOR REFERENCE ONLY.  
6. DESIGN GUIDELINE AND OTHER REQUIREMENTS ARE SHOWN IN 「INSTALLATION AND USE INSTRUCTION MANUAL (ETAD-F0265)」.

1	PBT	BLACK UL94V-0	2	GLASS-BASE EPOXY (FR4)	CONTACT AREA: Ni3 $\mu$ m + Au0.05 $\mu$ m THE OTHER AREA: SOLDER RESIST		
NO.	MATERIAL	FINISH . REMARKS	NO.	MATERIAL	FINISH . REMARKS		
UNITS mm		SCALE 3 : 1	COUNT 	DESCRIPTION OF REVISIONS	DESIGNED	CHECKED	DATE
<b>HRS</b> HIROSE ELECTRIC CO., LTD.		APPROVED : TM. MATSUO	18.06.11	DRAWING NO.	EDC-156243-00-00		
		CHECKED : MK. EZAKI	18.06.07	PART NO.	IT1-168P/28-23H		
		DESIGNED : AS. MATSUZAWA	18.06.07	CODE NO.	CL641-0263-4-00		
		DRAWN : AS. MATSUZAWA	18.06.07		1/2		

Jun.1.2019 Copyright 2019 HIROSE ELECTRIC CO., LTD. All Rights Reserved.  
 In case of consideration for using Automotive equipment / device which demand high reliability, kindly contact our sales window correspondents.

2 FIG.1 CROSS-CUT SECTION



4 TABLE.1  $\alpha$ - $\beta$  PIN ASSIGNMENT (FOR ROW a AND ROW b)

ROW a		ROW b	
	$\alpha - \beta$		$\alpha - \beta$
SIGNAL	a 1 -a 84	SIGNAL	a 44 -a 41
	a 2 -a 83		
	a 3 -a 82		
	a 4 -a 81		
	a 5 -a 80		a 53 -a 32
GROUND	a 6 -a 79	GROUND	a 54 -a 31
	a 7 -a 78		a 55 -a 30
SIGNAL	a 8 -a 77	SIGNAL	a 56 -a 29
GROUND	a 17 -a 68	GROUND	a 65 -a 20
	a 18 -a 67		a 66 -a 19
SIGNAL	a 19 -a 66	SIGNAL	a 67 -a 18
	a 20 -a 65		a 68 -a 17
GROUND	a 29 -a 56	GROUND	a 77 -a 8
	a 30 -a 55		a 78 -a 7
SIGNAL	a 31 -a 54	SIGNAL	a 79 -a 6
	a 32 -a 53		a 80 -a 5
GROUND	a 41 -a 44	GROUND	a 81 -a 4
	a 42 -a 43		a 82 -a 3
SIGNAL	a 43 -a 42	SIGNAL	a 83 -a 2
			a 84 -a 1
GROUND		GROUND	b 1 -b 84
			b 2 -b 83
SIGNAL		SIGNAL	b 3 -b 82
			b 4 -b 81
GROUND		GROUND	b 5 -b 80
			b 6 -b 79
SIGNAL		SIGNAL	b 7 -b 78
			b 8 -b 77
GROUND		GROUND	b 17 -b 68
			b 18 -b 67
SIGNAL		SIGNAL	b 19 -b 66
			b 20 -b 65
GROUND		GROUND	b 29 -b 56
			b 30 -b 55
SIGNAL		SIGNAL	b 31 -b 54
			b 32 -b 53
GROUND		GROUND	b 33 -b 52
			b 34 -b 51
SIGNAL		SIGNAL	b 41 -b 44
			b 42 -b 43
GROUND		GROUND	b 43 -b 42

NOTE. UPPER VIEW SHOWS ONLY LONG CONTACT.  
 LOWER VIEW SHOWS ONLY SHORT CONTACT.

<b>HRS</b>	DRAWING NO.	EDC-156243-00-00
	PART NO.	IT1-168P/28-23H
	CODE NO.	CL641-0263-4-00