

Surface Mount Technology (SMT) board connectors

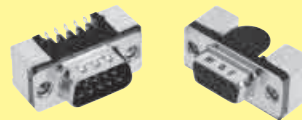
Page

D-Sub – SMT

Technical characteristics

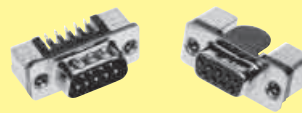
21.02

Standard versions



21.04

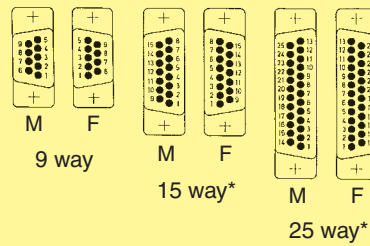
Low-profile versions



21.06

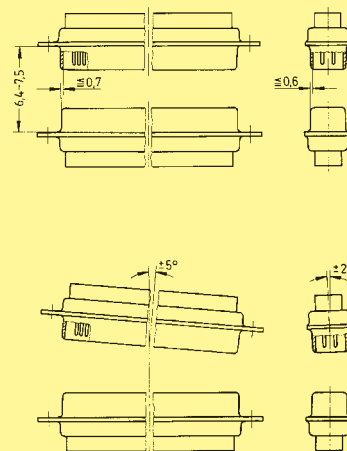
Number of contacts	9, 15*, 25*
Working current	5 A
Test voltage $U_{r.m.s.}$	1 kV
Clearance and creepage	≥ 1.0 mm
Contact resistance	< 25 m Ω
Insulation resistance	< 5 G Ω
Temperature range	as per profile JEDEC 020 D
Terminations	Solder pins for P.C.B. pads
Materials	
Mouldings	LCP black UL 94-V0
Contacts	Phosphorus bronze
Grounding die	Zamac
Shell	Steel
Contact surface	
Contact zone	selectively gold-plated according to performance level ¹⁾
Grounding die	Pure tin
Shell	Nickel plated
Insertion and withdrawal force	
– insertion max. per connector:	30 N
– withdrawal min. per connector:	3.3 N

Contact arrangement View from termination side



M = Male connector
F = Female connector

Mating conditions as per DIN 41 652

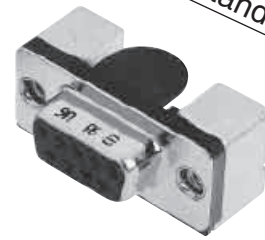
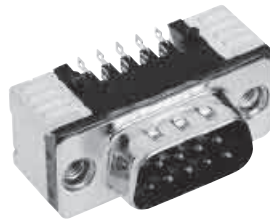


SMT technology

¹⁾ Performance level 3, 50 mating cycles, no gas test
Performance level 2 as per CECC 75 301-802, 250 mating cycles, 4 days 4 mixed gas test – IEC 60512
Performance level 1 as per CECC 75 301-802, 500 mating cycles, 10 days 4 mixed gas test – IEC 60512
* Available on request

Number of contacts

9*



Standard Versions

SMT stamped solder pins, angled with grounding board locks

Identification	No. of contacts	Part No.					
Performance levels Explanations see page 21.02 Other performance levels on request		Performance level 3		Performance level 2		Performance level 1	
Male connector metal shell with dimples	9	09 55 166 78 ... 741		09 55 166 68 ... 741		09 55 166 38 ... 741	
Female connector metal shell	9	09 55 156 76 ... 741		09 55 156 66 ... 741		09 55 156 36 ... 741	
Please insert digit for flange thread or fitted female screw locks							
M3 ▶ 11 4-40 UNC ▶ 12 fitted screw locks M3 ▶ 33 fitted screw locks 4-40 UNC ▶ 13							

SMT technology

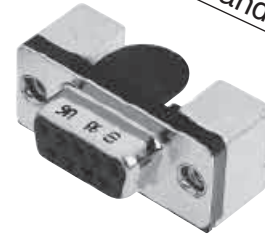
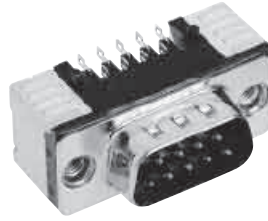
* 15 and 25 way connectors are available on request
 Connector dimensions see page 21.05. Mating conditions see page 21.02.

D-Sub



Number of contacts

9*



Standard Versions

SMT stamped solder pins, angled with grounding board locks

Identification

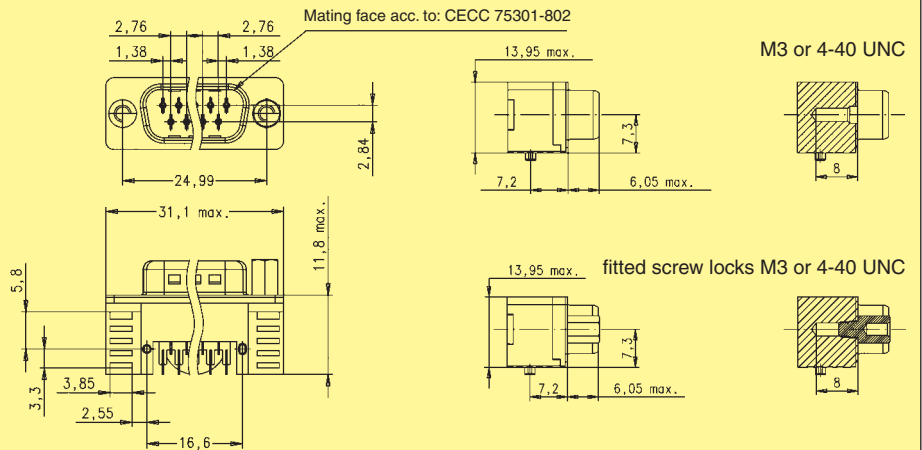
Drawing

Dimensions in mm

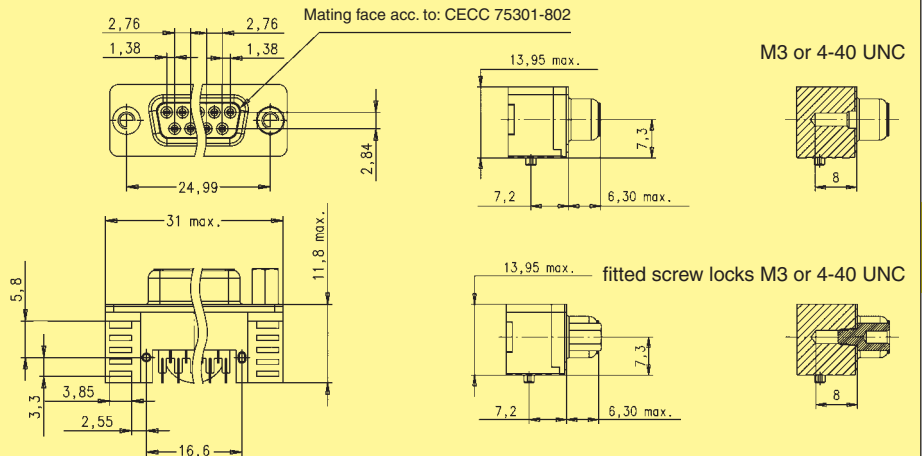
Male connector

M3 or 4-40 UNC

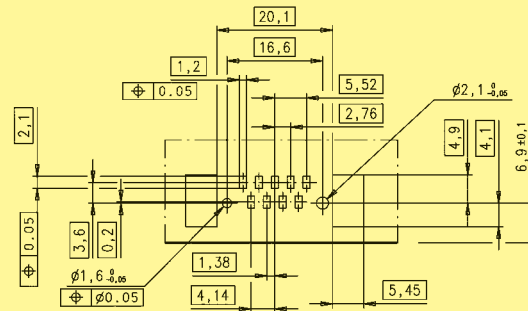
fitted screw locks M3 or 4-40 UNC



Female connector

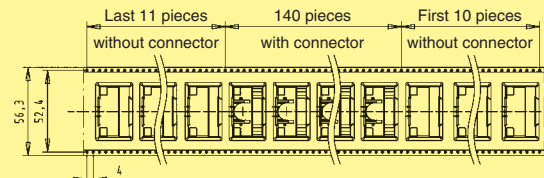


pcb layout



Packaging

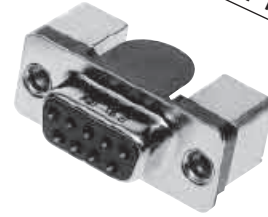
(1 reel = 140 pieces)
Reel diameter = 330 mm



SMT technology

Number of contacts

9*



Low-Profile Versions

SMT stamped solder pins, angled with grounding board locks

Identification	No. of contacts	Part No.					
Performance levels Explanations see page 21.02 Other performance levels on request		Performance level 3		Performance level 2		Performance level 1	
Male connector metal shell with dimples	9	09 55 166 78 ... 741		09 55 166 68 ... 741		09 55 166 38 ... 741	
Female connector metal shell	9	09 55 156 76 ... 741		09 55 156 66 ... 741		09 55 156 36 ... 741	
Please insert digit for flange thread or fitted female screw locks							
M3 ▶ 15 4-40 UNC ▶ 16 fitted screw locks M3 ▶ 18 fitted screw locks 4-40 UNC ▶ 17							

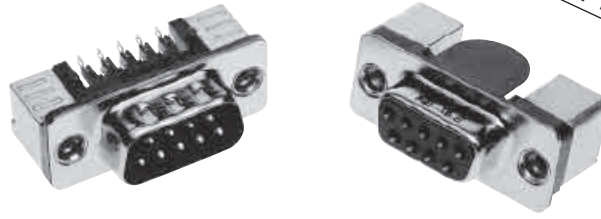
SMT technology

* 15 and 25 way connectors are available on request
 Connector dimensions see page 21.07. Mating conditions see page 21.02.

Number of contacts

9*

Low-Profile Versions



SMT stamped solder pins, angled with grounding board locks

Identification

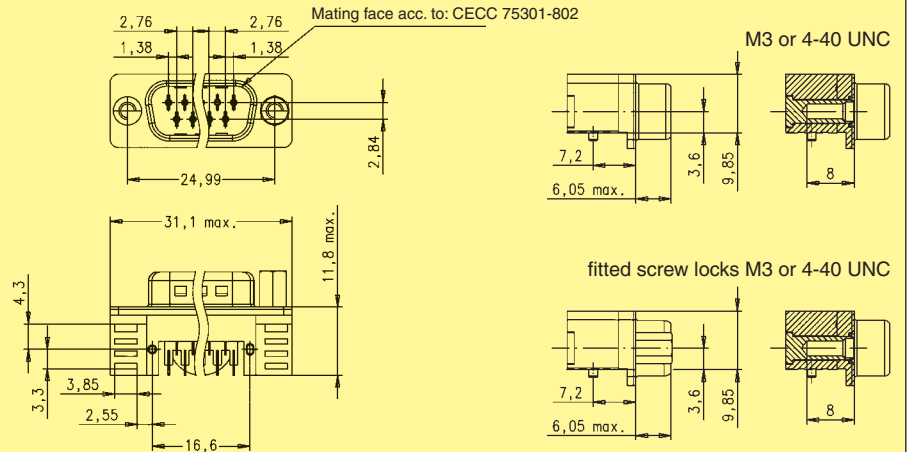
Drawing

Dimensions in mm

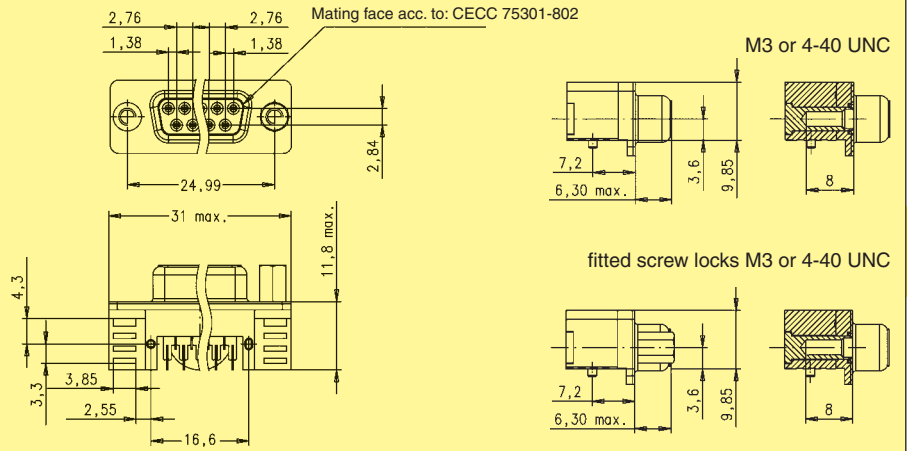
Male connector

M3 or 4-40 UNC

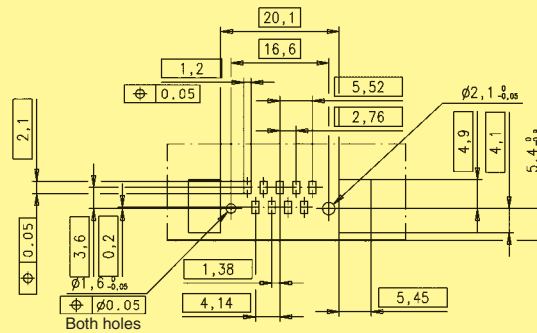
fitted screw locks M3 or 4-40 UNC



Female connector

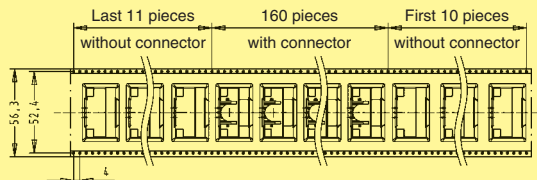


pcb layout



Packaging

(1 reel = 160 pieces)
Reel diameter = 330 mm



SMT technology

