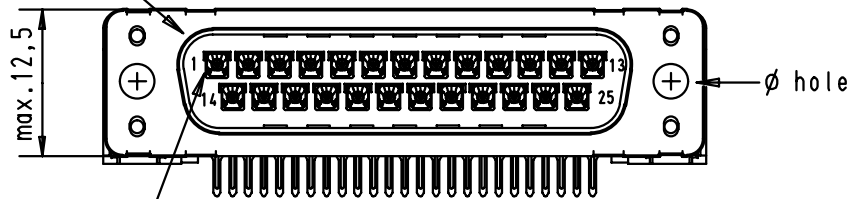
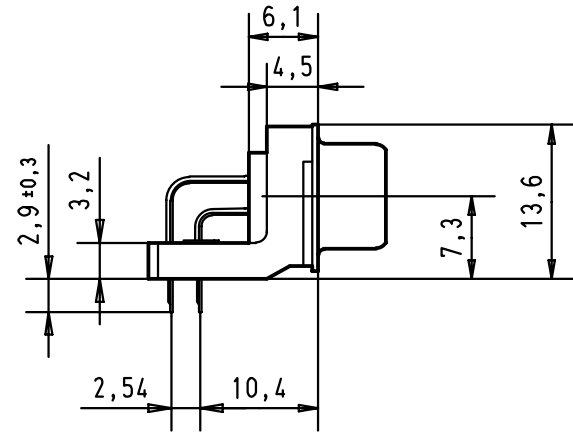


5 4 3 2 1

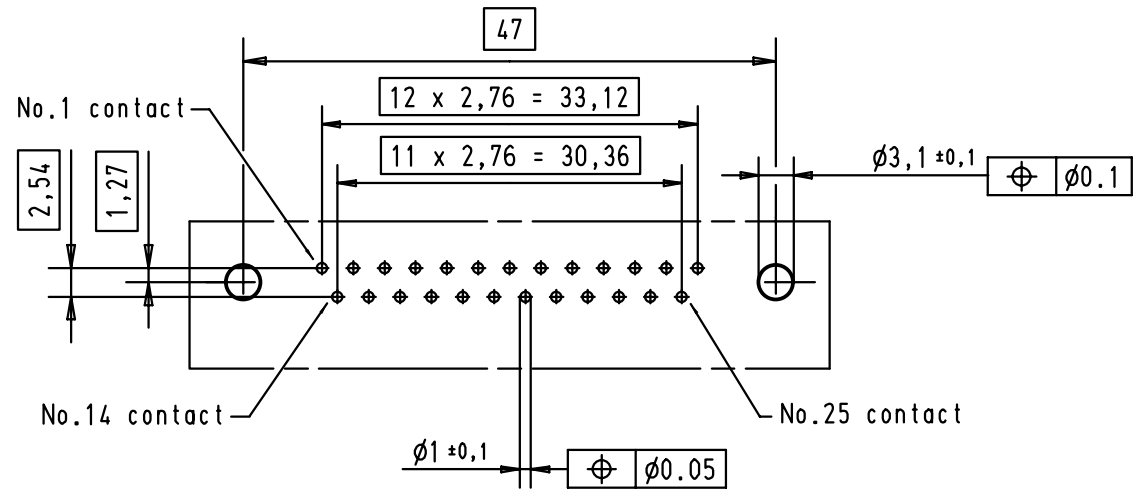
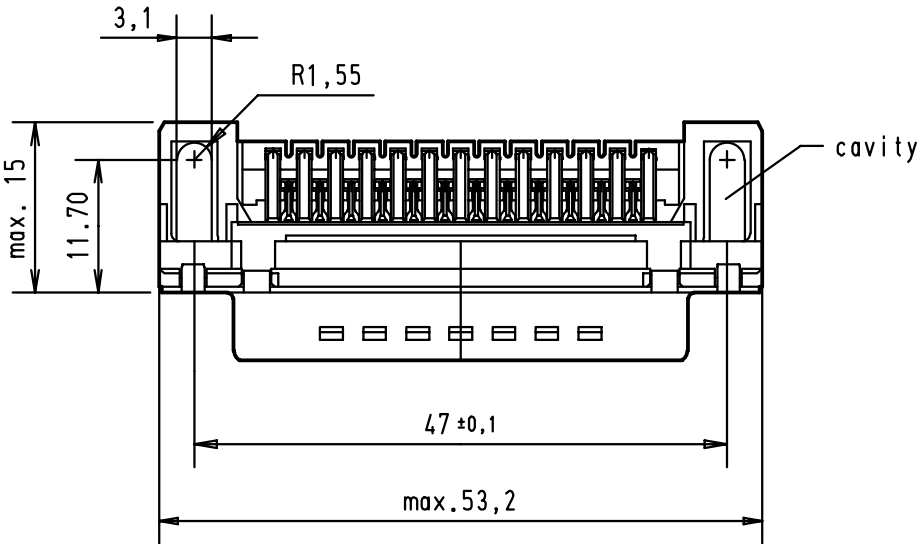
Mating face according to : MIL-C-24308 / DIN 41652 / CECC 75301-802



No.1 contact



Printed board layout component side

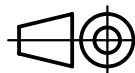



D

C

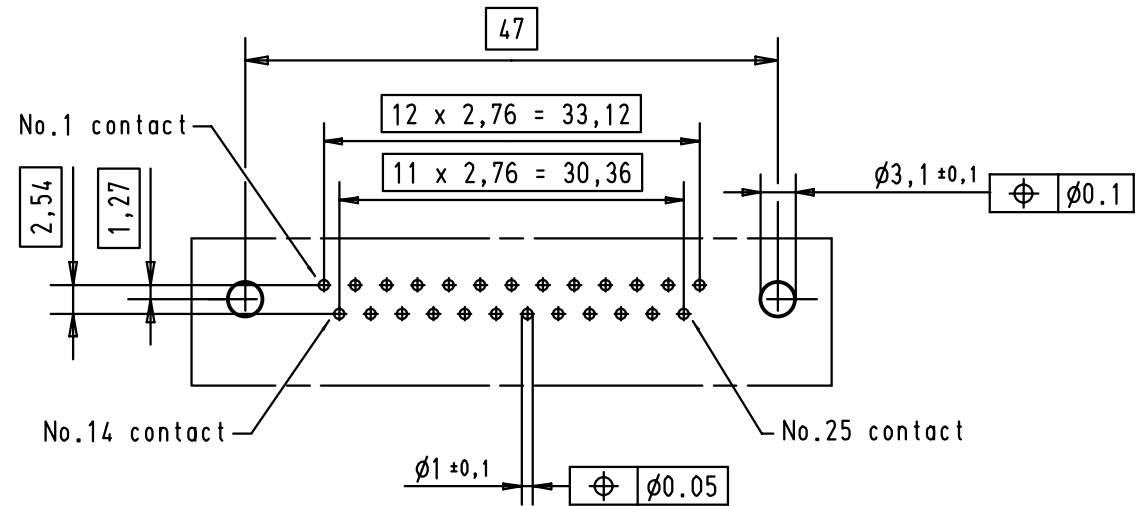
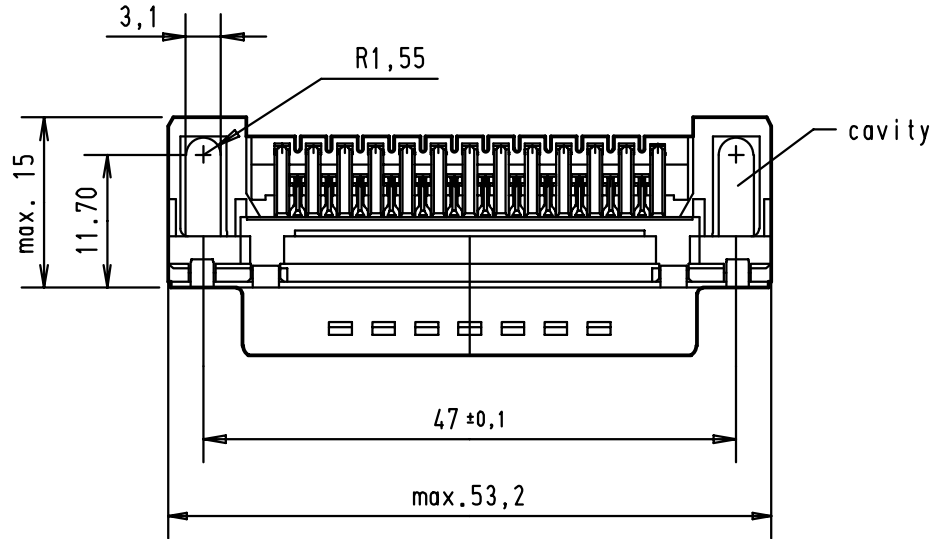
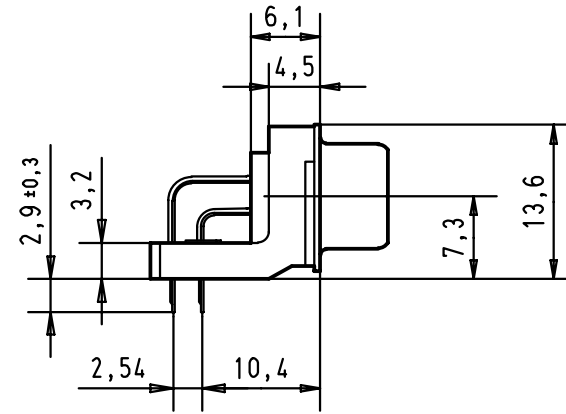
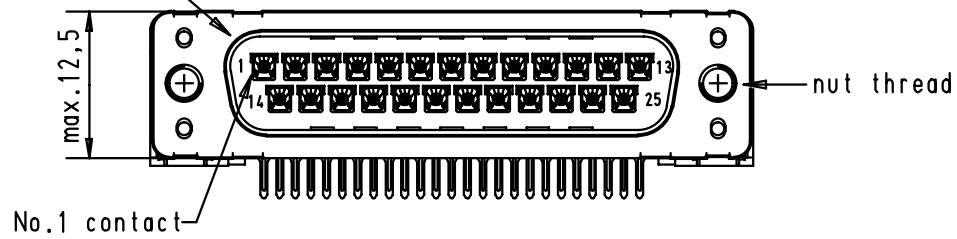
B

A

							Dat.	Name	 All Dim. in mm Orig. Size DIN A 4	D-Sub, male, standard angle, 25 poles, with solder pin and hole	Maßstab/ Scale 1.5:1
						Detail.	12/dec/00	ALSPACE			
						Insp.					
09 65 322 6800	3.1 ± 0.1	2	29773	18-APR-02	CV	Stand.					
09 65 322 7800	3.1 ± 0.1	3	29689	02/07/01	AA						
09 65 322 5800	3.1 ± 0.1	0.76 µm Au	27960	12/dec/00	ALSPACE						
Part number	ø hole	Performance level	Mod.	Dat.	Name	HARTING EURL F-95972 Paris				TB 0965322x80x Sub.	Blatt/ Page 1 /

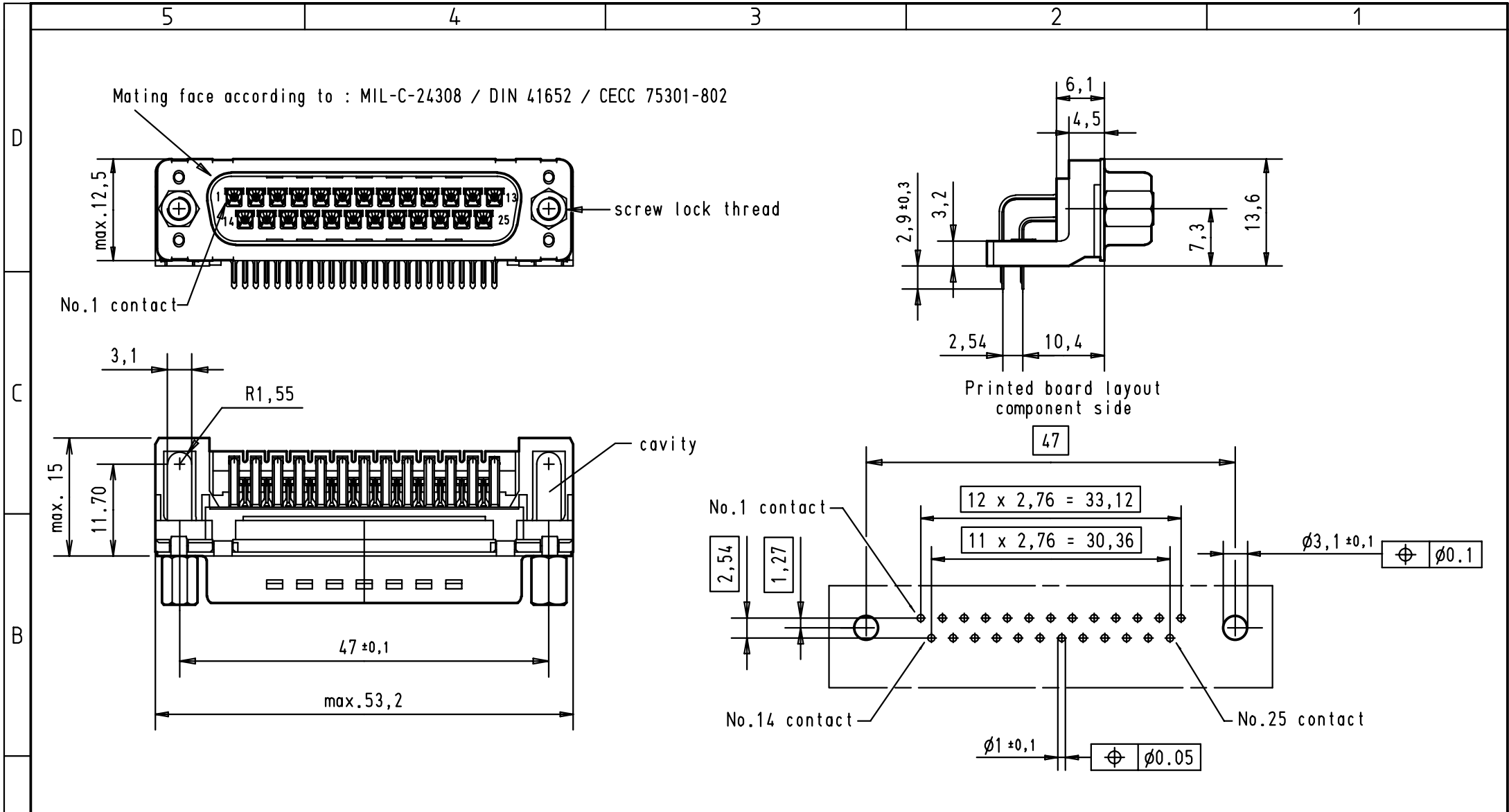
5 4 3 2 1

Mating face according to : MIL-C-24308 / DIN 41652 / CECC 75301-802



A

09 65 322 6801	M3	2							 All Dim. in mm Orig. Size DIN A 4	D-Sub, male, standard angle, 25 poles, with solder pin, nut and hole	Maßstab/ Scale 1.5:1
09 65 322 7801	M3	3				Detail.	13/dec/00	ALSPACE			
09 65 322 5801	M3	0.76 µm Au				Insp.			 HARTING	TB 0965322x80x	Blatt/ Page 2 /
09 65 322 6802	4-40 UNC	2	29773	18-APR-02	CV	Stand.					
09 65 322 7802	4-40 UNC	3	29689	02/07/01	AA	HARTING EURL F-95972 Paris					
09 65 322 5802	4-40 UNC	0.76 µm Au	27960	13/dec/00	ALSPACE	Sub.					
Part number	Nut thread	Performance level	Mod.	Dat.	Name						



A						Detail.	Dat.	Name	<p>All Dim. in mm Orig. Size DIN A 4</p>	<p>D-Sub, male, standard angle, 25 poles, with solder pin, screw lock and hole</p>	<p>Maßstab/ Scale 1.5:1</p>		
						Insp.							
						Stand.							
		09 65 322 6803	4-40 UNC	2	29773	18-APR-02	CV						
		09 65 322 7803	4-40 UNC	3	29689	03/07/01	AA						
	09 65 322 5803	4-40 UNC	0.76 µm Au	27960	12/dec/00	ALSPACE							
	Part number	Screw lock thread	Performance level	Mod.	Dat.	Name	HARTING EURL F-95972 Paris					TB 0965322x80x Sub.	Blatt/ Page 3

09 65 322 5801**Printed board connector**

Other applications

gender	male connector, right angled
Termination	Stamped solder pins
shell	tinned metal shell with dimples
Number of contacts	25 way
Row pitch	Row separation 2.54 mm
Board fixing	without grounding board lock
flange	M 3
Performance level	Performance level S4
Material	PBTP

Note: Obligatory information about HARTING products can be obtained exclusively from the data sheets.



The data sheet is up to date

2D files

Typenblatt

Typenblatt

09 65 322 5800

Printed board connector

Other applications

gender	male connector, right angled
Termination	Stamped solder pins
shell	tinned metal shell with dimples
Number of contacts	25 way
Row pitch	Row separation 2.54 mm
Board fixing	without grounding board lock
flange	hole 3.1 mm
Performance level	Performance level S4
Material	PBTP

Note: Obligatory information about HARTING products can be obtained exclusively from the data sheets.



The data sheet is up to date

2D files

Typenblatt

Typenblatt

09 65 322 5802**Printed board connector**

Other applications

gender	male connector, right angled
Termination	Stamped solder pins
shell	tinned metal shell with dimples
Number of contacts	25 way
Row pitch	Row separation 2.54 mm
Board fixing	without grounding board lock
flange	UNC4-40
Performance level	Performance level S4
Material	PBTP

Note: Obligatory information about HARTING products can be obtained exclusively from the data sheets.



The data sheet is up to date

2D files

Typenblatt

Typenblatt

09 65 322 5803

Printed board connector

Other applications

gender	male connector, right angled
Termination	Stamped solder pins
shell	tinned metal shell with dimples
Number of contacts	25 way
Row pitch	Row separation 2.54 mm
Board fixing	without grounding board lock
flange	with screw lock UNC 4-40
Performance level	Performance level S4
Material	PBTP

Note: Obligatory information about HARTING products can be obtained exclusively from the data sheets.



The data sheet is up to date

2D files

Typenblatt

Typenblatt