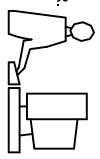


THIS IS A C.A.D. GENERATED DRAWING  
DO NOT MAKE MANUAL REVISIONS TO MASTER.



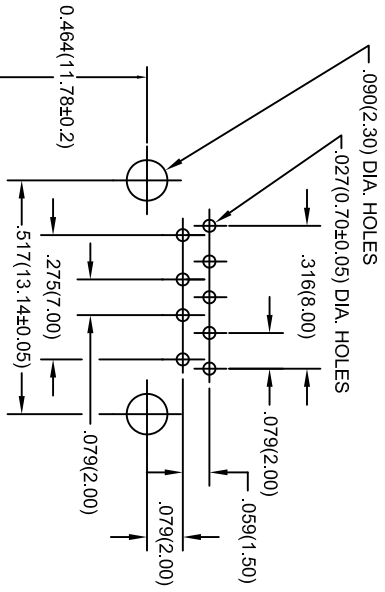
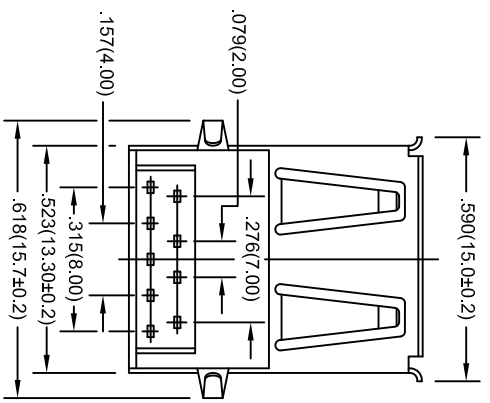
ISSUE NUMBER
REMOVE P/N: 690-009-221-013
R.STA:MONICA MAY.07/10 (7)
ADD P/N: 690-009-521T013 AND 690-009-621T013
R.STA:MONICA JUN.01/10 (8)
690-009-521-313 WAS
690-009-521T013 AND 690-009-621-313 WAS
690-009-621T013. ADD TAPE & REEL AND PCB TOLERANCE
R.STA:MONICA JUN.07/10 (9)

**SPECIFICATION:**

CONTACT CURRENT RATING: 1.8 A PER PIN MIN. AT25°C (STILL AIR)  
 INSULATION RESISTANCE: 100 MEGOHMS MIN. AT DC FOR 1 MINUTE  
 DWV: .100 VAC FOR 1 MINUTE  
 LOW LEVEL CONTACT RESISTANCE: 50 MILLIONHMS MAX.  
 INSERTION FORCE: 3.57 KG.(35N) MAX.  
 EXTRACTION FORCE: 1.02 KG.(10N) MIN. FOR INITIAL  
 OPERATING TEMPERATURE: -30°C TO +85°C

**MATERIALS:**

SHELL: BRASS, NICKEL PLATED  
 CONTACTS: PHOSPHOR BRONZE, PLATED WITH 15 MICRONS OF GOLD  
 ON CONTACT AREA, TIN ON TAIL OVER NICKEL.  
 INSULATORS: PBT, UL94V-0, BLUE COLOR (PANTONE 3000)



**PC BOARD MOUNTING DIMENSIONS**



THIS SERIES FULLY CONFORMS TO THE  
 EUROPEAN UNION DIRECTIVES 2002/95/EC  
 AND 2002/96/EC FOR ROHS COMPLIANCY.

PART NUMBERS	GOLD PLATING	PACKAGING DETAIL
690-009-521-013	15 u" OF GOLD	TAPE AND REEL
690-009-521-313	15 u" OF GOLD	PLASTIC TRAY
690-009-621-013	30 u" OF GOLD	TAPE AND REEL
690-009-621-313	30 u" OF GOLD	PLASTIC TRAY

**NOTE:**

TOLERANCE FOR ALL DIMENSIONS IN MM IS  $\pm 0.1$ ,  
 UNLESS OTHERWISE SPECIFIED

**USB-A RECEPTACLE 90° DIP, 3.0 VERSION**

ACAD REFERENCE NO. 690-009-521-013	
DRAWN: F.BRIONES	DATE: AUG.17/09
PART NUMBER	
<b>SEE ABOVE</b>	
DRAWING NUMBER	SHEET 1 OF 3
<b>690-009-521-013</b>	ISSUE
	9

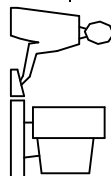


EDAC INC  
 TORONTO, ONTARIO  
 CANADA

THESE DRAWINGS AND SPECIFICATIONS  
 ARE THE PROPERTY OF EDAC INC. AND  
 SHALL NOT BE REPRODUCED OR COPIED  
 OR USED AS THE BASIS FOR THE  
 MANUFACTURE OR SALE OF APPARATUS  
 WITHOUT WRITTEN PERMISSION.

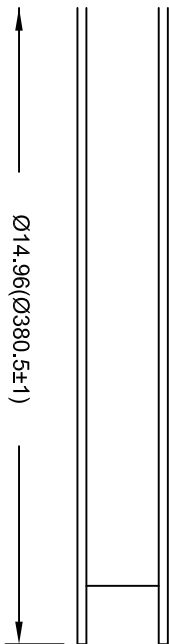
YOUR CONNECTION TO QUALITY & SERVICE

THIS IS A C.A.D. GENERATED DRAWING  
DO NOT MAKE MANUAL REVISIONS TO MASTER.



ISSUE NUMBER  
**(9)**

SEE PAGE 1 OF 3



1.275(32.4+0.2/0)

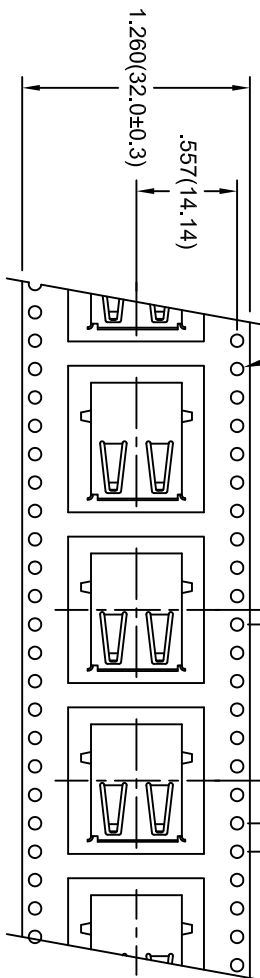
.059(1.50) DIA. HOLES

.079(2.00)

.945(24.00)

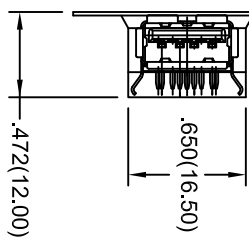
.157(4.00)

.020(0.50±0.05)



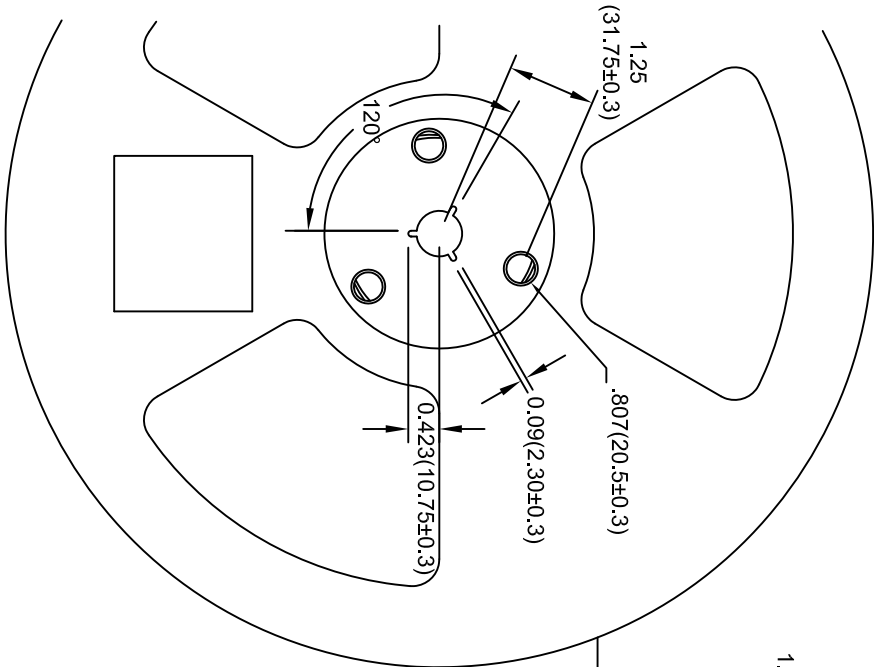
1.260(32.0±0.3)

.557(14.14)



.650(16.50)

.472(12.00)



1.25  
(31.75±0.3)

.807(20.5±0.3)

0.09(2.30±0.3)

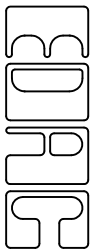
0.423(10.75±0.3)

120°

NOTE:  
TOLERANCE FOR ALL DIMENSIONS IN MM IS ±0.1, UNLESS OTHERWISE SPECIFIED

**USB-A RECEPTACLE 90° DIP, 3.0 VERSION  
PACKAGING REEL (350 PCS PER REEL)**

EDAC INC



TORONTO, ONTARIO  
CANADA

YOUR CONNECTION TO QUALITY & SERVICE

THESE DRAWINGS AND SPECIFICATIONS  
ARE THE PROPERTY OF EDAC INC. AND  
SHALL NOT BE REPRODUCED OR COPIED  
OR USED AS THE BASIS FOR THE  
MANUFACTURE OR SALE OF APPARATUS  
WITHOUT WRITTEN PERMISSION.

ACAD REFERENCE NO. 690-009-521-013

DRAWN: F. BRIONES DATE: AUG. 17/09

PART NUMBER

**SEE PAGE 1 OF 3**

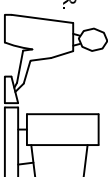
SHEET 2 OF 3

DRAWING NUMBER

**690-009-521-013**

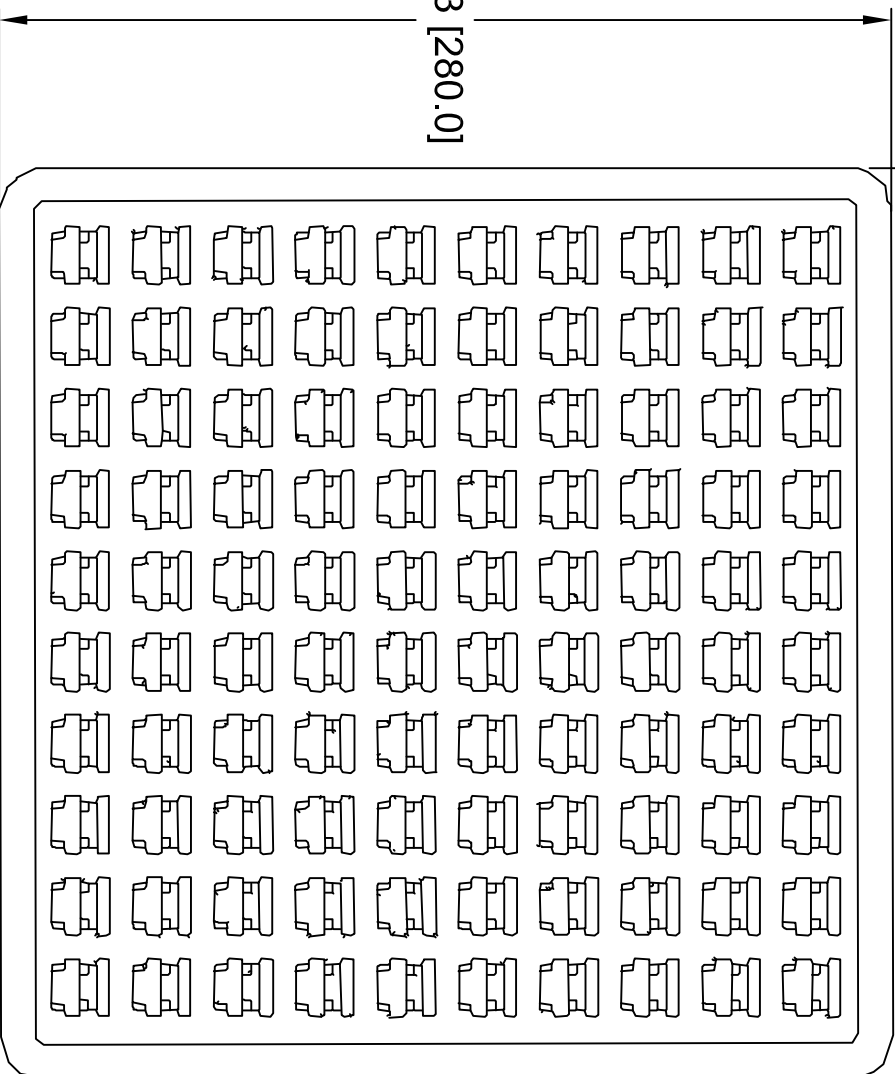
ISSUE

9



11.023 [280.0]

0.401 [10.2]



NOTES:

1. MATERIAL: TRANSPARENT PVC
2. THICKNESS: 0.20 ± 0.05MM
3. PCS / TRAY : 100PCS
4. TRAY / BOX : 25TRAYS
5. PCS / BOX : 2500PCS
6. CARTON SIZE:  
300MM x 300MM x 265MM

**USB-A RECEPTACLE 90° DIP, 3.0 VERSION  
TRAY PACKAGING (100 PCS PER TRAY)**

**EDAC INC**  
TORONTO, ONTARIO  
CANADA  
YOUR CONNECTION TO QUALITY & SERVICE

THESE DRAWINGS AND SPECIFICATIONS  
ARE THE PROPERTY OF EDAC INC. AND  
SHALL NOT BE REPRODUCED OR COPIED  
OR USED AS THE BASIS FOR THE  
MANUFACTURE OR SALE OF APPARATUS  
WITHOUT WRITTEN PERMISSION.

ACAD REFERENCE NO. 690-009-521-013

DRAWN: R.STA.MONICA DATE: JUN.01/10

PART NUMBER

**SEE PAGE 1 OF 3**

SHEET 3 OF 3

DRAWING NUMBER

**690-009-521-013**

ISSUE

**9**