

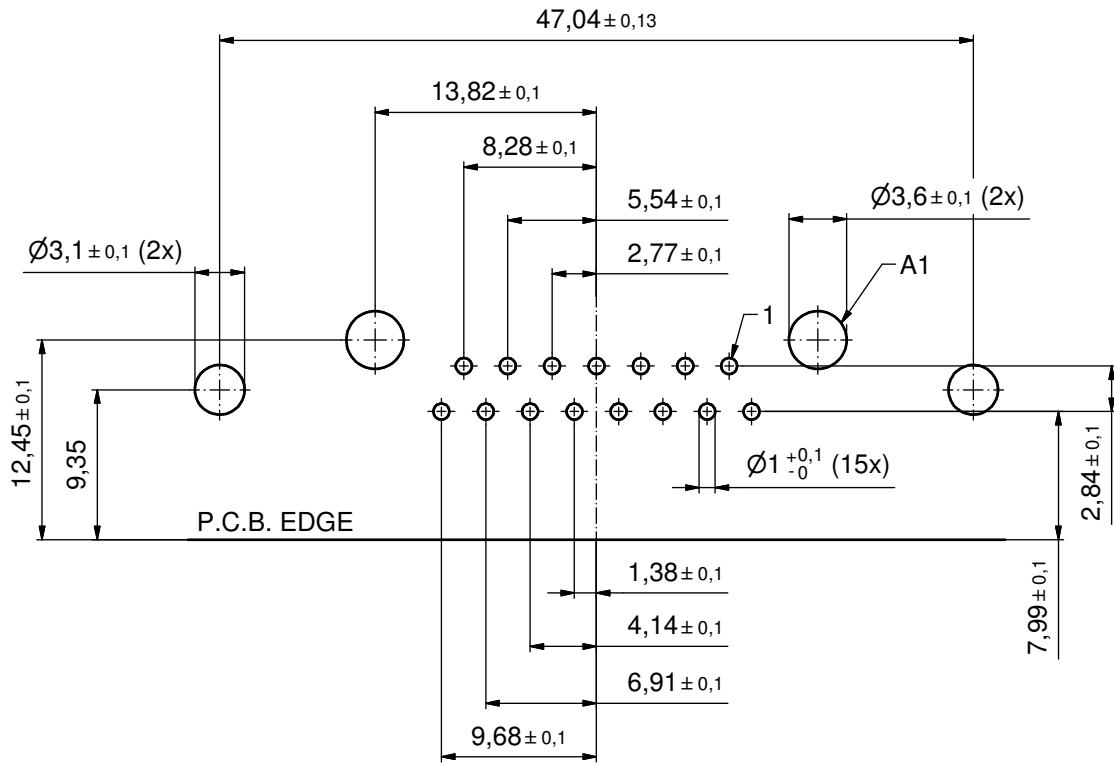
NOTES:

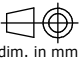

- METALSHELLS: STEEL; min. 315µm TIN over 40-80µm NICKEL
- INSULATORS: PBT GF UL 94 V-0; GREEN
- SIGNAL CONTACTS: COPPER ALLOY
PLATING: GOLD FLASH over NICKEL
- HIGH POWER CONTACTS 20A: COPPER ALLOY
PLATING MATING AREA: GOLD FLASH over NICKEL
PLATING TERMINATION SIDE: 160-240µm TIN over 80µm NICKEL
- METAL BRACKETS: ZINC DIE CAST;
300µm COPPER / 40-120µm NICKEL / 120-200µm TIN
- THREADED INSERTS: COPPER ALLOY; min. 200µm TIN over 80µm NICKEL
- PCB-SNAPS: COPPER ALLOY; min. 200µm TIN over 80µm NICKEL
PCB-HOLE: $\varnothing 3.1 \pm 0,1$ mm; PCB-THICKNESS: 1.6mm
- P.C.B. HOLE DRILLINGS ON SHEET 2
- MAXIMUM TORQUE VALUE FOR THREAD: 6 in.LB
- CONNECTOR IS PART MARKED: 3017W2SAT73N40X CONEC ABC

Directive 2002/95/EC RoHS compliant

THIS DRAWING MAY NOT BE COPIED OR REPRODUCED IN ANY WAY, AND MAY NOT BE PASSED ON TO A THIRD PARTY WITHOUT WRITTEN PERMISSION. OWNERSHIP AND COPYRIGHT OF CONEC GmbH DO NOT ALTER CAD DRAWING BY HAND	tolerance		dim. in mm	scale: 2:1 (5:1)		
				material: see notes		
	drawn	28.08.13	Henneboel	title: D-SUB COMBINATION FEMALE 90° 17W2S with threaded insert, metal bracket and snap		
	appd.	28.08.13	Fischer			
	norm					
d-old			dwg no:		DIN-A3	
a	Original				sh: 1/2	
rev.	description	date			name	part no: 3017W2SAT73N40X

P.C.B. HOLE DRILLINGS
(P.C.B. TOP SIDE)



THIS DRAWING MAY NOT BE COPIED OR REPRODUCED IN ANY WAY, AND MAY NOT BE PASSED ON TO A THIRD PARTY WITHOUT WRITTEN PERMISSION. OWNERSHIP AND COPYRIGHT OF CONEC GmbH DO NOT ALTER CAD DRAWING BY HAND				tolerance	 dim. in mm	scale: 3:1	
				date		name	material: see sheet 1
				drawn	28.08.13	Henneboel	title: P.C.B. HOLE DRILLINGS D-SUB COM. FEMALE 90° 17W2S with threaded insert, metal bracket and snap
				appd.	28.08.13	Fischer	
				norm			
			d-old			dwg no:	
a	Original					13K1A4431	DIN-A3
rev.	description	date				name	part no: