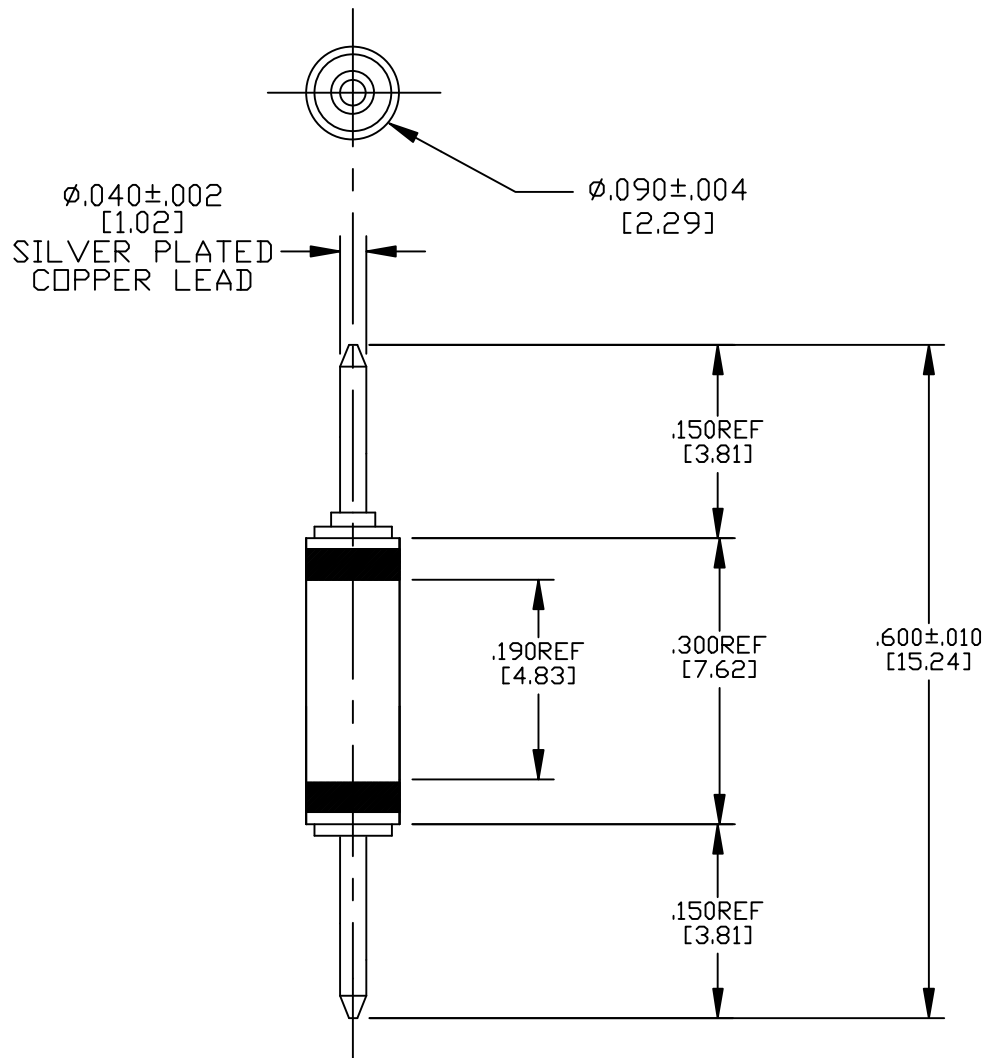
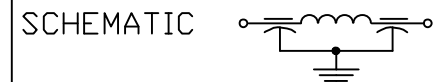


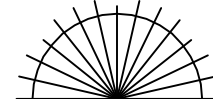
NOTE:
1. MAXIMUM INSTALLATION TEMP.: 500°F



LEAD FINISH: SILVER	
CAP FINISH: GOLD	
CAPACITANCE	3000pF - 5000pF
TEMP. RANGE	-55°C TO 125°C
CURRENT	15 AMP MAX.
WORKING VOLTAGE	125°C 125 VDC MAX.
D.C. RESISTANCE	.01ohms MAX.
MIN. I.L. PER MIL-STD-220 AT 25°C	
FREQ. MHz	I.L. (db)
10	5
100	45
1 GHz	70



MARKING:
PART: NONE
BAG: SCI
859635-1
LOT #
DATE CODE
QTY./BAG (200 MAX)

CN 206993 REDRAWN	11	REV. NO.	TOLERANCES UNLESS OTHERWISE SPECIFIED	 ERIE, FAIRVIEW PENNSYLVANIA SPECTRUM CONTROL INC. Dwn. KRDZALIC Ckd. 5/14/02 Scale NONE
	CHANGE NOTICE	Fractions $\pm 1/64$	Description	
		Dec. .xx \pm	PI FILTER PIN	
		Dec. .xxx $\pm .010$	859635-1	
		Angles $\pm 0^\circ 30'$		
		CODE IDENT. NO. DLSP2		