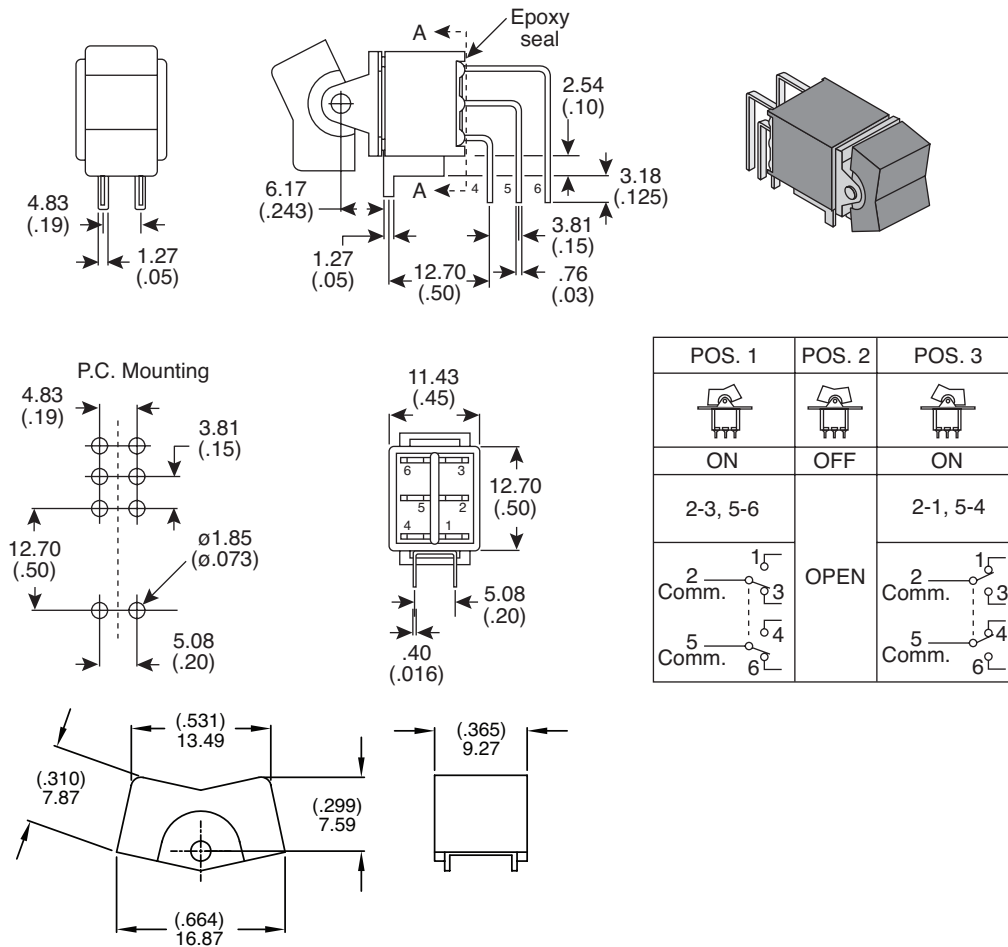


Dimensions: mm (in.)



Mechanical Specifications:

- Mechanical Life: 30,000 make-and-break cycles
- Operating Temperature: -30°C to 85°C

Electrical Specifications:

- Rating: 2A 250VAC; 5A 120VAC or 28VDC
- Contact Resistance: 10mΩ max. initial @ 2-4VDC 100mA
- Insulation Resistance: 1,000MΩ min.
- Dielectric Strength: 1,000 V RMS @ sea level

Materials:

- Case & Bushing: glass filled nylon 6/6, flame retardant, heat stabilized
- Actuator: nylon, black std. internal o-ring seal std. w/ all actuators
- Frame: spring steel, black std.
- Housing: stainless steel
- Switch Support: brass or steel, tin plated
- Terminals / Contact: silver or gold plated copper alloy
- Actuator pivot & mounting bracket: nylon
- Actuator pivot retainer: stainless steel

Note:

- RoHS compliant by exemption

Sealed Miniature Rocker Switch
103-7023-EVX

