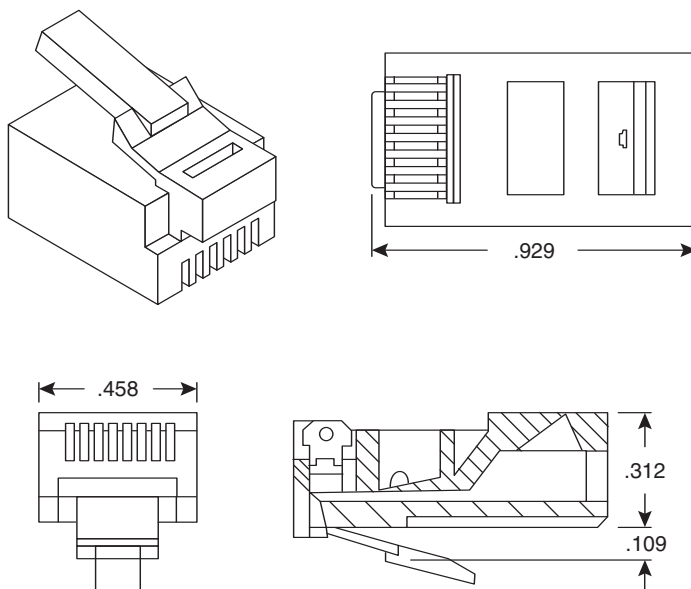


Modular Plug

154-7641



Modular Plug



DIMENSIONS IN

SPECIFICATIONS	
USOC Type:	RJ45, 8P8C modular
Rating:	250VAC @ 2A max.
Dielectric Withstand Voltage:	500VAC
Insulation Resistance:	500MΩ.
Termination Resistance:	35mΩ max.
Operating Temperature:	-40°C ~ +125°C
Cable ~ Plug Tensile Strength:	20 lbs. (89N) min.
Contacts:	6μ gold plated phosphor bronze
Housing:	polycarbonate
Durability	200 mating cycles
Western Electric Type:	641

Date Last Revised: 4-21-05

Available from Mouser Electronics
 1-800-346-6873
 www.mouser.com

KC-300633

154-7641