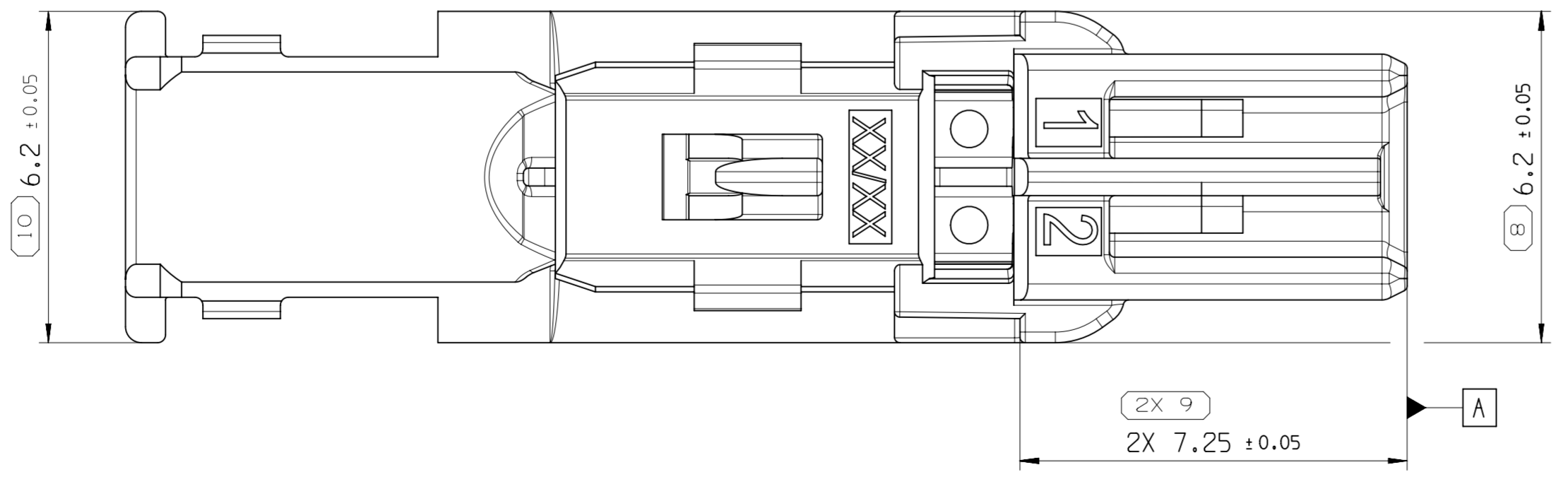
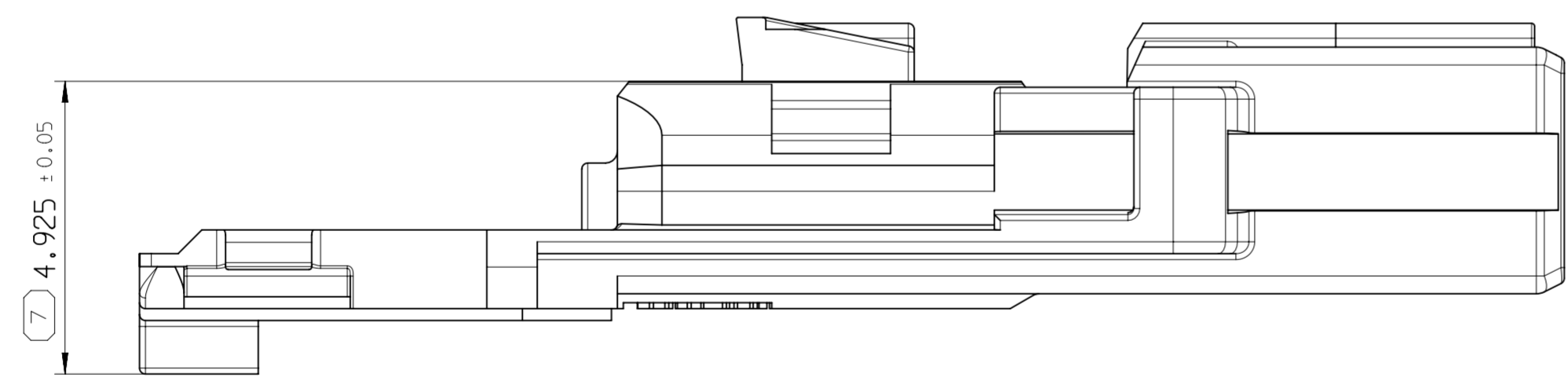
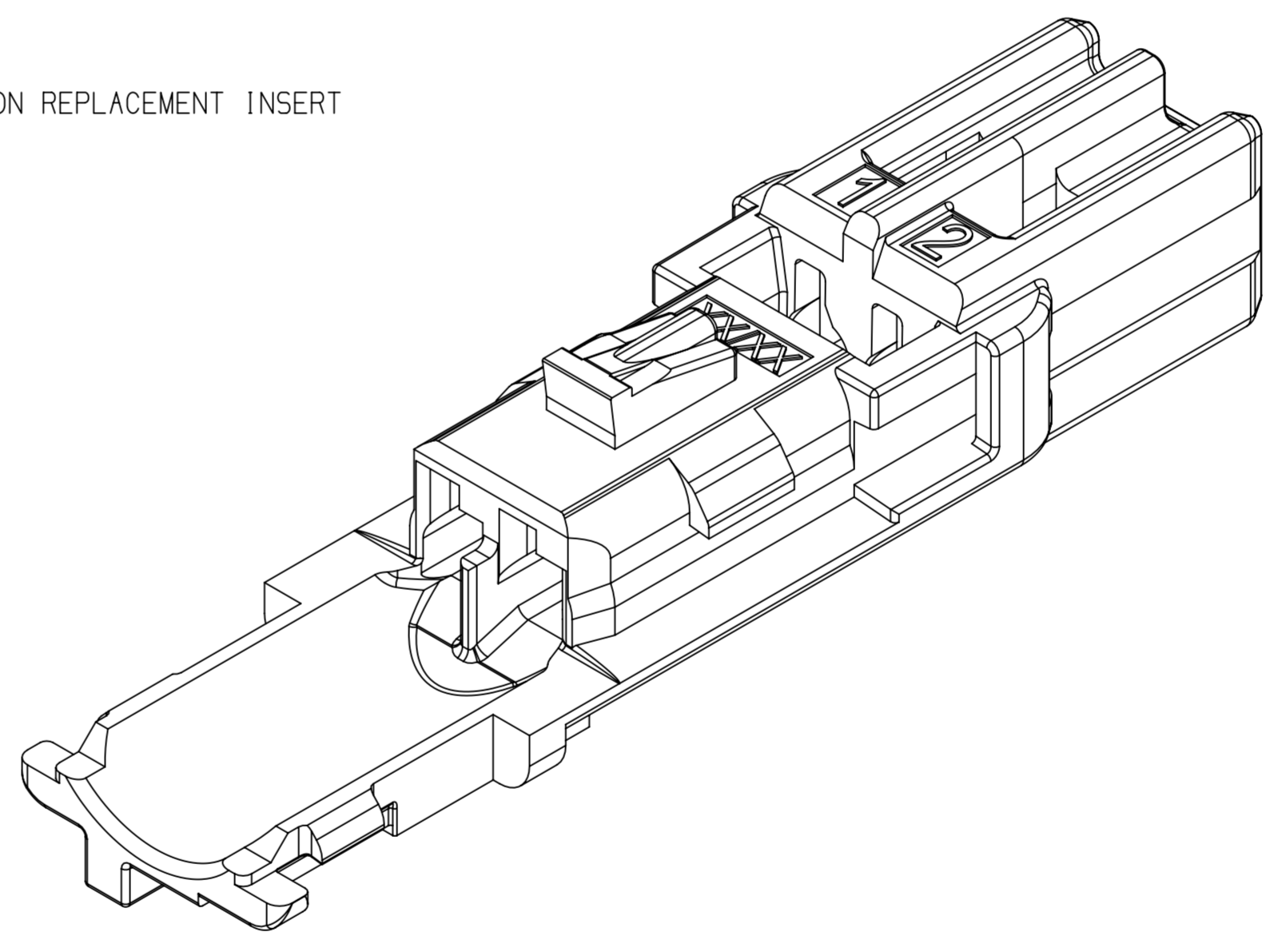
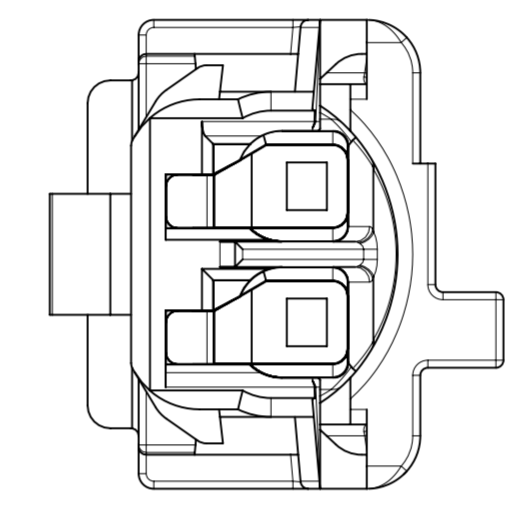
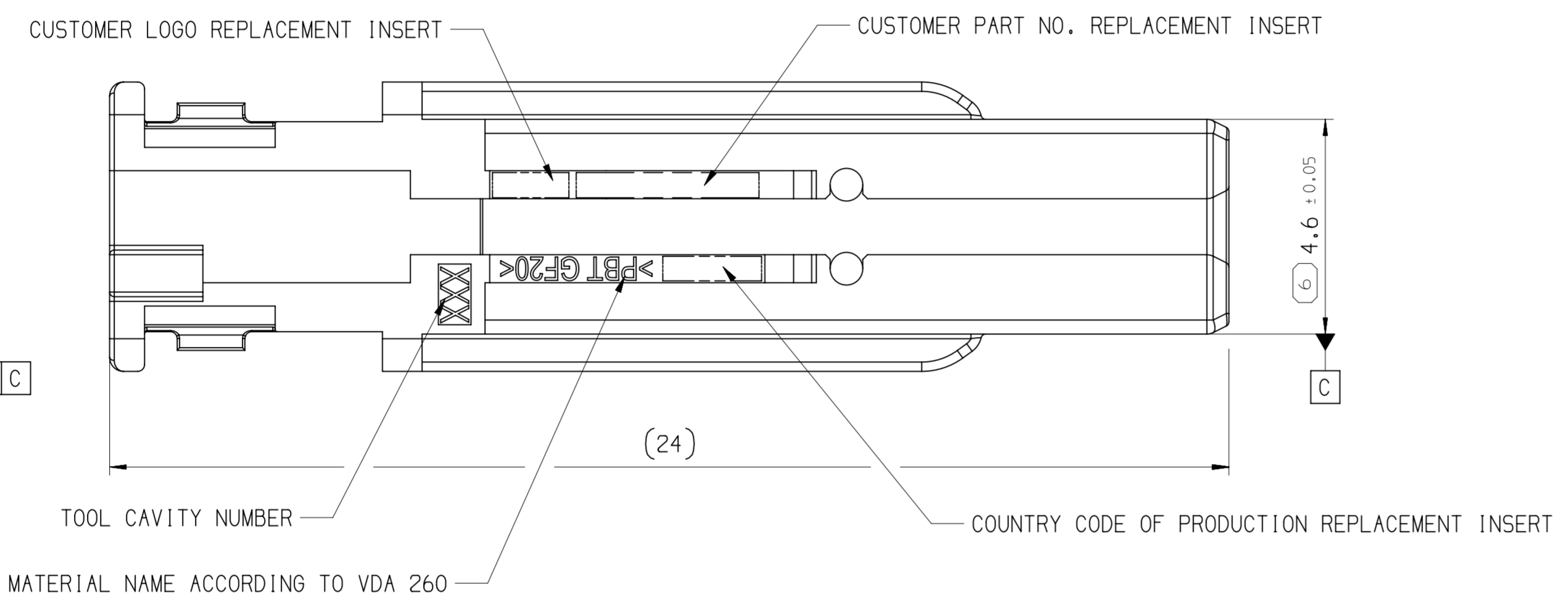
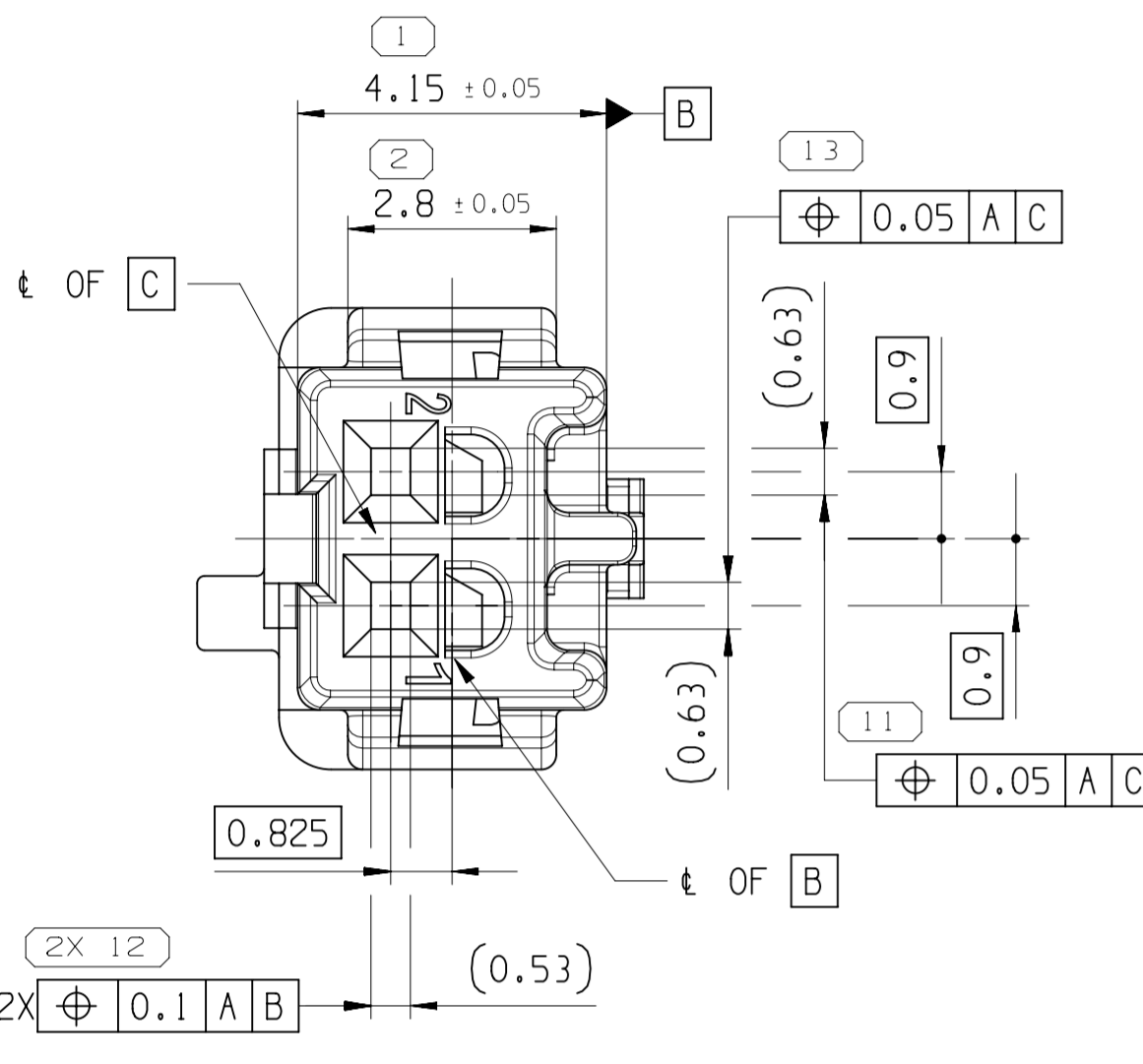
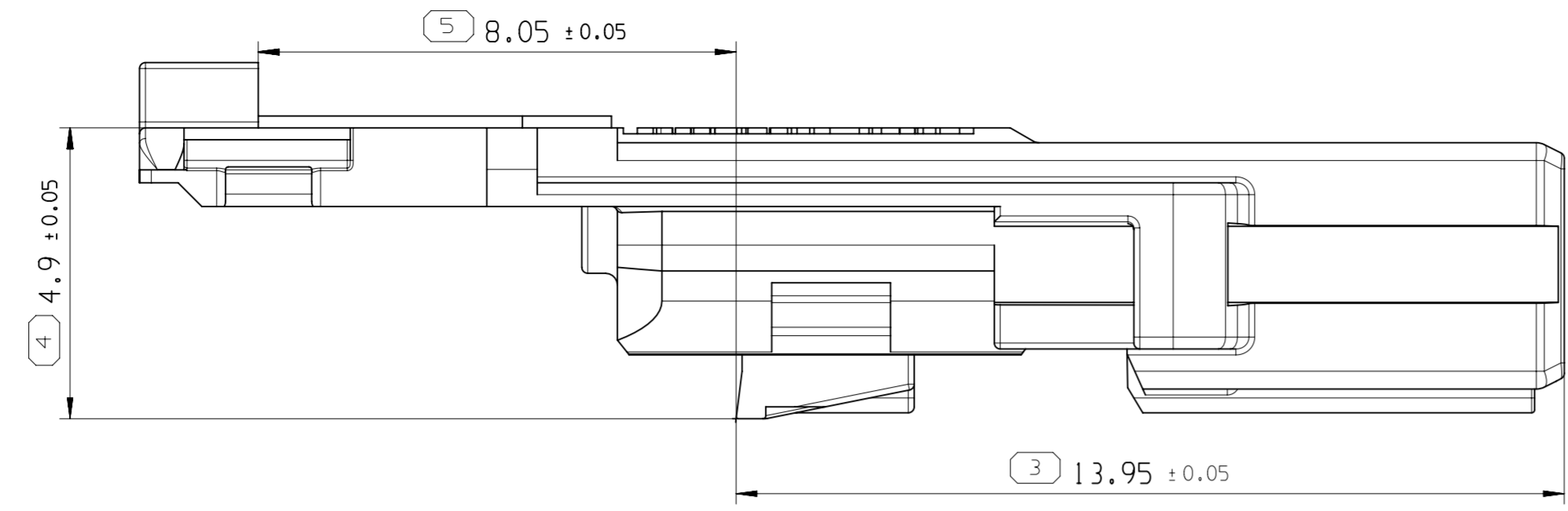


PART-NO. :	PART-REV	DATE DATUM	MATERIAL WERKSTOFF	COLOR FARBE	SIM. RAL
35186977	02	28JN18	PBT GF20	BLACK	9011

DWG STATUS				ZONE		REVISION HISTORY		AUTH	DR	APVD 1	APVD 2
DATE	STG	REV	N/P/CHG								
23JUL18	R	01				INITIAL RELEASE			J.NAV	V.VOL	
06FE20	R	01	AA			DRAWING MODIFIED			S.THA	V.VOL	



NOTES:  
 1. UNLESS OTHERWISE SPECIFIED AND/OR INDICATED:  
 DIMENSIONS ARE TO FACE OF VIEW SHOWN AND AUTOMATICALLY ROUNDED BY COMPUTER FOR INSPECTION (SEE MATH MODEL FOR PRECISE DIMENSIONS). FOR ALL OTHER DIMENSIONS NOT SHOWN BUT REQUIRED FOR TOOL BUILD, SEE MATH MODEL FOR PRECISE TOOL PATH DATA.

A LINE DRAWN THROUGH A PART NUMBER INDICATES THAT PHYSICAL PARTS ARE NOT AVAILABLE FOR ORDERING.  
 PART NUMBERS THAT DO NOT HAVE A LINE PRESENT INDICATE THAT PHYSICAL PARTS ARE AVAILABLE FOR ORDERING.  
 CONTACT APTIV SALES TO ASSURE AVAILABILITY OF PARTS.  
 MIT EINER LINE DURCHGESTRICHENE PART-NR. GEGENZEICHNET, DASS DIESE PART-NR. NICHT BESTELLT WERDEN KANN.  
 PART-NR. DIE KEINE LINE ZEIGEN, KENNZEICHNEN, DAS TEILE ZUR BESTELLUNG VERFUEGBAR SIND.  
 FUEHR VERFUEGBARKEIT DER PARTS DEN EINKAUF VON APTIV KONTAKTIEREN.

SHARP CORNER TOLERANCE  
 R 0.2 MAX  
 R 0.1 MAX

DIMENSIONAL RANGE (MM)	TOLERANCE UNLESS OTHERWISE SPECIFIED	CHART	EL
FROM > 0 TO > 20	+0.15	1	1
> 20 TO > 30	+0.2	2	2
> 30 TO > 70	+0.3	3	3
> 70 TO > 100	+0.4	4	4
> 100 TO > 150	+0.5	5	5
> 150 TO > 200	+0.6	6	6
> 200 TO > 250	+0.8	7	7
> 250 TO > 300	+1	8	8
> 300 TO > 400	+1.2	9	9

DWG TYP	PART DRAWING
WEIGHT (GR)	0.33
VOLUME (CM <sup>3</sup> )	0.23
ROUTING	
UNLESS OTHERWISE SPECIFIED	
GENERAL TOLERANCES ACCORDING TO:	SEE CHART
GD&T ACCORDING TO:	ISO 1101
REFERENCE	
FIRST ANGLE PROJECTION	
DO NOT SCALE	
USE MATH DATA	

**• APTIV •**  
 CONNECTION SYSTEMS  
 Chennai, India  
 COPYRIGHT 2018 APTIV. ALL RIGHTS RESERVED.

THIS DRAWING IS THE PROPERTY OF APTIV AND CONTAINS APTIV CONFIDENTIAL INFORMATION. THE REPRODUCTION, DISTRIBUTION AND UTILIZATION OF THIS DOCUMENT OR ITS RELATED CAD MATH DATA, AS WELL AS COMMUNICATION OF ANY CONTENT TO OTHERS, WITHOUT EXPRESS AUTHORIZATION, IS PROHIBITED.

DIESE ZEICHNUNG IST EIGENTUM DER FIRMA DELPHI UND ENTHAELT DELPHI VERTRAULICHE INFORMATIONEN. DIE REPRODUKTION, VERTEILUNG UND NUTZUNG DIESES DOKUMENTES ODER DEREN ZUGEHÖRIGEN CAD DATEN, ODER AUCH ALS KOMMUNIKATION VON BELIEBIGEN INHALT ZU ANDEREN, IST OHNE BERECHTIGUNGSPRUEFUNG DURCH DIE DELPHI CORPORATION UNZULAESSIG.

DR	N. JAVVADI	DATE	17MY18
APVD1	V. VOLKOV		17MY18
APVD2			
APVD3			
APVD4			
APVD5			

SUBSTANCES OF CONCERN AND RECYCLED CONTENT PER APTIV 10949001 POTENTIELL GEFÄHRLICHE STOFFE UND REZYKLATANTEIL GEMÄSS DELPHI 10949001

MATERIAL: SEE CHART

DRAWING NAME: 2-WAY INSERT FEMALE

DRAWING NUMBER: 35166022

SIZE	SCALE	FRAME NO	SHEET NO	STG	REV	N/P
A1	10:1	1 OF 1	1 OF 1	R	01	AA