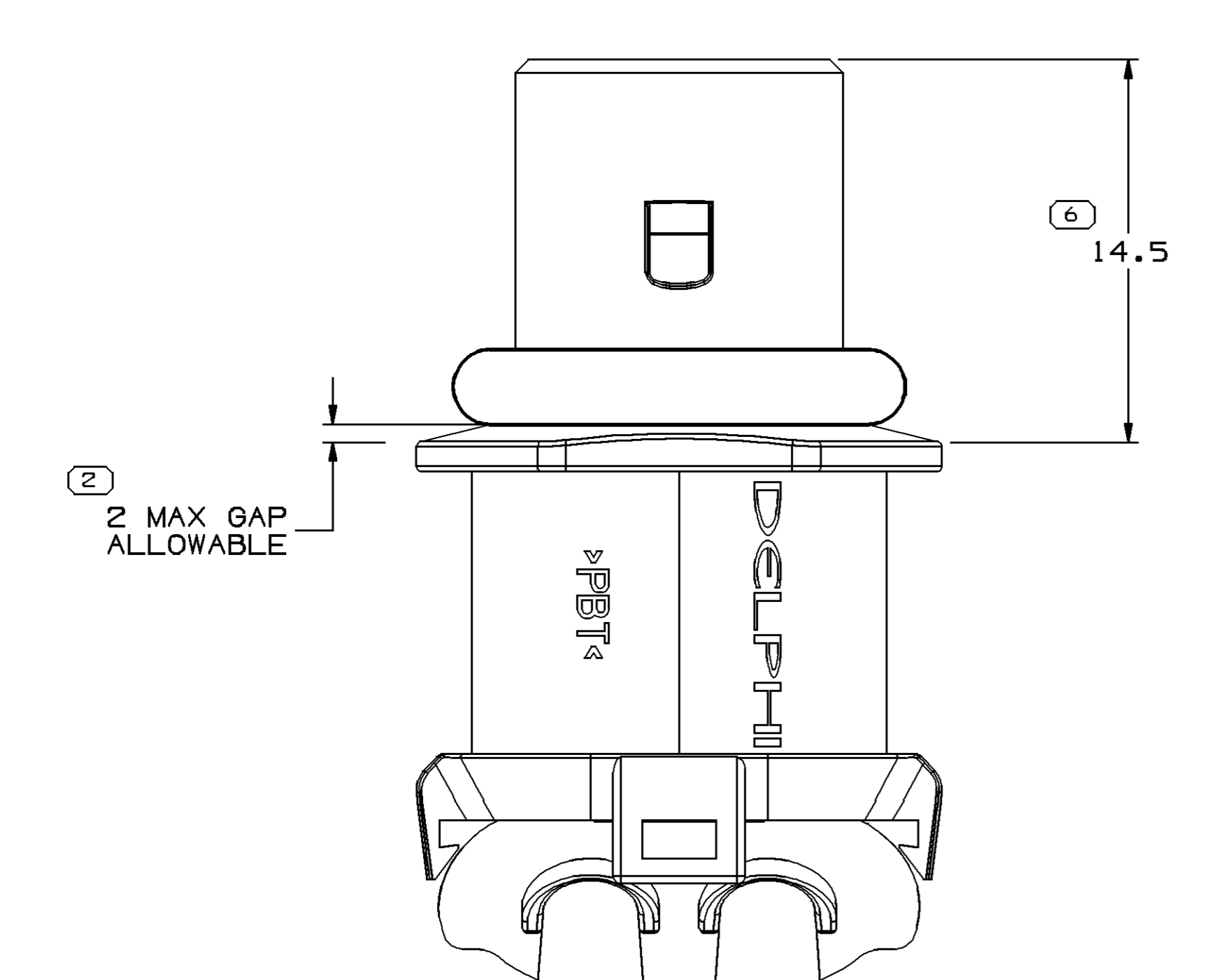
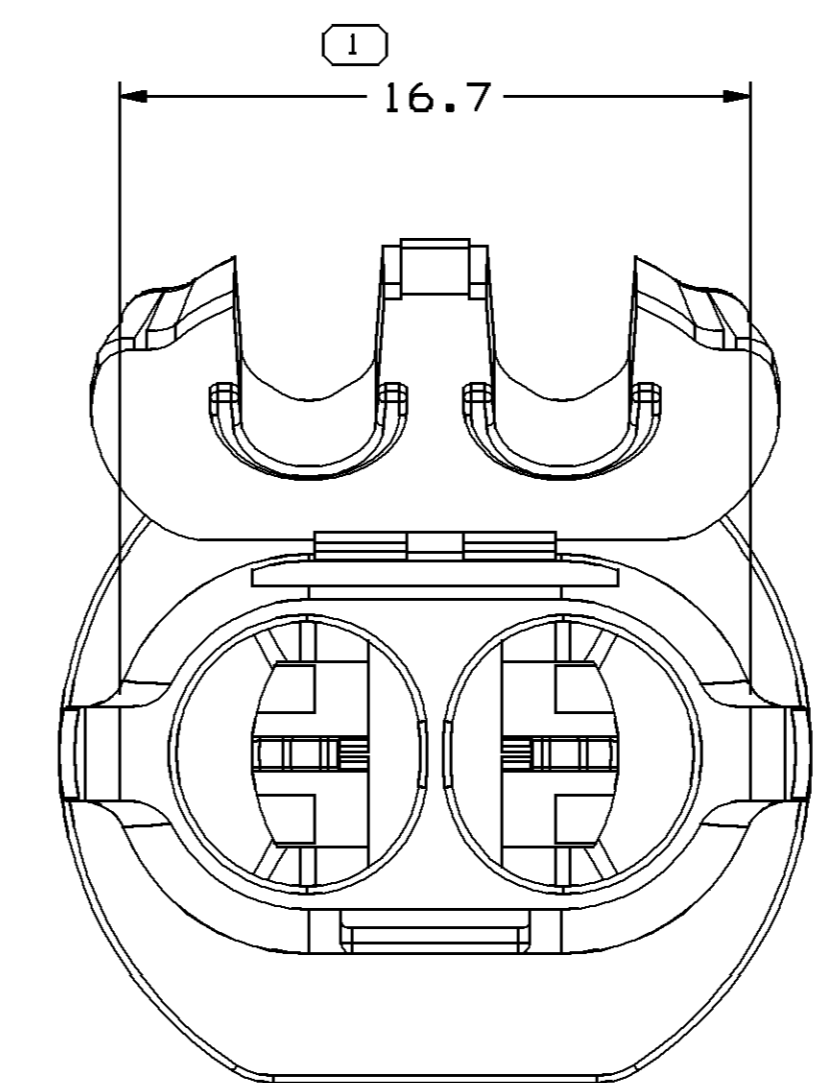
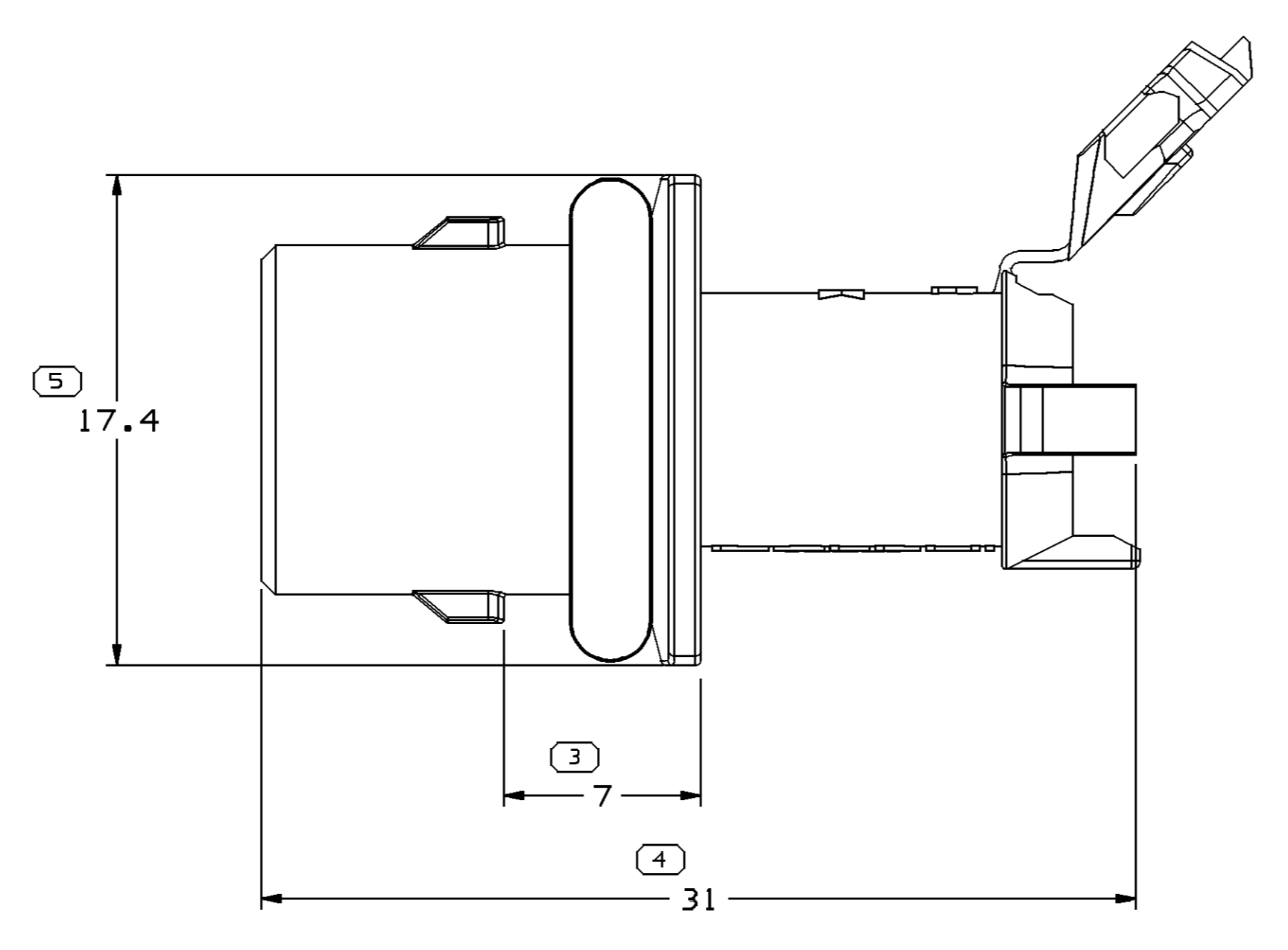
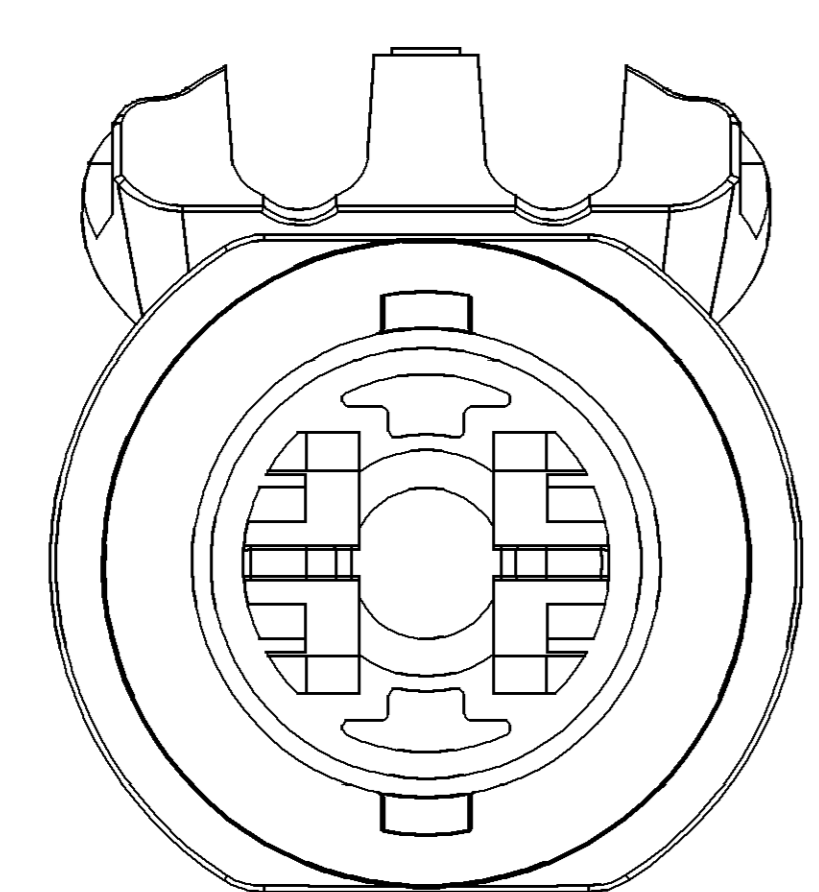
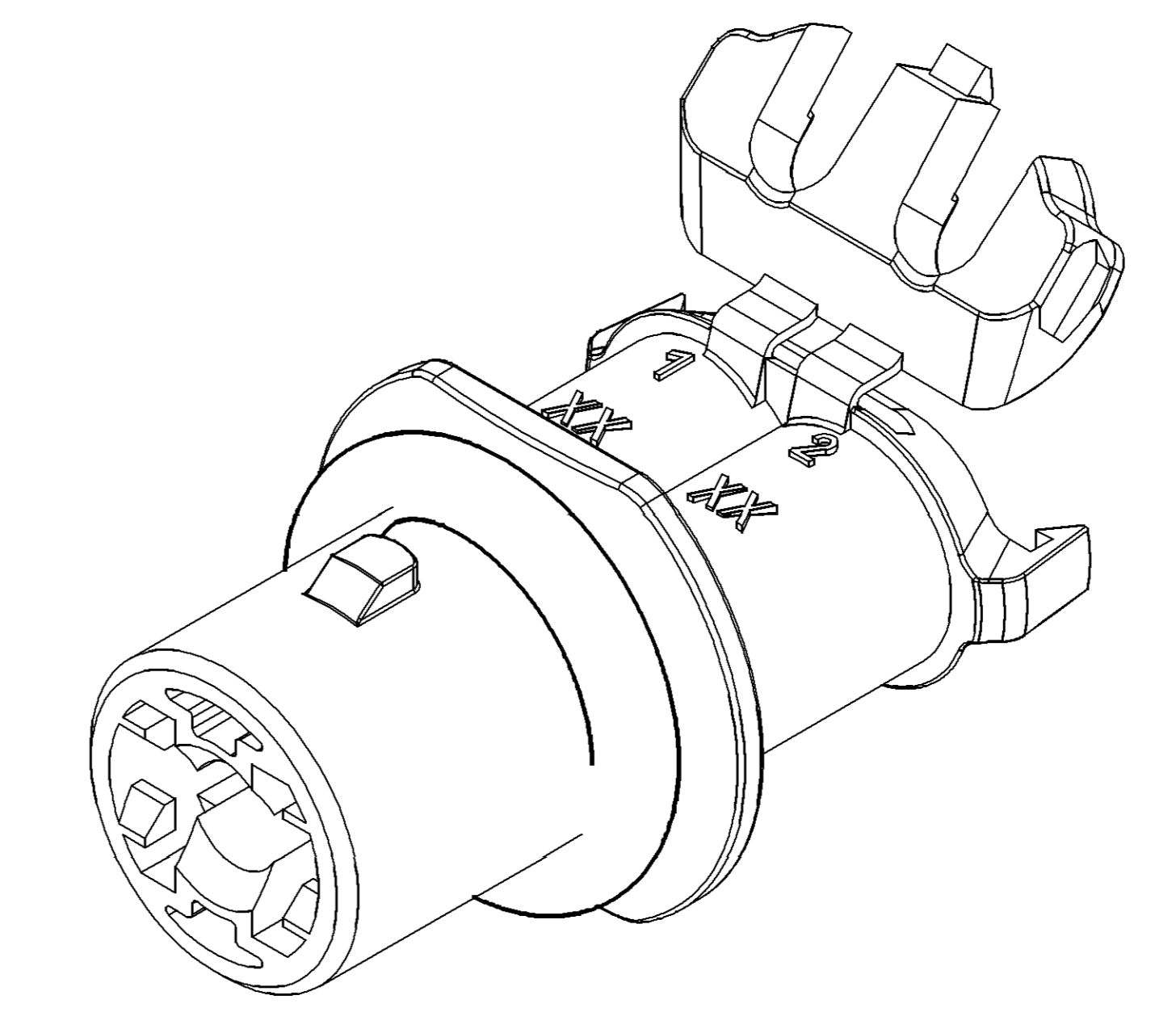
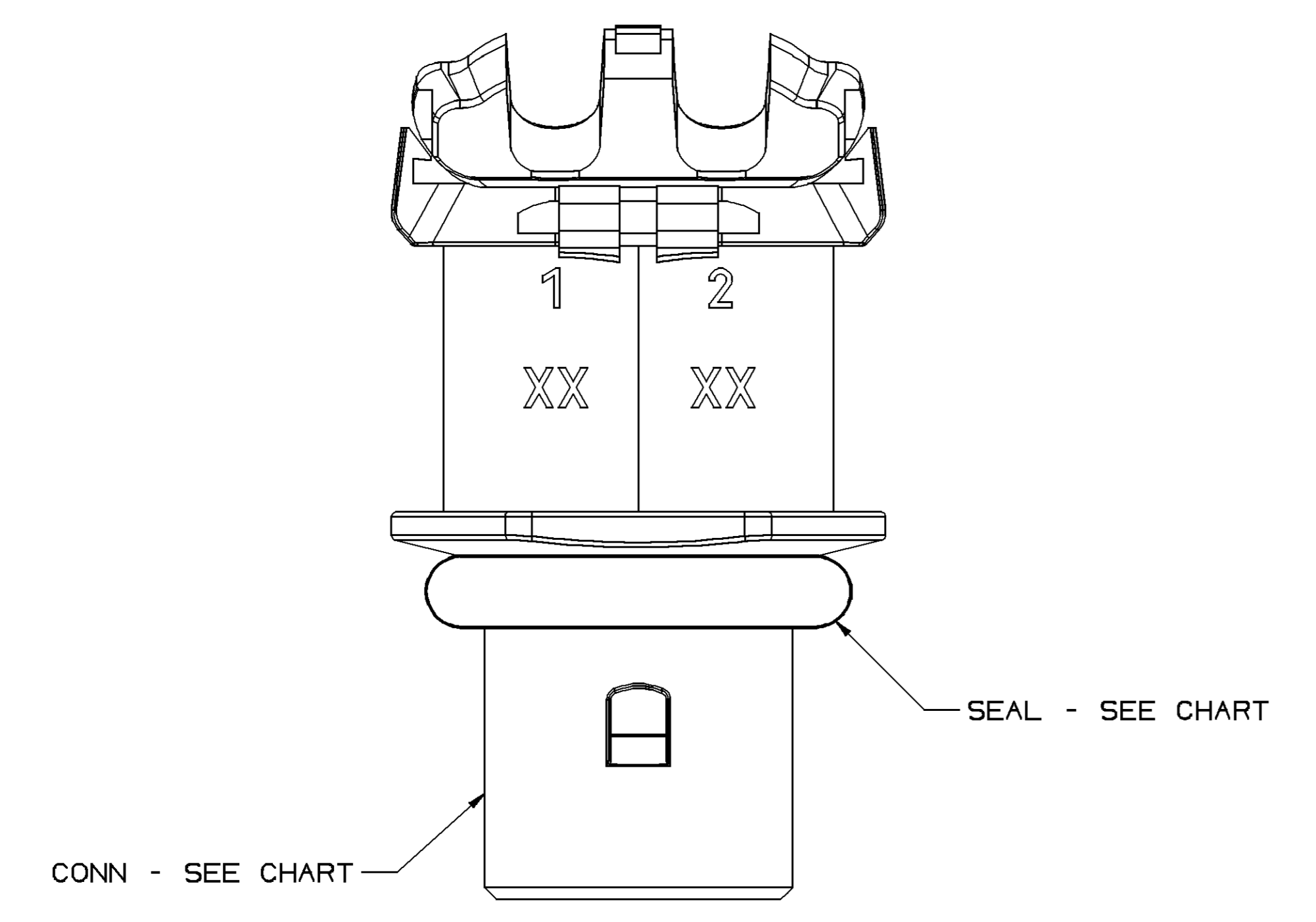


SYMBOL DEFINITION				MISSING SYMBOLS				REVISION HISTORY				AUTH		DR		AP/D	
A DIMENSION WITHOUT AN INSPECTION REPORT SYMBOL DOES NOT REQUIRE INSPECTION. IT MAY BE CONTROLLED ON THE INDIVIDUAL COMPONENT DRAWING.				TOTAL NO OF INSPECTIONS REQUIRED				NO MISSING SYMBOL NUMBER				404190		805		AAV/AAV	
				6													
				LAST NO. USED													
								DATE				24MR08		R		01	
								STG									
								REV									
								N/P									
								CHG									
								ZONE									
								RELEASED									



- NOTES
- UNLESS OTHERWISE SPECIFIED AND/OR INDICATED:  
DIMENSIONS ARE TO FACE OF VIEW SHOWN AND AUTOMATICALLY ROUNDED BY COMPUTER FOR INSPECTION (SEE MATH MODEL FOR PRECISE DIMENSIONS). FOR ALL OTHER DIMENSIONS NOT SHOWN BUT REQUIRED FOR TOOL BUILD, SEE MATH MODEL FOR PRECISE TOOL PATH DATA.
  - THIS PRODUCT IS NOT CATEGORIZED AS AN APPEARANCE ITEM, MINOR IMPERFECTIONS INCLUDING, BUT NOT LIMITED TO, FLOW MARKS, COLOR BLEMISHES, GATE VESTIGES, AND SOFT FLASH THAT DO NOT AFFECT THE FIT, FORM, OR FUNCTION OF THE PART ARE PERMISSIBLE PER NAP 4.10-18.
  - THIS PART IS NOT CONTROLLED FOR AUTOMATIC FEEDING.
  - FOR APPLICATION DATA SEE THE APPLICATION DRAWING.

13698133	13698132	15344774
PART NO	CONN	SEAL

PART DRAWING																																	
VOLUME 1047	DISTR CODE																																
D																																	
UNLESS OTHERWISE SPECIFIED																																	
THIS DOCUMENT IS IN ACCORDANCE WITH ASME Y14.5M-1994 AS AMENDED BY THE NEW SCHEMATIC DIMENSIONING AND TOLERANCEING ADDENDUM-2001. SEPARATE WRITINGS OR REFERENCES MAY BE BASED SEPARATELY PER-PROCESSOR OF DATUM REFERENCES.																																	
ALL DIMENSIONS ARE IN MILLIMETERS																																	
REFERENCE	15345129																																
THIRD ANGLE PROJECTION																																	
DO NOT SCALE																																	
USE MATH DATA																																	
<table border="1"> <tr> <th>DIMENSIONAL RANGE (MM)</th> <th>SHORT ET</th> </tr> <tr> <td>FROM &gt; 0</td> <td>&gt; 30</td> </tr> <tr> <td>&gt; 30</td> <td>&gt; 70</td> </tr> <tr> <td>&gt; 70</td> <td>&gt; 100</td> </tr> <tr> <td>&gt; 100</td> <td>&gt; 150</td> </tr> <tr> <td>&gt; 150</td> <td>&gt; 200</td> </tr> <tr> <td>&gt; 200</td> <td>&gt; 250</td> </tr> <tr> <td>&gt; 250</td> <td>&gt; 300</td> </tr> <tr> <td>&gt; 300</td> <td>&gt; 400</td> </tr> <tr> <td colspan="2">TOLERANCE UNLESS OTHERWISE SPECIFIED</td> </tr> <tr> <td>±0.15</td> <td>±0.2</td> </tr> <tr> <td>±0.3</td> <td>±0.4</td> </tr> <tr> <td>±0.5</td> <td>±0.6</td> </tr> <tr> <td>±0.8</td> <td>±1</td> </tr> <tr> <td>±1</td> <td>±1.2</td> </tr> <tr> <td colspan="2">ANGULAR TOLERANCE 30°</td> </tr> </table>		DIMENSIONAL RANGE (MM)	SHORT ET	FROM > 0	> 30	> 30	> 70	> 70	> 100	> 100	> 150	> 150	> 200	> 200	> 250	> 250	> 300	> 300	> 400	TOLERANCE UNLESS OTHERWISE SPECIFIED		±0.15	±0.2	±0.3	±0.4	±0.5	±0.6	±0.8	±1	±1	±1.2	ANGULAR TOLERANCE 30°	
DIMENSIONAL RANGE (MM)	SHORT ET																																
FROM > 0	> 30																																
> 30	> 70																																
> 70	> 100																																
> 100	> 150																																
> 150	> 200																																
> 200	> 250																																
> 250	> 300																																
> 300	> 400																																
TOLERANCE UNLESS OTHERWISE SPECIFIED																																	
±0.15	±0.2																																
±0.3	±0.4																																
±0.5	±0.6																																
±0.8	±1																																
±1	±1.2																																
ANGULAR TOLERANCE 30°																																	

**DELPHI**  
DELPHI PACKARD ELECTRICAL/ELECTRONIC ARCHITECTURE  
WARREN, OH

DR	DATE
APV01 G. QUINTANILLA	24MR08
APV02 ABEL SUAREZ	24MR08
APV03 ABEL SUAREZ	24MR08
APV04	
APV05	
SUBSTANCES OF CONCERN AND RECYCLED CONTENT PER DELPHI 10949001	
HISTORY/1/1 SEE INDIVIDUAL DRAWING	
DRAWING NAME	
ASM CONN 2 F LP SOC WED08 SLD	
DRAWING NUMBER	
13698133	
SIZE	SCALE
A0	5:1
FRAME NO	SHEET NO
1	1 OF 1
STG	REV
R	01

Doc: 13698133-01-01-01 Date: 05-Aug-08 Time: 16:42