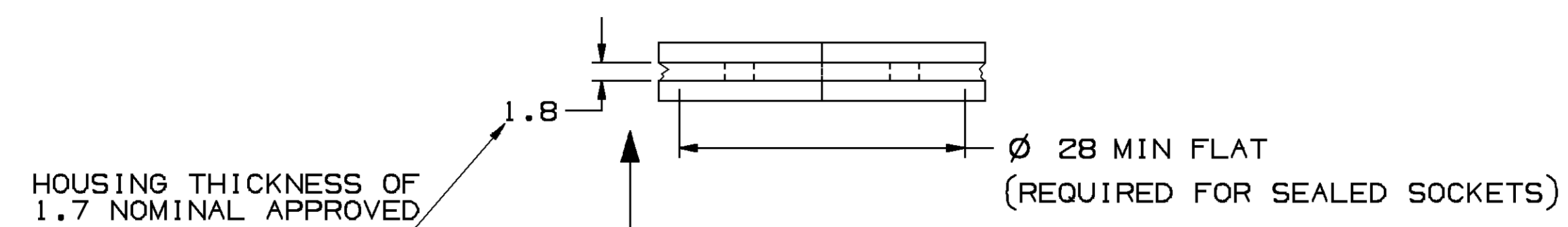
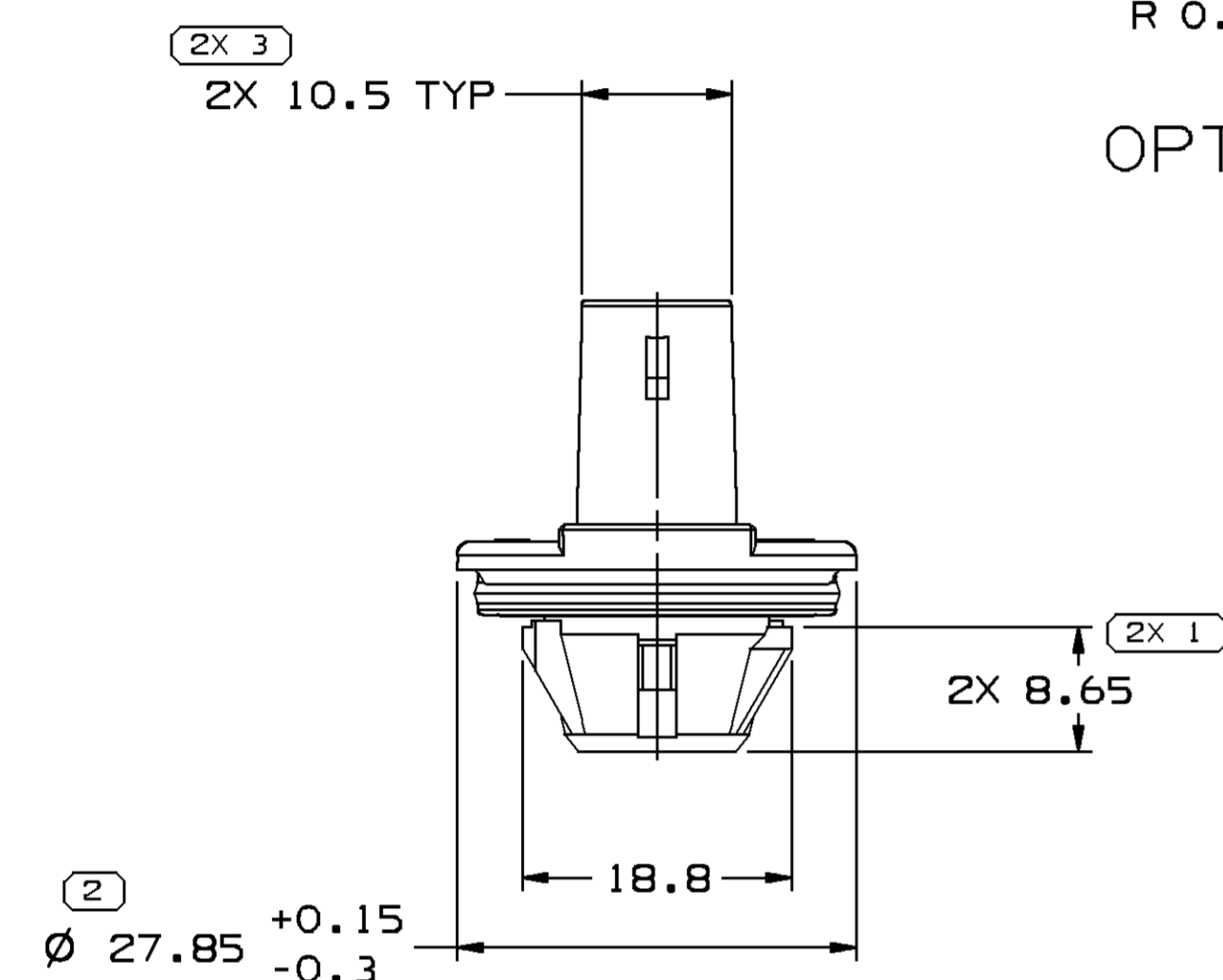
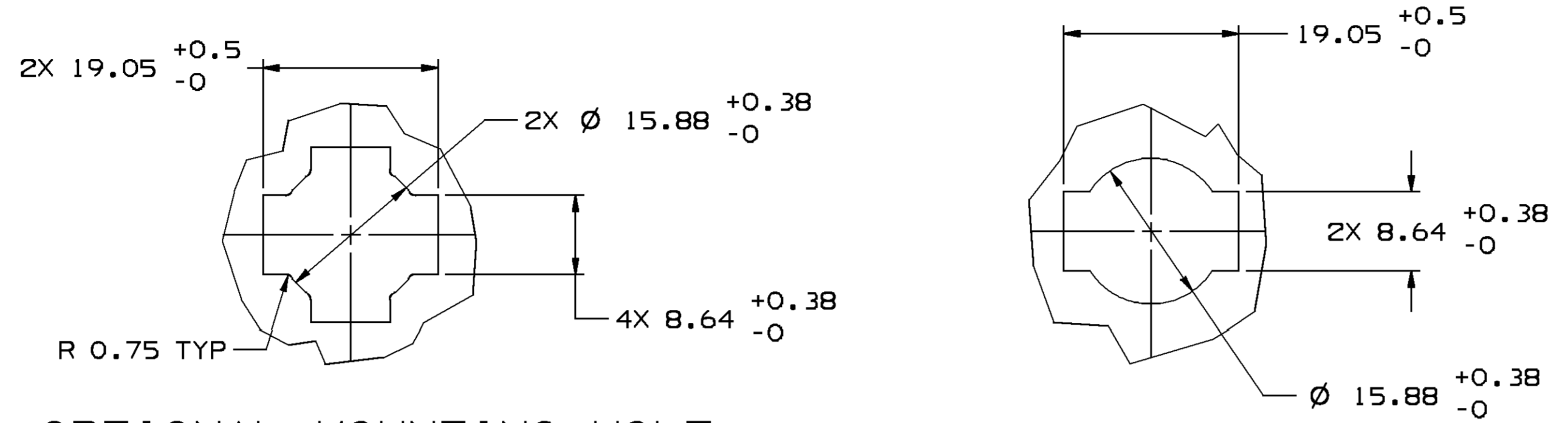


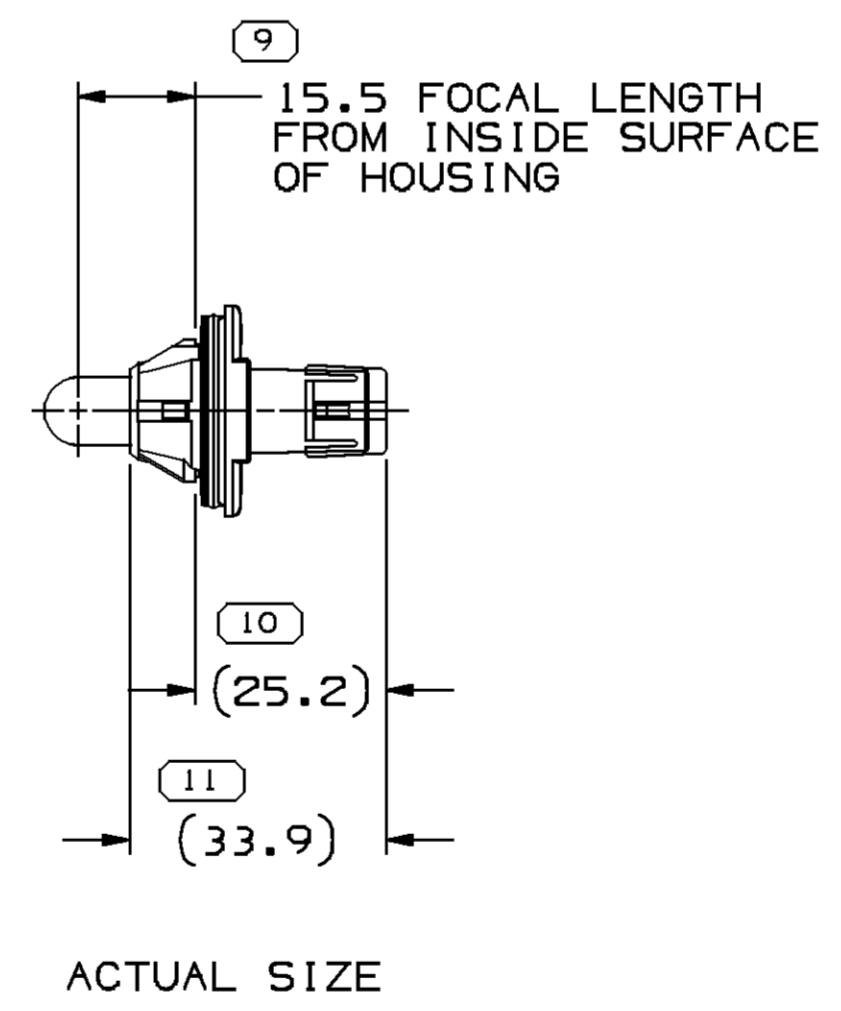
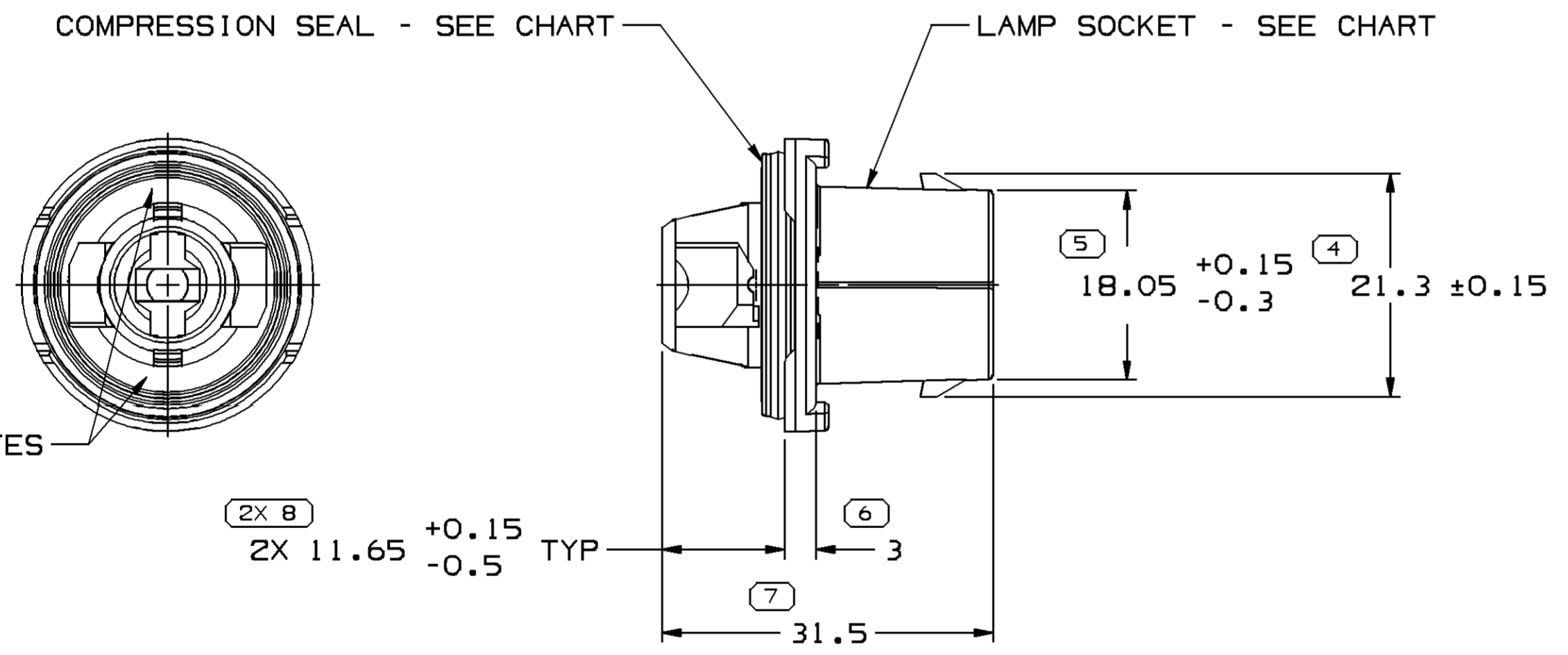
SYMBOL DEFINITION		MISSING SYMBOLS	
A DIMENSION WITHOUT AN INSPECTION REPORT SYMBOL DOES NOT REQUIRE INSPECTION. IT MAY BE CONTROLLED ON THE INDIVIDUAL COMPONENT DRAWING.	TOTAL NO OF INSPECTIONS REQUIRED	NO MISSING SYMBOL NUMBER	
	14		
	LAST NO. USED		
	11		

DWG STATUS		ZONE		REVISION HISTORY		AUTH		DR		APVD	
DATE	STG	REV	N/P	CHG							
23AU99	R	001	-	-	12110053 - WAS SEPARATE DRAWING	191519	HGH	CMP	JA		
23AU99	R	002	-	-	15324681 - RELEASED	990005	HGH	CMP	JA		
23AU99	R	003	-	-	ALL PARTS-11.65 WAS 11.67, ADDED PROCESS NOTES & REMOVED 27.85 DIA; 12161107- WAS SEPARATE DWG; 12110053- REVISED 12146595 MAT'L SPEC	195289	HGH	CMP	JA		
23AU99	R	004	-	-	12110053 - REVISED 12146595 MAT'L SPEC	196821	HGH	CMP	JA		
23AU99	R	005	-	-	15324681 - INACTIVE	990005	HGH	CMP	JA		
23AU99	R	006	-	-	15324946 - RELEASED	990005	HGH	CMP	JA		
13DE00	R	007	-	-	ALL ACTIVE PARTS - 27.85 +0.15/-0.3 WAS 27.85 Ø0.15, 18.05 +0.15/-0.3 WAS 18.05 Ø0.15 & 11.65 +0.15/-0.5 WAS 11.65 Ø0.15	205197	JGR	EOV	RC		
29JA01	R	008	-	-	15324946 - REV LEVEL UPDATED	206389	JGR	JGR	RC		
20FE04	R	09	-	-	15324945 AND 12146595 CONNECTORS UPDATED PER CDR #2558	252212	MJM	MJM	MR		
21FE06	R	10	-	-	12161107 - INACTIVE	277610	JTZ	FRG	MEF		
11AU06	R	11	-	-	15324681 - OBSOLETE	283318	JTZ	FRG	MEF		
27OC10	R	12	-	-	13835597 - RELEASED	412327	JEG	JAA	ERM		
26SE12	R	13	-	-	13835597 - UPDATED PART AVAILABILITY	419819	JAR	JAR	GPC		



OPTIONAL MOUNTING HOLE

PREFERRED MOUNTING HOLE



- NOTES
- UNLESS OTHERWISE SPECIFIED AND/OR INDICATED:
DIMENSIONS ARE TO FACE OF VIEW SHOWN AND AUTOMATICALLY ROUNDED BY COMPUTER FOR INSPECTION (SEE MATH MODEL FOR PRECISE DIMENSIONS). FOR ALL OTHER DIMENSIONS NOT SHOWN BUT REQUIRED FOR TOOL BUILD, SEE MATH MODEL FOR PRECISE TOOL PATH DATA.
 - THIS PART IS NOT CONTROLLED FOR AUTOMATIC FEEDING.
 - SEALING CODE 1 - DESIGN HAS LIMITED SEALING CAPABILITY.
 - FOR APPLICATION DATA SEE THE INDIVIDUAL APPLICATION DRAWINGS.

- PROCESS NOTES
- ADD ONE LINE OF GLUE PM 3537-002 (LOCTITE 414) TO EACH LOCATION BETWEEN SEAL AND LAMP SOCKET.
 - OPTIONAL GLUE (S):PM3543-001 (LOCTITE 416).
 - REFERENCE VPS# B-58: W2 LAMP SOCKET:SEAL ADHESION.

13835597	01	AA	13835596	12146398	-
15324946	03	-	15324945	12146398	-
15324681	01	AC	15324680	12146398	-
12161107	01	AA	12146595	12146398	1,2,3
12110053	011	-	12146595	12146398	-
PART NO	REV	N/P	LAMP SOCKET NUMBER	COMPRESSION SEAL	PROCESS NOTES

DIMENSIONAL RANGE (MM)		CHART E1	
FROM	TO	>20	>300
>0	>20	>30	>100
>20	>30	>70	>150
>30	>70	>100	>200
>70	>100	>150	>250
>100	>150	>200	>300
>150	>200	>250	>400

TOLERANCE UNLESS OTHERWISE SPECIFIED

±0.15	±0.2	±0.3	±0.4	±0.5	±0.6	±0.8	±1	±1.2
-------	------	------	------	------	------	------	----	------

ANGULAR TOLERANCE ±2°

LINE DRAWN THROUGH A PART NUMBER INDICATES THAT PHYSICAL PARTS ARE NOT AVAILABLE FOR ORDERING.

PART NUMBERS THAT DO NOT HAVE A LINE PRESENT INDICATE THAT PHYSICAL PARTS ARE AVAILABLE FOR ORDERING.

CONTACT DELPHI SALES TO ASSURE AVAILABILITY OF PARTS.

DWG TYPE: PART DRAWING

STYLE: D

VOLUME (C/P): D

DISTR CODE: D

UNLESS OTHERWISE SPECIFIED THIS DOCUMENT IS IN ACCORDANCE WITH ASME Y14.5M-1994 AS MODIFIED BY THE GM GLOBAL DIMENSIONS AND TOLERANCING ADDENDUM-2001. SEPARATE PATTERNS OF FEATURES MAY BE GAGED SEPARATELY REBARLESS OF DATUM REFERENCES.

ALL DIMENSIONS ARE IN MILLIMETERS

REFERENCE:

THIRD ANGLE PROJECTION

DO NOT SCALE

USE MATH DATA

NX

DELPHI

DELPHI PACKARD ELECTRICAL/ELECTRONIC ARCHITECTURE
WARREN, OH
COPYRIGHT 1999 DELPHI CORPORATION AND/OR ITS AFFILIATES. ALL RIGHTS RESERVED.
REVISED 2012

THIS DRAWING IS THE PROPERTY OF DELPHI CORPORATION. THE REPRODUCTION, DISTRIBUTION AND UTILIZATION OF THIS DOCUMENT OR ITS RELATED CAD MATH DATA, AS WELL AS COMMUNICATION OF ANY CONTENT TO OTHERS, WITHOUT EXPRESS AUTHORIZATION IS PROHIBITED.

DR	DATE
APVD1 H. GAMA	23AU99
APVD2 C. MIRANDA	23AU99
APVD3 J. ALVAREZ	23AU99
APVD4	
APVD5	

SUBSTANCES OF CONCERN AND RECYCLED CONTENT PER DELPHI 10949001

MATERIAL SEE DWG

DRAWING NAME: TAXI ASM CONN F LP SOC WEDGE SLD W2

DRAWING NUMBER: 15324684

SIZE	SCALE	FRAME NO	SHEET NO	STG	REV	N/P
A1	2:1	1 OF 1	1 OF 1	R	13	-