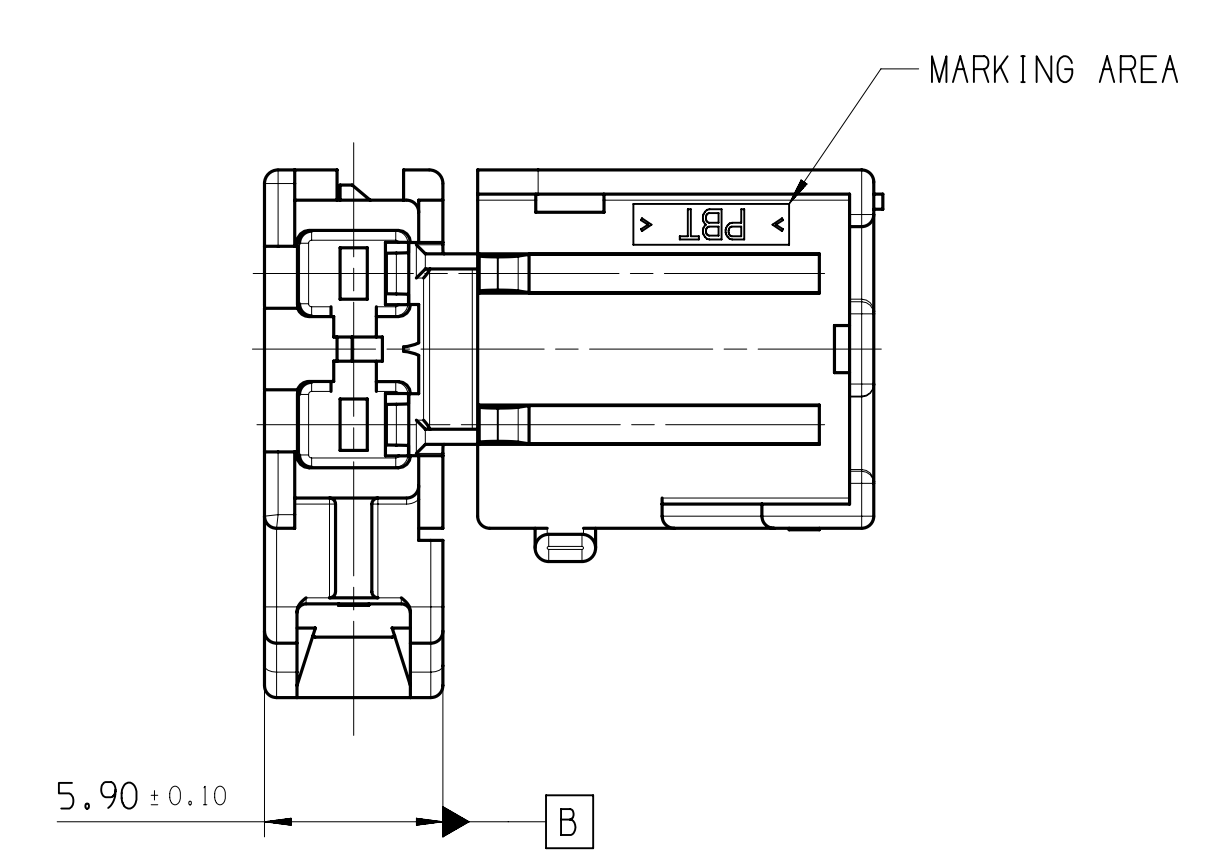
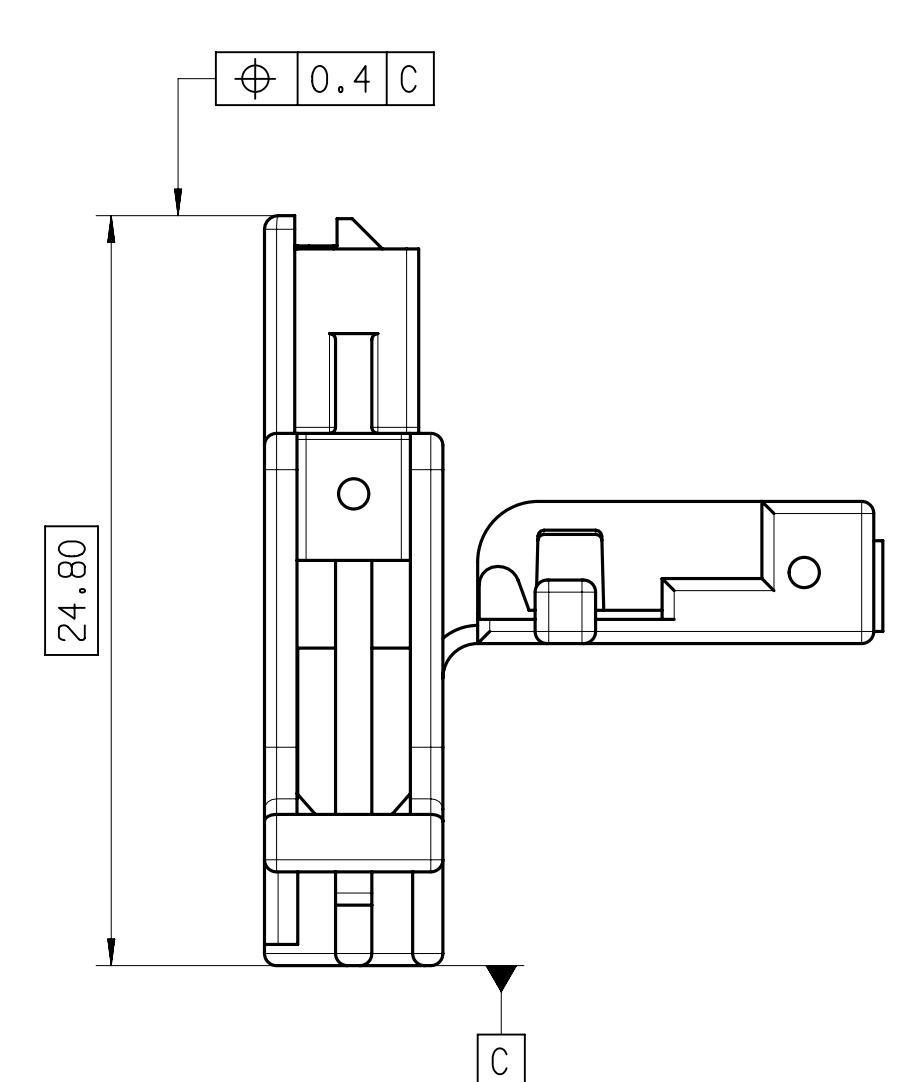
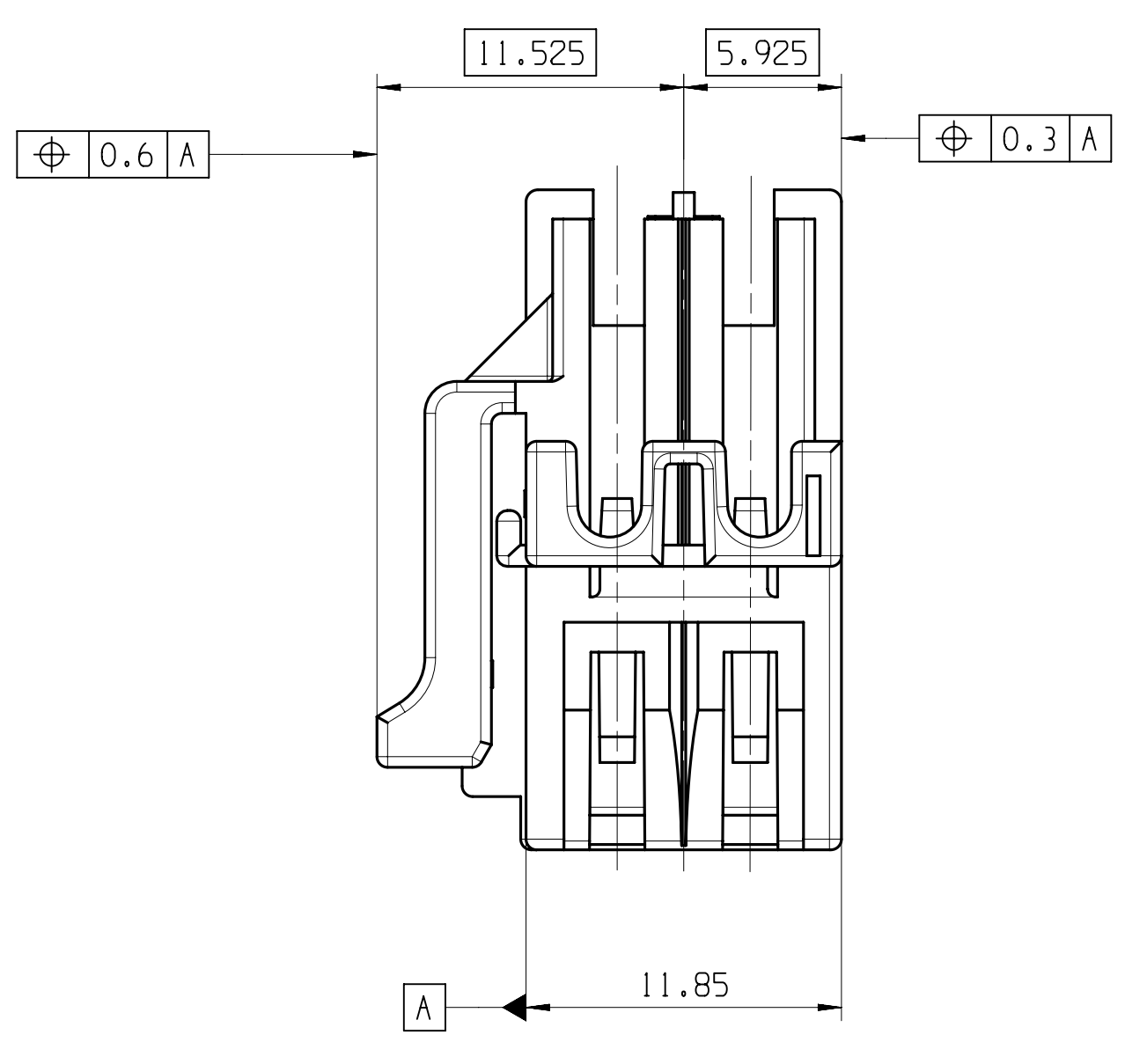
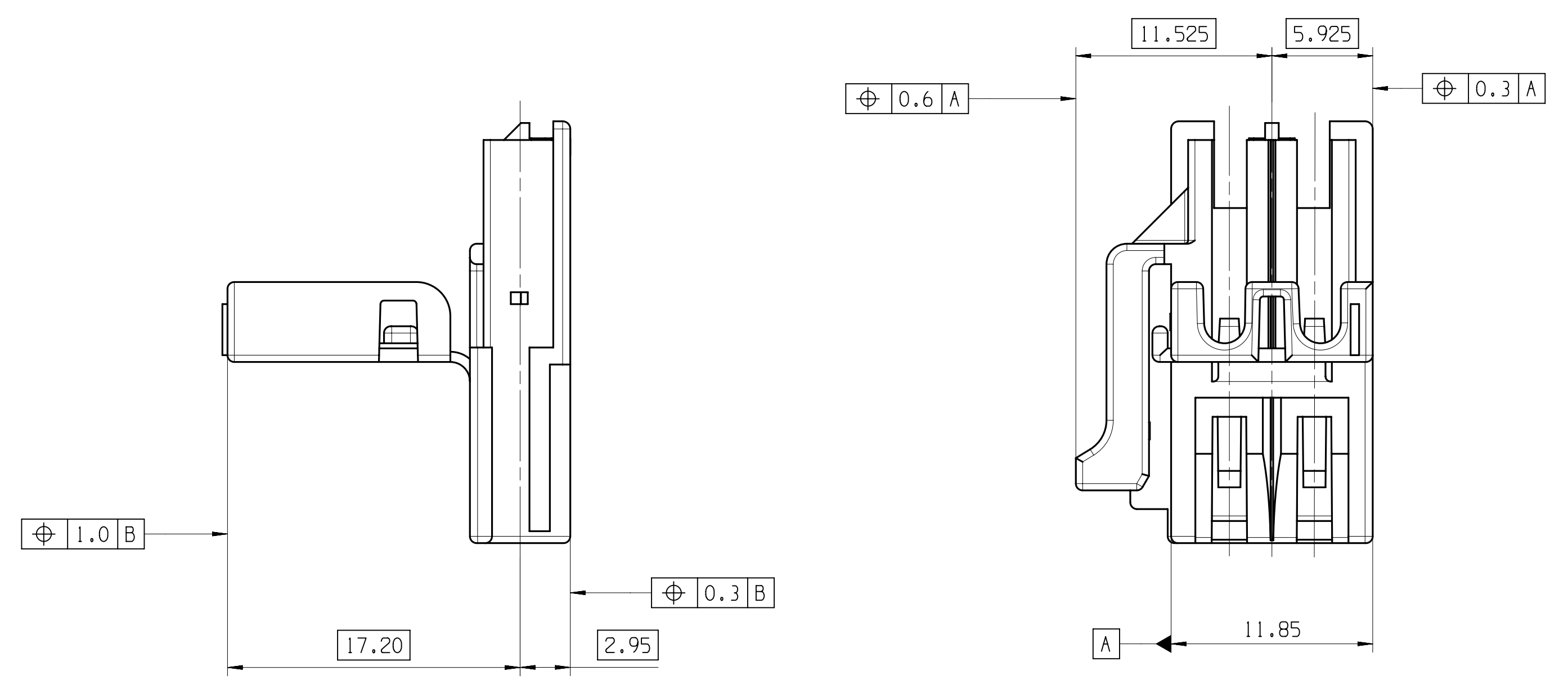
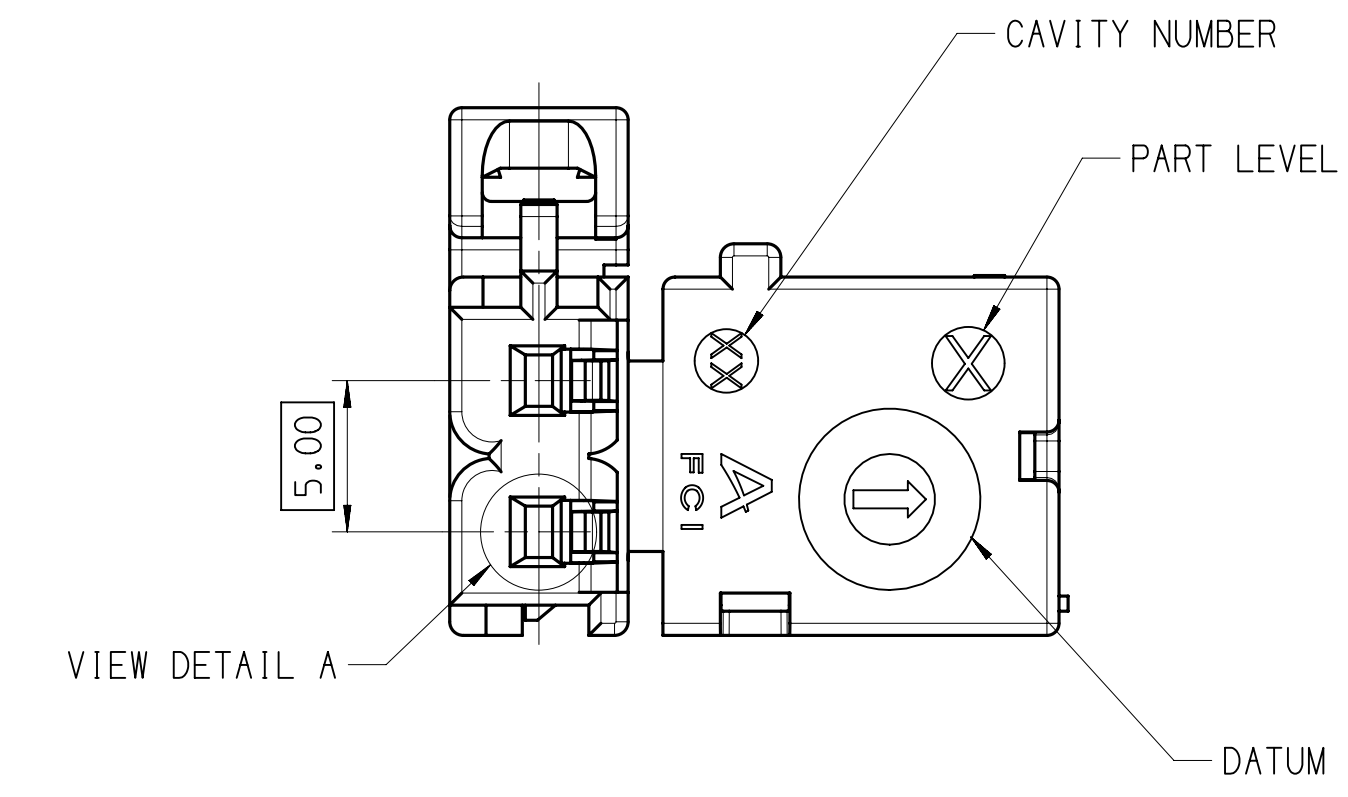
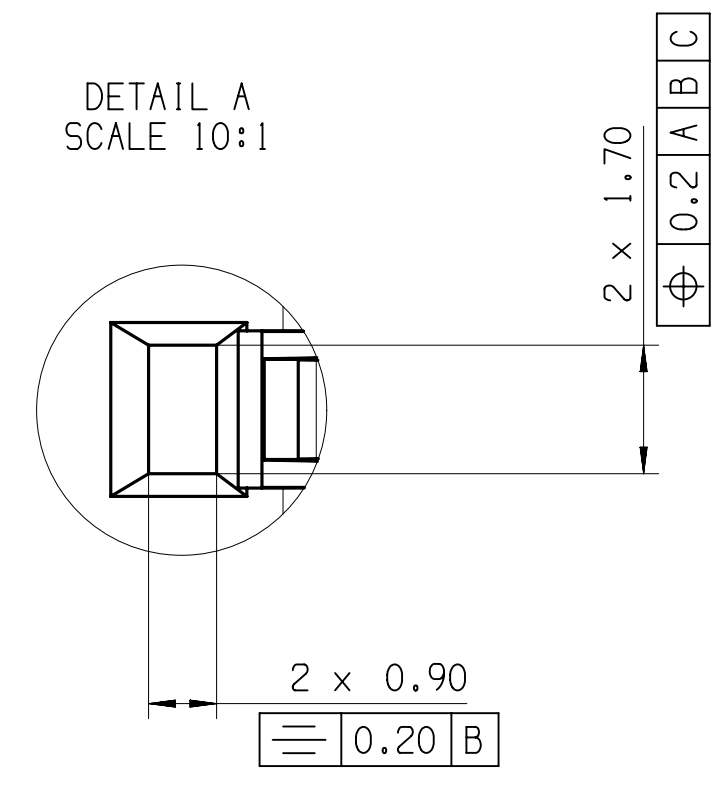


NOTE	SPECIFICATIONS
1	FEMALE CONNECTOR ACCORDING TO APTIV SPECIFICATIONS: 10007
2	FEMALE CONNECTOR ACCORDING TO: -TEMPERATURE CLASS T1 -ENGINE VIBRATOR CLASS V1 -SEALING CLASS 0
3	USER'S MANUAL: PU003
4	DELIVERY CONNECTOR WEIGHT : SEE CHART
5	NO WAFER HINGE OR WAFER HINGE BROKEN ALLOWED
6	VISUAL DEFECTS ON NO FUNCTIONAL AREAS ALLOWED



ASSOCIATED PARTS					
CLIPS FEMALE TERMINALS		RANGE 0	NOMIAL WIRE Ø	RANGE 1	NOMINAL WIRE Ø
1.5 SICMA 2	GOLD PLATED	CUSTOMER REF. MVL REF. APTIV REF.		8200 091 425 PC211CC251230 211CC251230 10738192	1.34 - 1.83
1.5 SICMA 3	GOLD PLATED	CUSTOMER REF. MVL REF. APTIV REF.		8200 337 226 PC211CC25XXXX 211CC251460 10847225	1.30 - 2.10
DESCRIPTION		MVL PART NUMBER		REFERENCE APTIV P/N	
BLACK MALE CONNECTOR WITHOUT SHUNT		211 PL 02 2S 0 048		33500318	
BROWN MALE CONNECTOR		211 PL 02 2S 1 010		10763101	
GREEN MALE CONNECTOR		211 PL 02 2S 5 010		33500319	
BLUE MALE CONNECTOR		211 PL 02 2S 6 010		10763106	
WHITE MALE CONNECTOR		211 PL 02 2S 9 010		10811361	
2 WAY FOOTPRINT		211 FT 0106			

DWS STATUS				REVISION HISTORY				AUTH	DR	APV01	APV02
DATE	BY	REV	CHK	ZONE	INITIAL	RELEASE					
29JN22	R	01								K.GOW	J.MO

BLACK	BROWN	GREEN	BLUE	WHITE	CODING BOTTOM VIEW
211 PC 02 2S 0 010	211 PC 02 2S 1 010	211 PC 02 2S 5 010	211 PC 02 2S 6 010	211 PC 02 2S 9 010	MVL P/N
33500298	15342420	10738101	10738111	10779294	APTIV PART NUMBER
01	01	01	01	01	APTIV PART REVISION

DESIGNATION	MVL P/N	APTIV PART NUMBER	RAW MATERIAL	COLOR	CONTACT FEMALE TERMINAL	APTIV PART NUMBER	TYPE	RANGE	PLATED	RAW MATERIAL
FEMALE CONNECTOR	211 PC 02 2S 9 010	10779294		WHITE						
	211 PC 02 2S 6 010	10738111		BLUE						
	211 PC 02 2S 5 010	10738101	NO FILLED PBT	GREEN	211 CC 2S 1230	10738192	1.5 x 0.8	1	Au	Cu Mg I
	211 PC 02 2S 1 010	15342420		BROWN						
	211 PC 02 2S 0 010	33500298		BLACK	211 CC 2S 1160	10740374			PRE-TINNED	Cu Mg I or Cu Fe 2P

DIMENSIONAL RANGE (MM)	TOLERANCE UNLESS OTHERWISE SPECIFIED
FROM > 0 TO > 20	±0.15
> 20 TO > 30	±0.2
> 30 TO > 40	±0.3
> 40 TO > 50	±0.4
> 50 TO > 60	±0.5
> 60 TO > 80	±0.6
> 80 TO > 100	±0.8
> 100 TO > 150	±1.0
> 150 TO > 200	±1.2
> 200 TO > 250	±1.5
> 250 TO > 300	±2.0
> 300 TO > 400	±2.5

DWS TYPE: CUSTOMER PART DRAWING
 REF: 1.6
 VOLUME (CM):
 ROUTING:

GENERAL TOLERANCES ACCORDING TO: SEE CHART
 GD&T ACCORDING TO: ISO 1101

REFERENCE:

FIRST ANGLE PROJECTION

DO NOT SCALE
 USE MATH DATA

APTIV
 CONNECTION SYSTEMS
 Chennai, India
 COPYRIGHT 2022 APTIV. ALL RIGHTS RESERVED.
 THIS DRAWING IS THE PROPERTY OF APTIV AND CONTAINS APTIV CONFIDENTIAL INFORMATION. THE REPRODUCTION, DISTRIBUTION AND UTILIZATION OF THIS DOCUMENT OR ITS RELATED CAD DATA SHALL AS COMMUNICATION OF ANY CONTENT TO OTHERS, WITHOUT EXPRESS AUTHORIZATION, IS PROHIBITED.

DR	DATE
K. GOWTHAM	29_JN22
J. MOINEAU	29_JN22
J. MOINEAU	29_JN22
APV03	
APV04	
APV05	

MATERIAL SUBSTANCES OF CONCERN AND RECYCLED CONTENT PER APTIV (0949001)

DRAWING NAME: 2 WAY FEMALE HOUSING
 DRAWING NUMBER: 10857564
 SIZE: A0 SCALE: 4:1 FRAME NO: 1 OF 1 SHEET NO: 1 OF 1 DATE: 29_JN22

