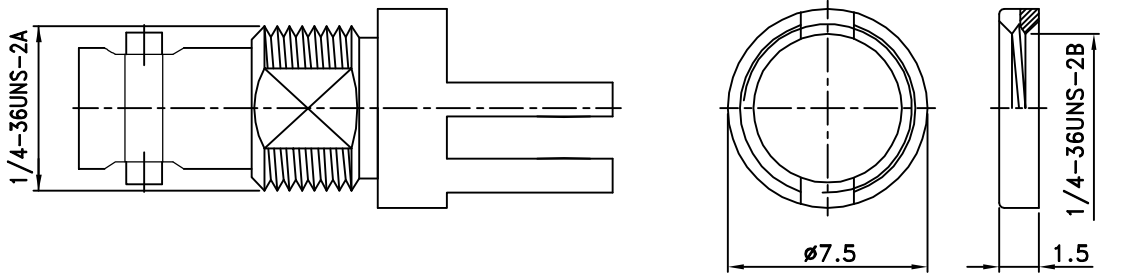
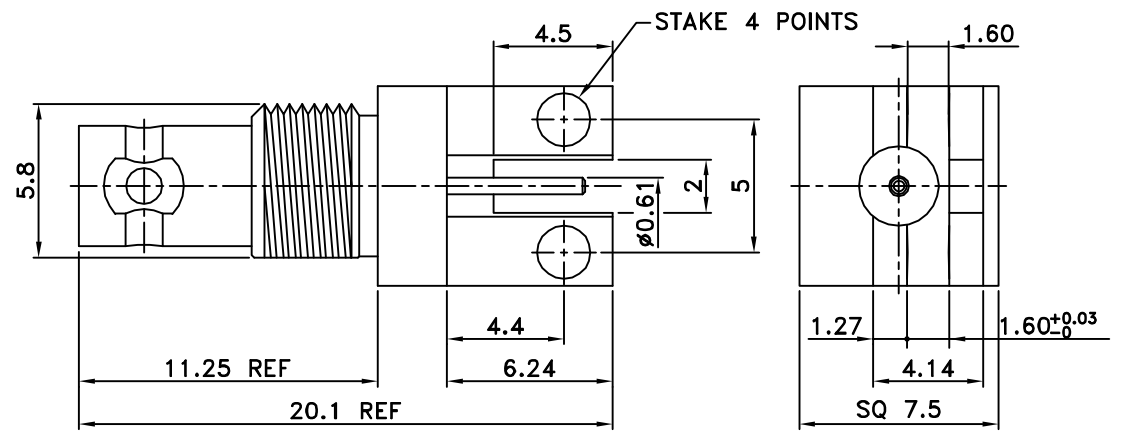
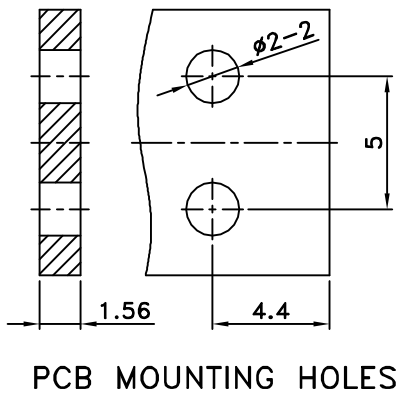
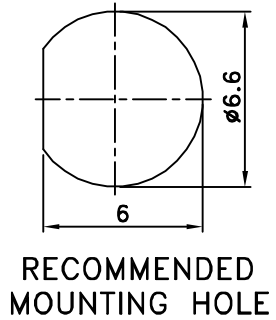


REV	DESCRIPTION\PER REQUEST	DRAWN	DATE



5	Nut	1	Brass	Gold
4	Dielectric	1	Teflon	None
3	Pin	1	Beryllium	Gold
2	Body	1	Brass	Gold
1	Body	1	Brass	Gold
<i>NO</i>	<i>Description</i>	<i>Q'ty</i>	<i>Material</i>	<i>Finish</i>

PART NO.	361EHD704	
APPROVED	DATE	08/14/12
CHECKED	DATE	08/14/12
DRAWN	DATE	08/14/12
	Wen	

* MAJOR DIMENSION		
UNLESS OTHERWISE NOTED TOLERANCES		
0.5-6	=	±0.2
6-30	=	±0.4
30-120	=	±0.6
120-315	=	±1.0
ANGLES=±1°		
SCALE	4/1	UNIT mm

Bomar Interconnect Products, Inc	
TITLE	HIGH DENSITY BNC E-SNAP JACK
DRAWING NO.	ASHDBNC-41002-2-75-TGG
REV	C
FILE NO.	W:\?-\AS\ASHDBNC\ASHDBNC-41002-2-75-TGG Bomar->20120814