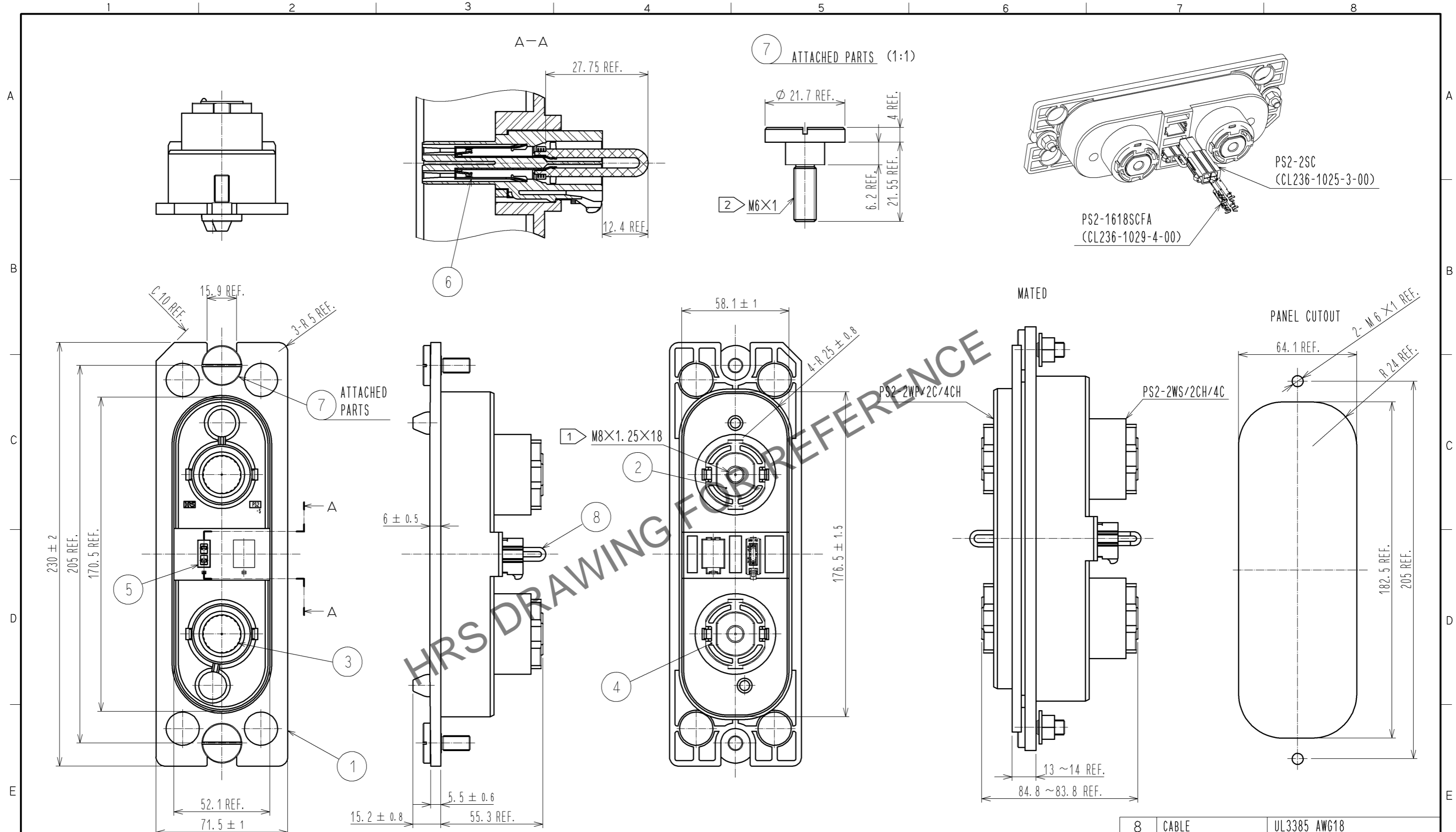


Aug.1.2023 Copyright 2023 HIROSE ELECTRIC CO., LTD. All Rights Reserved.
In case of consideration for using Automotive equipment / device which demand high reliability, kindly contact our sales window correspondents.



NOTE 1 THE RECOMMENDED TIGHTENING TORQUE OF REF NO. 2 TO BE 13 N · m.
 2 THE RECOMMENDED TIGHTENING TORQUE OF REF NO. 7 TO BE 6 TO 7 N · m.
 3. APPLICABLE CONNECTOR SHOWN IN THE TABLE BELOW.

PART No.	CODE No.
PS2-2WP/2C/4CH	236-1022-5-00

4	PBT	BLACK UL94V-0	8	CABLE	UL3385 AWG18
3	COPPER ALLOY	SILVER PLATING:3 μm MIN.	7	STAINLESS STEEL	
2	BRASS	SILVER PLATING:3 μm MIN.	6	COPPER ALLOY	CONTACT:GOLD 0.2 μm MIN. BARREL:TIN 1 μm MIN. UNDER:NICKEL 0.3 μm MIN.
1	PBT	BLACK UL94V-0	5	PBT	BLACK UL94V-0
NO.	MATERIAL	FINISH . REMARKS	NO.	MATERIAL	FINISH . REMARKS

UNITS mm		SCALE 1 : 2	COUNT 	DESCRIPTION OF REVISIONS	DESIGNED	CHECKED	DATE
HRS HIROSE ELECTRIC CO., LTD.		APPROVED : NM. NISHIMATSU 13.06.04	CHECKED : NM. NISHIMATSU 13.06.04	DESIGNED : MO. SHIMOYAMA 13.06.04	DRAWN : MO. SHIMOYAMA 13.06.04	DRAWING NO. EDC3-127467-00	
						PART NO. PS2-2WS/2CH/4C	
						CODE NO. CL236-1024-0-00	