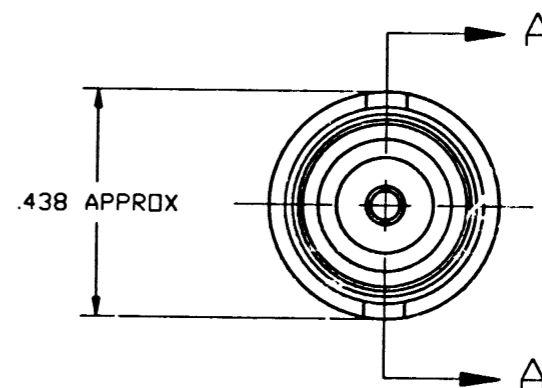
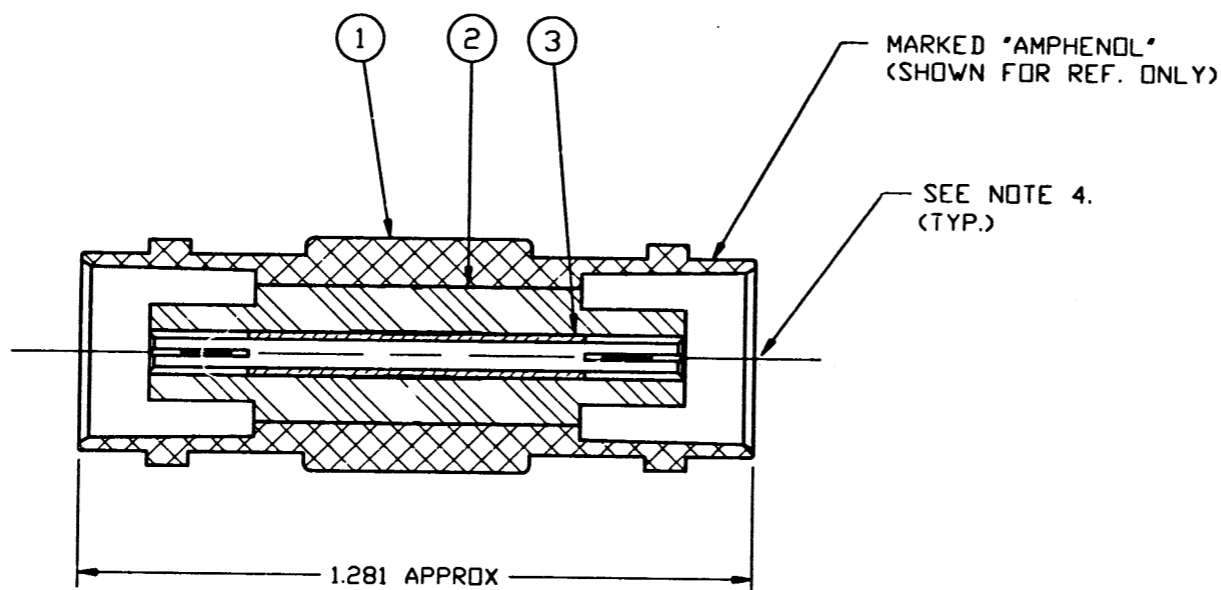


NOTES:

1. PLATING MUST CONFORM TO AMPHENOL SPEC. 349-50560. CONTACT IS GOLD PLATED, ALL OTHER METAL PARTS ARE NICKEL PLATED (REF).
2. ITEM 3 TO BE PRESSED INTO ITEM 2.
3. PACKAGE IN BAG 999-226.
4. MUST CONFORM TO AMPHENOL SPEC. 349-50551, SEC. 301.
5. INSULATOR MUST WITHSTAND AN 8 LB. PUSH-OUT FORCE FROM BODY.
6. DO NOT SCALE THIS DRAWING.
7. UNLESS OTHERWISE SPECIFIED, ALL DIMENSIONS ARE AFTER PLATING.

31-219-RFX1		REVISIONS			
DRAWING NO.	REV	DESCRIPTION	DATE	ECC	APPR
THIRD ANGLE PROJ.	A	OFFICIAL ENG. RELEASE TO MFG.	5/3/91	38063	DR
	H	REDRAWN NEW FORMAT; ADD NOTES 6 & 7; ITEM 1 WAS 31-12418-ND	10/4/96	41535	CPM/DR
	J	NOTE 3 BAG 999-226 WAS 999-300.	11/18/96	41644	CPM/DR
	K	ITEM 1 WAS 31-12418-NV	7/15/97	41860	CPM/DR



SECTION A-A

PART NUMBER	QTY	ITEM	DESCRIPTION	FINISH
31-10761-GI	1	3	CONTACT	NOTE 1
31-12417	1	2	INSULATOR	
31-12418-ND	1	1	BODY	NOTE 1

UNLESS OTHERWISE SPECIFIED, DIMENSIONS ARE IN INCHES AND TOLERANCES ARE:
 2 PLACE DECIMAL ±.015 (0.381 mm) 3 PLACE DECIMAL ±.005 (0.127 mm) ANGLES ± 1°

NOTICE - These drawings, specifications, or other data (1) are, and remain the property of Amphenol Corp. (2) must be returned upon request; and (3) are confidential and not to be disclosed to any person other than those to whom they are given by Amphenol Corp. The furnishing of these drawings, specifications, or other data by Amphenol Corp., or to any other person to anyone for any purpose is not to be regarded by implication or otherwise in any manner licensing, granting rights or permitting such holder or any other person to manufacture, use or sell any product, process or design, patented or otherwise, that may in any way be related to or disclosed by said drawings, specifications, or other data.

MATERIAL	
REFERENCE	EAR 962370-0

DRAWN	YSC	DATE	4/9/91
ENGINEER	D. ROYCE	DATE	5/1/91
APPROVED	D. ROYCE	DATE	5/1/91
CAD FILE	H:\DEPT611\BNC\031\ASSY\219RFX1		

TITLE	BNC ADAPTER UG-914/U		
CODE ID	74868	DWG SIZE	B
DRAWING NO.	31-219-RFX1		

Amphenol	
Amphenol Corporation RF/Microwave Operations Danbury, Conn. U.S.A. 06810	
SCALE: 3:1	SHEET OF
REV	K