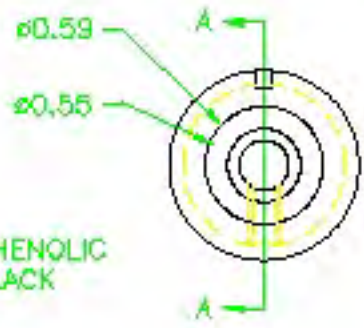
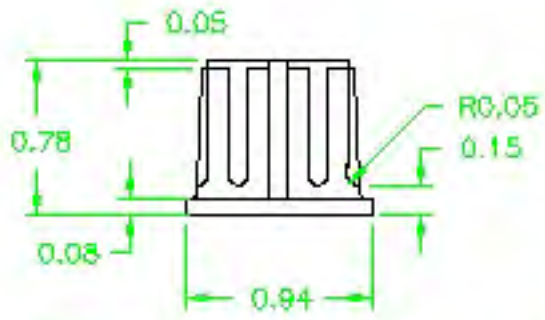
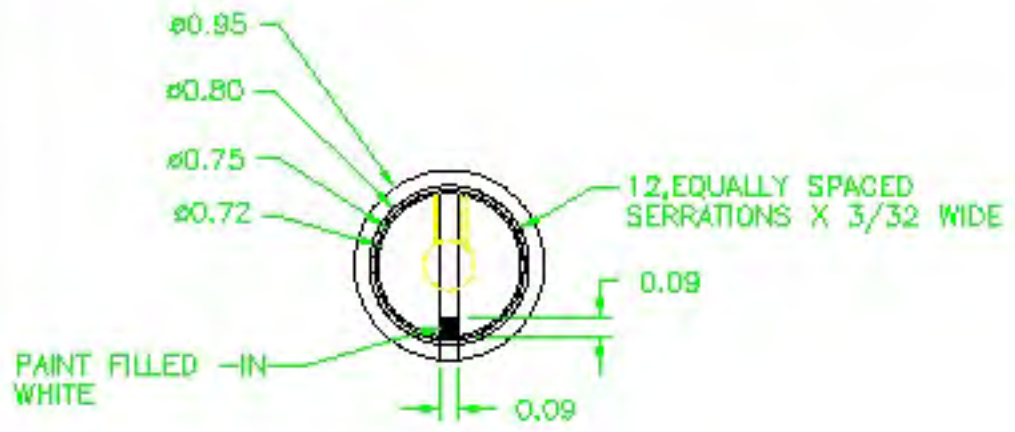
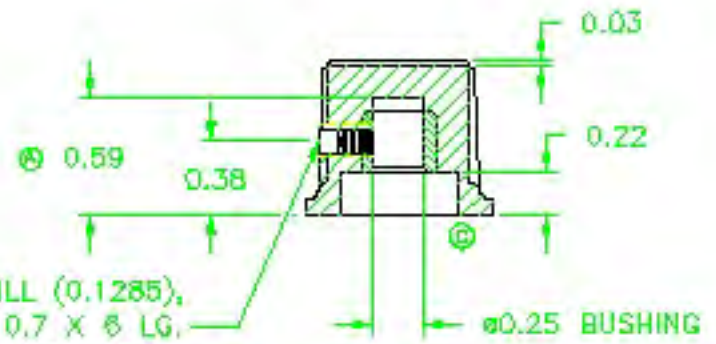


THIS DRAWING IS THE PROPERTY OF DAVIES MOLDING COMPANY, IS SUBMITTED SOLELY AS A DESIGN OR ENGINEERING PROJECT. WE ACCEPT NO RESPONSIBILITY WHATSOEVER FOR THE PRACTICAL APPLICATION OF THE PRECEDING TO THIS DESIGN.



MATERIAL: PHENOLIC  
COLOR: BLACK

SECTION A-A



① USE #30 DRILL (0.1285),  
# M4 X 0.7 TAP, M4 X 0.7 X 6 LG.  
(1) SLOTTED TYPE SET SCREW,

②

TOLERANCES: UNLESS OTHERWISE SPECIFIED	DO NOT SCALE DRAWING	C	REMOVED CBORE	JAM	1/24/03
		-	REMOVED ALTERNATE	JAM	8/8/01
DECIMALS: X.XXX ± .005 X.XX ± .015	MM: X.XX ± 0.15MM X.X ± 0.4MM	B	ALTERNATE WAS METRIC	JAM	8/8/01
FRACTIONS ± 1/64	ANG. ± 1'	A	Added 19/32 Dim.	RP	7/8/97
CHANGES					