

NICHICON Aluminum Electrolytic Capacitors



This page of product is RoHS compliant.

UVZ SERIES 105°C CAPACITORS

Specifications:

- Operating temperature range: -55°C ~ +105°C (6.3V ~ 100V), -40°C ~ +105°C (60V ~ 400V), -25°C ~ +105°C (450V)
- Voltage range: 6.3V ~ 450V
- Capacitance range: 0.1µF ~ 3300µF
- Capacitance tolerance: ±20% at 120Hz, 20°C
- Small case sizes as VR series, but operating over wide temperature range of -55°C ~ 105°C

Application note:

- A higher voltage capacitor may be used in a lower voltage application

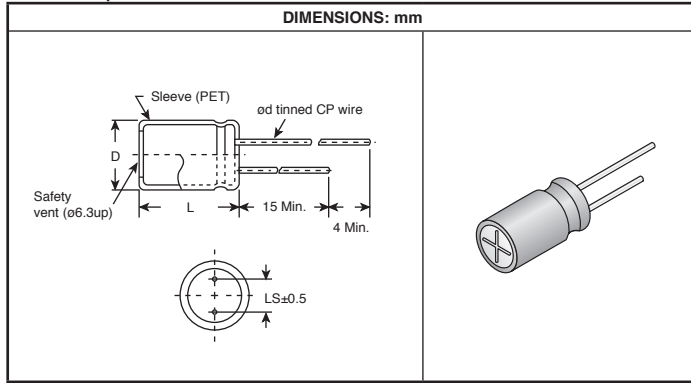


LEAD-FREE

Endurance:

- 1000 hours @ 105°C

Leakage Current:	
6.3V ~ 100V	160V ~ 450V
After 1 minute application of rated voltage, leakage current is not more than 0.03CV or 4 (µA), whichever is greater	After 1 minute application of rated voltage, CV ≤ 1000: I = 0.1CV + 40µA or less
After 2 minutes application of rated voltage, leakage current is not more than 0.01CV or 3 (µA), whichever is greater	After 1 minutes application of rated voltage, CV > 1000: I = 0.04CV + 100µA or less



Aluminum Caps, Leaded Nichicon

For quantities greater than listed, call for quote.

MOUSER STOCK NO.	Nichicon Part No.	Value (µF)	Case Size D x L (mm) (Max.)	LS (mm)	Price Each		
					1	100	1000
6.3 Volt							
647-UVZ0J101MDD	UVZ0J101MDD	100	5 x 11	2.0	.19	.094	.057
647-UVZ0J221MDD	UVZ0J221MDD	220	5 x 11	2.0	.19	.094	.057
647-UVZ0J331MED	UVZ0J331MED	330	6.3 x 11	2.5	.18	.10	.062
647-UVZ0J471MED	UVZ0J471MED	470	6.3 x 11	2.5	.20	.112	.069
647-UVZ0J102MPD	UVZ0J102MPD	1000	8 x 11.5	3.5	.25	.147	.094
647-UVZ0J222MPD	UVZ0J222MPD	2200	10 x 20	5.0	.41	.27	.17
647-UVZ0J332MPD	UVZ0J332MPD	3300	10 x 20	5.0	.43	.279	.176
647-UVZ0J472MHD	UVZ0J472MHD	4700	12.5 x 20	5.0	.52	.357	.238
647-UVZ0J103MHD	UVZ0J103MHD	10000	16 x 25	7.5	1.10	.736	.435
647-UVZ0J223MHD	UVZ0J223MHD	22000	18 x 40	7.5	2.21	1.17	.909
10 Volt							
647-UVZ1A101MDD	UVZ1A101MDD	100	5 x 11	2.0	.19	.094	.057
647-UVZ1A221MED	UVZ1A221MED	220	6.3 x 11	2.5	.18	.10	.062
647-UVZ1A331MED	UVZ1A331MED	330	6.3 x 11	2.5	.20	.112	.069
647-UVZ1A471MED	UVZ1A471MED	470	6.3 x 11	2.5	.20	.112	.069
647-UVZ1A102MPD	UVZ1A102MPD	1000	10 x 12.5	5.0	.33	.197	.125
647-UVZ1A222MPD	UVZ1A222MPD	2200	10 x 20	5.0	.59	.204	.173
647-UVZ1A332MHD	UVZ1A332MHD	3300	12.5 x 20	5.0	.54	.368	.245
647-UVZ1A472MHD	UVZ1A472MHD	4700	12.5 x 25	5.0	.85	.631	.421
647-UVZ1A682MHD	UVZ1A682MHD	6800	16 x 25	7.5	.96	.716	.477
647-UVZ1A103MHD	UVZ1A103MHD	10000	16 x 35.5	7.5	1.42	1.07	.708
647-UVZ1A153MHD	UVZ1A153MHD	15000	18 x 35.5	7.5	2.17	1.66	1.11
16 Volt							
647-UVZ1C470MDD	UVZ1C470MDD	47	5 x 11	2.0	.19	.094	.057
647-UVZ1C101MDD	UVZ1C101MDD	100	5 x 11	2.0	.19	.094	.057
647-UVZ1C221MED	UVZ1C221MED	220	6.3 x 11	2.5	.18	.10	.062
647-UVZ1C331MPD	UVZ1C331MPD	330	8 x 11.5	3.5	.23	.138	.087
647-UVZ1C471MPD	UVZ1C471MPD	470	8 x 11.5	3.5	.24	.141	.089
647-UVZ1C102MPD	UVZ1C102MPD	1000	10 x 16	5.0	.36	.233	.147
647-UVZ1C222MHD	UVZ1C222MHD	2200	12.5 x 20	5.0	.50	.345	.23
647-UVZ1C332MHD	UVZ1C332MHD	3300	12.5 x 25	5.0	.80	.594	.396
647-UVZ1C472MHD	UVZ1C472MHD	4700	16 x 25	7.5	.81	.602	.401
647-UVZ1C682MHD	UVZ1C682MHD	6800	16 x 35.5	7.5	1.42	1.07	.708
647-UVZ1C103MHD	UVZ1C103MHD	10000	18 x 35.5	7.5	1.48	1.13	.752
25 Volt							
647-UVZ1E470MDD	UVZ1E470MDD	47	5 x 11	2.0	.19	.094	.057
647-UVZ1E101MED	UVZ1E101MED	100	6.3 x 11	2.5	.18	.10	.062
647-UVZ1E221MPD	UVZ1E221MPD	220	8 x 11.5	3.5	.21	.119	.074
647-UVZ1E331MPD	UVZ1E331MPD	330	10 x 12.5	5.0	.23	.138	.087
647-UVZ1E471MPD	UVZ1E471MPD	470	10 x 12.5	5.0	.33	.194	.123
647-UVZ1E102MPD	UVZ1E102MPD	1000	10 x 20	5.0	.36	.237	.149
647-UVZ1E222MHD	UVZ1E222MHD	2200	12.5 x 25	5.0	.78	.561	.374
647-UVZ1E332MHD	UVZ1E332MHD	3300	16 x 25	7.5	.90	.673	.449
647-UVZ1E472MHD	UVZ1E472MHD	4700	16 x 31.5	7.5	1.42	1.07	.708
647-UVZ1E682MHD	UVZ1E682MHD	6800	18 x 35.5	7.5	1.75	1.34	.888
35 Volt							
647-UVZ1V330MDD	UVZ1V330MDD	33	5 x 11	2.0	.19	.094	.057
647-UVZ1V470MDD	UVZ1V470MDD	47	5 x 11	2.0	.19	.094	.057
647-UVZ1V101MED	UVZ1V101MED	100	6.3 x 11	2.5	.18	.10	.062
647-UVZ1V221MPD	UVZ1V221MPD	220	10 x 12.5	5.0	.25	.149	.095
647-UVZ1V331MPD	UVZ1V331MPD	330	10 x 12.5	5.0	.35	.208	.132
647-UVZ1V471MPD	UVZ1V471MPD	470	10 x 16	5.0	.34	.223	.141
647-UVZ1V102MHD	UVZ1V102MHD	1000	12.5 x 20	5.0	.49	.336	.224
647-UVZ1V222MHD	UVZ1V222MHD	2200	16 x 25	7.5	.99	.738	.492
647-UVZ1V332MHD	UVZ1V332MHD	3300	16 x 35.5	7.5	1.00	.75	.50
647-UVZ1V472MHD	UVZ1V472MHD	4700	18 x 35.5	7.5	1.47	1.12	.745
50 Volt							
647-UVZ1H0R1MDD	UVZ1H0R1MDD	0.1	5 x 11	2.0	.19	.094	.057
647-UVZ1HR22MDD	UVZ1HR22MDD	0.22	5 x 11	2.0	.19	.094	.057
647-UVZ1HR33MDD	UVZ1HR33MDD	0.33	5 x 11	2.0	.19	.094	.057
647-UVZ1HR47MDD	UVZ1HR47MDD	0.47	5 x 11	2.0	.19	.094	.057
647-UVZ1H010MDD	UVZ1H010MDD	1.0	5 x 11	2.0	.19	.094	.057
647-UVZ1H2R2MDD	UVZ1H2R2MDD	2.2	5 x 11	2.0	.19	.094	.057
647-UVZ1H3R3MDD	UVZ1H3R3MDD	3.3	5 x 11	2.0	.19	.094	.057
647-UVZ1H4R7MDD	UVZ1H4R7MDD	4.7	5 x 11	2.0	.18	.094	.057
647-UVZ1H100MDD	UVZ1H100MDD	10	5 x 11	2.0	.19	.094	.057
647-UVZ1H220MDD	UVZ1H220MDD	22	5 x 11	2.0	.19	.094	.057
647-UVZ1H330MDD	UVZ1H330MDD	33	5 x 11	2.0	.19	.094	.057
647-UVZ1H470MED	UVZ1H470MED	47	6.3 x 11	2.5	.18	.10	.062
647-UVZ1H101MPD	UVZ1H101MPD	100	8 x 11.5	3.5	.23	.129	.08
647-UVZ1H221MPD	UVZ1H221MPD	220	10 x 12.5	5.0	.33	.198	.126

For quantities greater than listed, call for quote.

MOUSER STOCK NO.	Nichicon Part No.	Value (µF)	Case Size D x L (mm) (Max.)	LS (mm)	Price Each		
					1	100	1000
50 Volt (Cont.)							
647-UVZ1H331MPD	UVZ1H331MPD	330	10 x 16	5.0	.35	.225	.142
647-UVZ1H471MHD	UVZ1H471MHD	470	12.5 x 20	5.0	.47	.318	.212
647-UVZ1H102MHD	UVZ1H102MHD	1000	12.5 x 25	5.0	.69	.488	.326
647-UVZ1H222MHD	UVZ1H222MHD	2200	16 x 35.5	7.5	1.33	.992	.661
647-UVZ1H332MHD	UVZ1H332MHD	3300	18 x 35.5	7.5	1.69	1.29	.86
63 Volt							
647-UVZ1J100MDD	UVZ1J100MDD	10	5 x 11	2.0	.19	.094	.057
647-UVZ1J220MDD	UVZ1J220MDD	22	5 x 11	2.0	.19	.094	.057
647-UVZ1J330MED	UVZ1J330MED	33	6.3 x 11	2.5	.18	.10	.062
647-UVZ1J470MED	UVZ1J470MED	47	6.3 x 11	2.5	.20	.112	.069
647-UVZ1J101MPD	UVZ1J101MPD	100	10 x 12.5	5.0	.23	.135	.085
647-UVZ1J221MPD	UVZ1J221MPD	220	10 x 16	5.0	.35	.225	.142
647-UVZ1J331MPD	UVZ1J331MPD	330	10 x 20	5.0	.42	.277	.175
647-UVZ1J471MHD	UVZ1J471MHD	470	12.5 x 20	5.0	.54	.364	.243
647-UVZ1J102MHD	UVZ1J102MHD	1000	16 x 25	7.5	.90	.672	.448
647-UVZ1J222MHD	UVZ1J222MHD	2200	18 x 35.5	7.5	2.00	1.53	1.02
100 Volt							
647-UVZ2AR47MDD	UVZ2AR47MDD	0.47	5 x 11	2.0	.19	.094	.057
647-UVZ2A010MDD	UVZ2A010MDD	1.0	5 x 11	2.0	.27	.076	.057
647-UVZ2A2R2MDD	UVZ2A2R2MDD	2.2	5 x 11	2.0	.19	.094	.057
647-UVZ2A3R3MDD	UVZ2A3R3MDD	3.3	5 x 11	2.0	.29	.065	.062
647-UVZ2A4R7MDD	UVZ2A4R7MDD	4.7	5 x 11	2.0	.19	.094	.057
647-UVZ2A100MED	UVZ2A100MED	10	6.3 x 11	2.5	.18	.10	.062
647-UVZ2A220MED	UVZ2A220MED	22	6.3 x 11	2.5	.19	.104	.064
647-UVZ2A330MPD	UVZ2A330MPD	33	8 x 11.5	3.5	.25	.148	.094
647-UVZ2A470MPD	UVZ2A470MPD	47	10 x 12.5	5.0	.33	.194	.123
647-UVZ2A101MPD	UVZ2A101MPD	100	10 x 20	5.0	.45	.291	.183
647-UVZ2A221MHD	UVZ2A221MHD	220	12.5 x 25	5.0	.69	.491	.328
647-UVZ2A331MHD	UVZ2A331MHD	330	12.5 x 25	5.0	1.02	.763	.509
647-UVZ2A471MHD	UVZ2A471MHD	470	16 x 25	7.5	.95	.712	.475
647-UVZ2A102MHD	UVZ2A102MHD	1000	18 x 40	7.5	2.18	1.67	1.11
160 Volt							
647-UVZ2C010MED	UVZ2C010MED	1.0	6.3 x 11	2.5	.18	.10	.062
647-UVZ2C2R2MED	UVZ2C2R2MED	2.2	6.3 x 11	2.5	.18	.10	.062
647-UVZ2C3R3MED	UVZ2C3R3MED	3.3	6.3 x 11	2.5	.19	.104	.064
647-UVZ2C4R7MED	UVZ2C4R7MED	4.7	6.3 x 11	2.5	.19	.104	.064
647-UVZ2C100MPD	UVZ2C100MPD	10	8 x 11.5	3.5	.25	.148	.094
647-UVZ2C220MPD	UVZ2C220MPD	22	10 x 16	5.0	.33	.215	.136
647-UVZ2C330MPD	UVZ2C330MPD	33	10 x 20	5.0	.45	.292	.184
647-UVZ2C470MHD	UVZ2C470MHD	47	12.5 x 20	5.0	.52	.342	.215
647-UVZ2C101MHD	UVZ2C101MHD	100	12.5 x 25	5.0	.66	.472	.315
647-UVZ2C221MHD	UVZ2C221MHD	220	16 x 35.5	7.5	1.20	.895	.597
647-UVZ2C331MHD	UVZ2C331MHD	330	18 x 40	7.5	1.47	1.12	.745
200 Volt							
647-UVZ2D010MED	UVZ2D010MED	1.0	6.3 x 11	2.5	.18	.10	