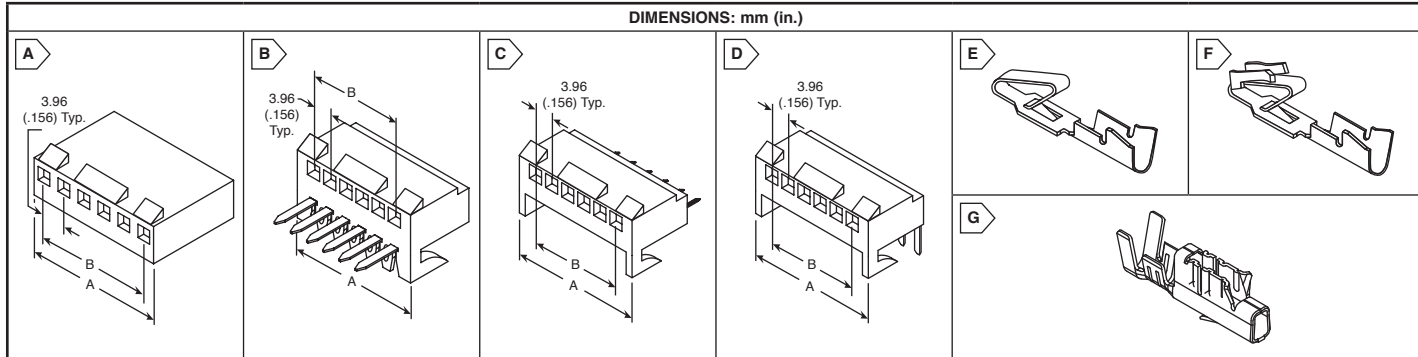


MOLEX KK® Series (.156")

molex
one company • a world of innovation

DIMENSIONS: mm (in.)



.156" CRIMP TERMINAL HOUSINGS

- Voltage: 250VAC Max.
- Temperature: 0°C to +75°C
- Current: Phosphor Bronze-7.0A Max.; Brass-5.0A Max.
- RoHS compliant per Molex documentation



RoHS Compliant

For quantities greater than listed, call for quote.

For quantities greater than listed, call for quote.

MOUSER STOCK NO.	Molex Part No.	Fig.	No. of Circuits	Dimensions: mm		Price Each			
				A	B	1	10	100	500
With Locking Ramp UL94V-2, Nylon									
538-09-50-3021	09-50-3021	A	2	7.92	3.96	.11	.079	.071	.068
538-09-50-3031	09-50-3031	A	3	11.79	7.92	.16	.113	.102	.093
538-09-50-3041	09-50-3041	A	4	15.75	11.89	.22	.165	.136	.106
538-09-50-3051	09-50-3051	A	5	19.71	15.85	.26	.203	.186	.169
538-09-50-3061	09-50-3061	A	6	23.67	19.81	.36	.265	.229	.182
538-09-50-3071	09-50-3071	A	7	27.64	23.77	.37	.273	.235	.187
538-09-50-3081	09-50-3081	A	8	31.60	27.74	.40	.325	.284	.223
538-09-50-3091	09-50-3091	A	9	35.56	31.70	.45	.363	.318	.25
538-09-50-3101	09-50-3101	A	10	39.52	35.66	.58	.467	.408	.321
538-09-50-3111	09-50-3111	A	11	43.48	39.62	.44	.353	.309	.243
538-09-50-3121	09-50-3121	A	12	47.45	43.59	.70	.56	.49	.385
Without Locking Ramp UL94V-2, Nylon									
538-09-50-7021	09-50-7021	A	2	7.92	3.96	.10	.068	.061	.058
538-09-50-7031	09-50-7031	A	3	11.79	7.92	.14	.102	.091	.088
538-09-50-7041	09-50-7041	A	4	15.75	11.89	.24	.179	.155	.123
538-09-50-7051	09-50-7051	A	5	19.71	15.85	.25	.187	.155	.12
538-09-50-7061	09-50-7061	A	6	23.67	19.81	.28	.204	.176	.14
538-09-50-7071	09-50-7071	A	7	27.64	23.77	.29	.225	.206	.187
538-09-50-7081	09-50-7081	A	8	31.60	27.74	.37	.273	.235	.187
538-09-50-7091	09-50-7091	A	9	35.56	31.70	.39	.318	.278	.218
538-09-50-7111	09-50-7111	A	11	43.48	39.62	.44	.353	.309	.243

MOUSER STOCK NO.	Molex Part No.	Fig.	No. of Circuits	Dimensions: mm		Price Each			
				A	B	1	10	100	500
With Locking Ramp and Polarizing Ribs UL94V-0, Polyester									
538-09-50-8023	09-50-8023	A	2	8.79	3.96	.17	.134	.11	.086
538-09-50-8033	09-50-8033	A	3	12.75	7.92	.20	.154	.127	.099
538-09-50-8043	09-50-8043	A	4	16.71	11.89	.27	.198	.171	.136
538-09-50-8053	09-50-8053	A	5	20.67	15.85	.34	.252	.217	.173
538-09-50-8063	09-50-8063	A	6	24.64	19.81	.40	.298	.257	.204
538-09-50-8073	09-50-8073	A	7	28.60	23.77	.37	.276	.238	.19
538-09-50-8083	09-50-8083	A	8	32.56	27.74	.63	.504	.441	.346
538-09-50-8093	09-50-8093	A	9	36.53	31.70	.45	.364	.319	.25
538-09-50-8103	09-50-8103	A	10	40.49	35.66	.52	.421	.368	.289
538-09-50-8113	09-50-8113	A	11	44.45	39.62	.73	.588	.515	.404
538-09-50-8123	09-50-8123	A	12	48.41	43.59	.68	.617	.537	.429
With Locking Ramp UL94V-0, Polyester									
538-09-50-8021	09-50-8021	A	2	8.79	3.96	.17	.118	.107	.097
538-09-50-8031	09-50-8031	A	3	12.75	7.92	.19	.144	.119	.093
538-09-50-8041	09-50-8041	A	4	16.71	11.89	.22	.165	.137	.106
538-09-50-8051	09-50-8051	A	5	20.67	15.85	.32	.233	.201	.16
538-09-50-8061	09-50-8061	A	6	24.64	19.81	.37	.276	.238	.189
538-09-50-8071	09-50-8071	A	7	28.60	23.77	.41	.333	.291	.229
538-09-50-8081	09-50-8081	A	8	32.56	27.74	.49	.398	.349	.274
538-09-50-8091	09-50-8091	A	9	36.53	31.70	.45	.331	.285	.227
538-09-50-8101	09-50-8101	A	10	40.49	35.66	.43	.343	.301	.236
538-09-50-8111	09-50-8111	A	11	44.45	39.62	.52	.416	.364	.286
538-09-50-8121	09-50-8121	A	12	48.41	43.59	.65	.524	.458	.36

Rectangular Connectors Molex

.156" PCB RECEPTACLES

- Tin Plated

For quantities greater than listed, call for quote.

MOUSER STOCK NO.	Molex Part No.	Fig.	No. of Circuits	Dimensions: mm		Price Each			
				A	B	1	10	100	500
Bottom Entry									
538-09-52-3032	09-52-3032	B	3	11.79	7.92	.73	.663	.577	.461
538-09-52-3042	09-52-3042	B	4	15.75	11.89	.70	.635	.552	.441
538-09-52-3052	09-52-3052	B	5	19.71	15.85	1.29	1.16	1.00	.79
538-09-52-3062	09-52-3062	B	6	23.67	19.81	1.42	1.28	1.10	.873
538-09-52-3082	09-52-3082	B	8	31.60	27.74	1.69	1.52	1.31	1.03
538-09-52-3102	09-52-3102	B	10	39.52	35.66	2.44	2.19	1.89	1.49
Top Entry									
538-09-52-3033	09-52-3033	C	3	11.79	7.92	.43	.314	.271	.215
538-09-52-3043	09-52-3043	C	4	15.75	11.89	.49	.397	.347	.273
538-09-52-3053	09-52-3053	C	5	19.71	15.85	1.00	.909	.791	.632
538-09-52-3063	09-52-3063	C	6	23.67	19.81	.71	.647	.562	.45
538-09-52-3083	09-52-3083	C	8	31.60	27.74	1.10	.995	.865	.692
538-09-52-3093	09-52-3093	C	9	35.56	31.70	1.02	1.00	.877	.702

For quantities greater than listed, call for quote.

MOUSER STOCK NO.	Molex Part No.	Fig.	No. of Circuits	Dimensions: mm		Price Each			
				A	B	1	10	100	500
Top Entry (Cont.)									
538-09-52-3103	09-52-3103	C	10	39.52	35.66	1.20	1.08	.943	.754
538-09-52-3113	09-52-3113	C	11	43.48	39.62	1.29	1.24	1.03	.88
538-09-52-3123	09-52-3123	C	12	47.75	43.59	1.74	1.56	1.35	1.06
Side Entry									
538-09-52-3031	09-52-3031	D	3	11.79	7.92	.75	.60	.525	.412
538-09-52-3041	09-52-3041	D	4	15.75	11.89	.71	.648	.564	.451
538-09-52-3051	09-52-3051	D	5	19.71	15.85	.94	.85	.739	.591
538-09-52-3061	09-52-3061	D	6	23.67	19.81	1.13	1.02	.89	.712
538-09-52-3071	09-52-3071	D	7	27.64	23.77	1.38	.95	.91	.88
538-09-52-3081	09-52-3081	D	8	31.60	27.74	1.46	1.31	1.13	.898
538-09-52-3091	09-52-3091	D	9	35.56	31.70	1.57	1.55	1.52	1.20
538-09-52-3101	09-52-3101	D	10	39.52	35.66	1.83	1.64	1.42	1.12
538-09-52-3111	09-52-3111	D	11	43.48	39.62	1.29	1.24	1.03	.88
538-09-52-3121	09-52-3121	D	12	47.75	43.59	1.69	1.52	1.31	1.03

.156" CRIMP TERMINALS

- Temperature: Phosphor Bronze: 0°C to +75°C; Brass: 0°C to +50°C
- Current: 5.0A max. using 18AWG wire

*Use with 09-50-8xxxx only

For quantities greater than listed, call for quote.

MOUSER STOCK NO.	Molex Part No.	Fig.	Wire Range	Material	Plating	Price Each		
						1	100	500
538-08-50-0106	08-50-0106	E	18-20	Brass	Tin	.14	.09	.087
538-08-52-0072	08-52-0072	E	18-20	Phos. Bronze	Tin	.15	.093	.073
538-08-50-0108	08-50-0108	E	22-26	Brass	Tin	.14	.091	.087
538-08-50-0134	08-50-0134	E	22-26	Phos. Bronze	Tin	.14	.087	.084
538-08-56-0106	08-56-0106	E	18-20	Brass	Gold	.82	.65	.52
538-08-58-0122	08-58-0122	E	18-20	Phos. Bronze	Gold	.82	.65	.52
538-08-56-0108	08-56-0108	E	22-26	Brass	Gold	.82	.65	.52
538-08-58-0126	08-58-0126	E	22-26	Phos. Bronze	Gold	.82	.65	.52
538-08-52-0113	08-52-0113	F	18-20	Phos. Bronze	Tin	.15	.096	.088
538-08-50-0189	08-50-0189	F	18-20	Brass	Tin	.16	.099	.09
538-08-52-0125	08-52-0125	F	22-26	Phos. Bronze	Tin	.24	.167	.159
538-08-50-0185	08-50-0185	F	22-26	Brass	Tin	.13	.082	.079
538-08-56-0124	08-56-0124	F	22-26	Phos. Bronze	Gold	1.44	1.11	.882
* 538-45570-3050	45570-3050	G	18-20	Copper-Alloy	Tin	.16	.099	.077

POLARIZING KEYS AND PEGS

- Snap fit into housings
- RoHS compliant per Molex documentation



RoHS Compliant

For quantities greater than listed, call for quote.

MOUSER STOCK NO.	Molex Part No.	Description	Price Each		
			1	100	500
538-15-04-0219	15-04-0219	Key	.13	.07	.067
538-15-04-0220	15-04-0220	Peg	.14	.088	.084

DESIGNER/SERVICE KITS

- Includes: connectors, crimp tool, extraction tool, and storage case

For quantities greater than listed, call for quote.

MOUSER STOCK NO.	Molex Part No.	Description	Price Each
538-KK-156	KK-156	.156", 96 connectors	41.56

TOOLS

For quantities greater than listed, call for quote.