

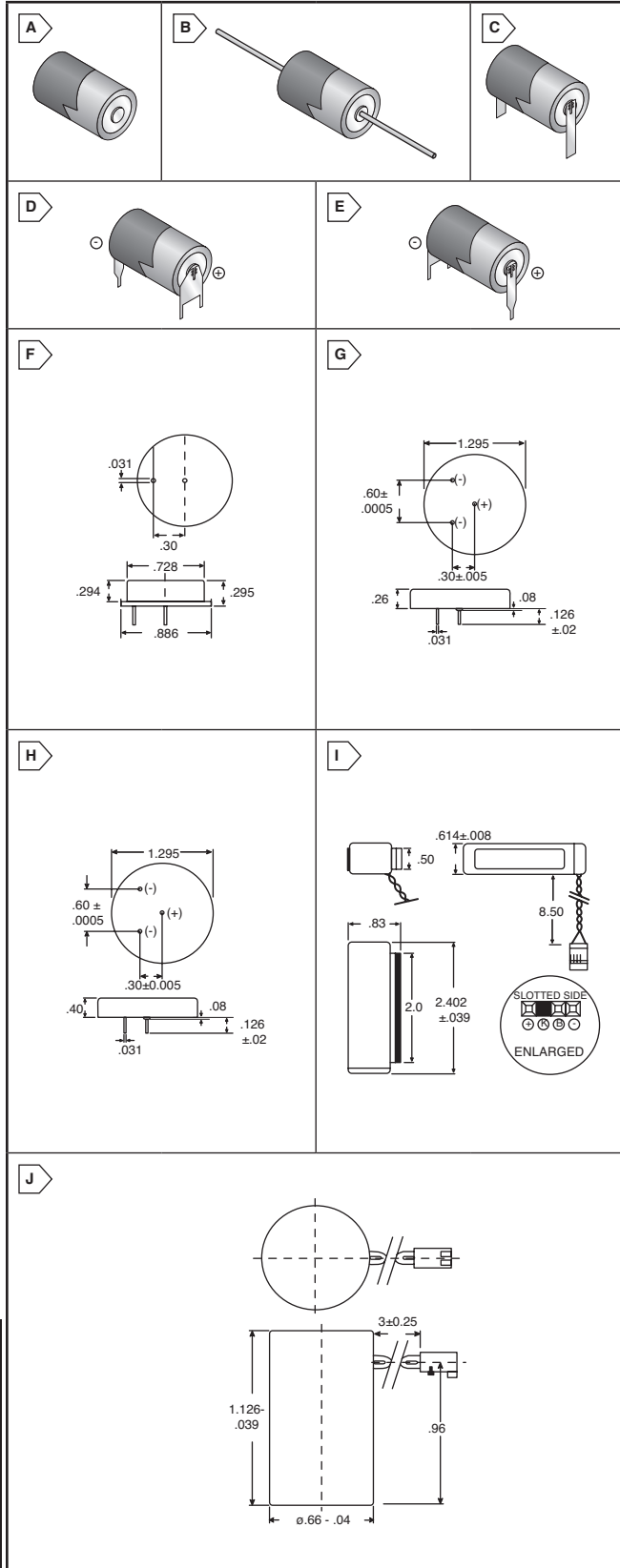
TADIRAN Lithium Batteries



Tadiran's Lithium Chloride chemistry offers the highest intrinsic negative potential, resulting in the highest specific energy and highest energy, outperforming all other competing chemistries.

- Long Shelf Life
- Higher Capacity
- Greater Energy Density
- Operating Temperature Range: -55°C~ -85°C

DIMENSIONS: in.



TADIRAN XTRA SERIES CYLINDRICAL CELLS

For quantities greater than listed, call for quote.

MOUSER STOCK NO.	Fig.	Size	Volts	Capacity (Ah)	Dimensions: in.	Price Each		
						1	10	50
Pressure Contacts								
667-TL2150S	A	1/2AA	3.6	.95	.57 x .99	5.58	5.26	4.94
667-TL2155S	A	2/3AA	3.6	1.45	.57 x 1.32	6.94	6.55	6.18
667-TL2100S	A	AA	3.6	2.1	.57 x 1.99	7.68	7.24	6.80
667-TL2200S	A	C	3.6	7.2	1.03 x 1.97	15.52	15.17	13.92
667-TL2300S	A	D	3.6	16.5	1.3 x 2.42	23.36	22.03	20.69
Axial Leads								
667-TL2150P	B	1/2AA	3.6	.95	.57 x .99	6.63	6.25	5.87
667-TL2155P	B	2/3AA	3.6	1.45	.57 x 1.32	7.51	7.08	6.65
667-TL2100P	B	AA	3.6	2.1	.57 x 1.99	7.97	7.50	7.04
Solder Tabs								
667-TL2150T	C	1/2AA	3.6	.95	.57 x .99	7.85	7.41	6.79
667-TL2155T	C	2/3AA	3.6	1.45	.57 x 1.32	7.23	6.81	6.40
667-TL2100T	C	AA	3.6	2.1	.57 x 1.99	7.94	7.29	7.08
667-TL2200T	C	C	3.6	7.2	1.03 x 1.97	20.91	19.72	18.52
667-TL2300T	C	D	3.6	16.5	1.3 x 2.42	24.06	22.69	21.31
Polarized Tabs (Two Pins on Positive End)								
667-TL2150PT	D	1/2AA	3.6	.95	.57 x .99	7.86	7.41	6.96
667-TL2155PT	D	2/3AA	3.6	1.45	.57 x 1.32	7.23	6.81	6.40
667-TL2100PT	D	AA	3.6	2.1	.57 x 1.99	8.73	8.23	7.73
Polarized Tabs (Two Pins on Negative End)								
667-TL2150TP	E	1/2AA	3.6	.95	.57 x .99	13.91	13.12	12.32
667-TL2155TP	E	2/3AA	3.6	1.45	.57 x 1.32	7.23	6.81	6.40
667-TL2100TP	E	AA	3.6	2.1	.57 x 1.99	8.43	7.95	7.46

TADIRAN XTRA SERIES HIGH CAPACITY CYLINDRICAL CELLS

For quantities greater than listed, call for quote.

MOUSER STOCK NO.	Fig.	Size	Volts	Capacity (Ah)	Dimensions: in.	Price Each		
						1	10	50
Pressure Contacts								
667-TL5902S	A	1/2AA	3.6	1.2	.57 x .99	7.33	6.91	6.49
667-TL5903S	A	AA	3.6	2.4	.57 x 1.99	8.73	8.23	7.73
667-TL5920S	A	C	3.6	8.5	1.03 x 1.97	18.01	16.98	15.95
667-TL5930S	A	D	3.6	19.0	1.3 x 2.42	27.75	26.19	24.63
Axial Leads								
667-TL5902P	B	1/2AA	3.6	1.2	.57 x .99	7.16	6.75	6.34
667-TL5955P	B	2/3AA	3.6	1.65	.57 x 1.32	8.56	8.07	7.58
667-TL5903P	B	AA	3.6	2.4	.57 x 1.99	8.55	7.92	6.90
Solder Tabs								
667-TL5902T	C	1/2AA	3.6	1.2	.57 x .99	7.68	7.24	6.80
667-TL5955T	C	2/3AA	3.6	1.65	.57 x 1.32	8.56	8.07	7.58
667-TL5903T	C	AA	3.6	2.4	.57 x 1.99	8.56	8.04	7.52
667-TL5920T	C	C	3.6	8.5	1.03 x 1.97	20.13	18.98	17.83
667-TL5930T	C	D	3.6	19.0	1.3 x 2.42	28.16	26.55	24.94
Polarized Tabs (Two Pins on Positive End)								
667-TL5902PT	D	1/2AA	3.6	1.2	.57 x .99	6.98	6.58	6.18
667-TL5955PT	D	2/3AA	3.6	1.65	.57 x 1.32	8.21	7.74	7.27
Polarized Tabs (Two Pins on Negative End)								
667-TL5955TP	E	2/3AA	3.6	1.65	.57 x 1.32	8.21	7.74	7.27
667-TL5903TP	E	AA	3.6	2.4	.57 x 1.99	9.45	8.91	8.36

TADIRAN MBU SERIES CYLINDRICAL CELLS

• Memory Backup

For quantities greater than listed, call for quote.

MOUSER STOCK NO.	Fig.	Size	Volts	Capacity (Ah)	Dimensions: in.	Price Each		
						1	10	50
Pressure Contacts								
667-TL5101S	A	1/2AA	3.6	.95	.57 x .99	5.63	5.21	4.85
667-TL5104S	A	AA	3.6	2.1	.57 x 1.99	6.74	6.35	6.16
Axial Leads								
667-TL5101P	B	1/2AA	3.6	.95	.57 x .99	5.88	5.54	5.21
667-TL5155P	B	2/3AA	3.6	1.45	.57 x 1.32	6.98	6.58	6.18
667-TL5104P	B	AA	3.6	2.1	.57 x 1.99	8.25	7.77	7.29
Solder Tabs								
667-TL5101T	C	1/2AA	3.6	.95	.57 x .99	6.50	5.80	5.62
667-TL5104T	C	AA	3.6	2.1	.57 x 1.99	7.16	6.75	6.34

TADIRAN MBU SERIES WAFER CELLS

• Memory Backup

For quantities greater than listed, call for quote.

MOUSER STOCK NO.	Fig.	Size	Volts	Capacity (Ah)	Dimensions: in.	Price Each		
						1	10	50
667-TL5186P	F	BEL	3.6	.4	.89 x .27	6.30	5.94	5.58
667-TL5134	G	1/10D	3.6	1.0	1.3 x .26	9.26	8.73	8.20
667-TL5135	H	1/6D	3.6	1.7	1.3 x .39	12.23	11.53	10.83

TADIRAN BATTERY PACKS

• Memory Backup

For quantities greater than listed, call for quote.

MOUSER STOCK NO.	Fig.	Volts	Capacity (Ah)	Dimensions: in.	Price Each		
					1	10	50
667-TL5242W	J	3.6	2.1	.61 x .76 x 2.41	12.06	11.19	10.79
667-TL5276W	J	3.6	.95	ø.66 x 1.13	9.63	9.08	8.53