

Product Change Notice

Date:	September 17, 2019
Overview:	A change has been made to the terminal box for 94 frame AC motors
Reason for Change:	Improved design due to updated tooling
Affected Part No(s):	Ø400 mm radial fans and Ø400 to Ø500 mm axial fans using an AC motor (1-phase / 3-phase) in size 94 (exact PNs listed on last page of this notice)
Design Change Detail:	The new terminal boxes are more robust and have an improved sealing system - the bottom part of the terminal box now has integrated sealing which eliminates the need for an O-ring. The overall height of the terminal box remains the same.
Effective Date:	Running change, effective immediately
Last Time Buy Deadline:	N/A
Pricing:	No change
ebm-papst employee:	Jeannine Zenobi
Attachments:	<ul style="list-style-type: none"> Detailed comparisons, original vs new design List of specific PNs affected by this change
Comments:	110 and 138 frame motors are also impacted (please see separate PCNs)

Form No: 1274	Quality Record - No	Page 1 of 1
Rev. – Orig, Released 08/28/14	Retention Period – 1 year	Dept. Owner – Sales/Marketing

Terminal Box Comparisons

AC Motor Size 94

ebmpapst

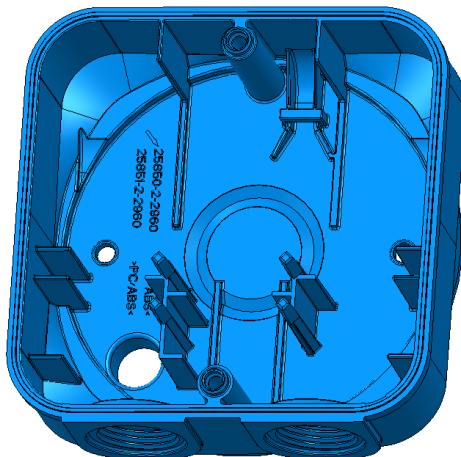
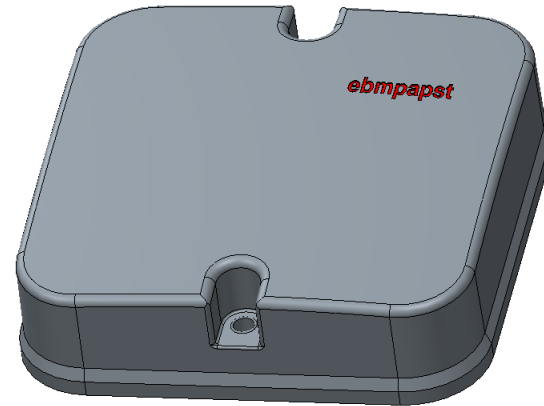
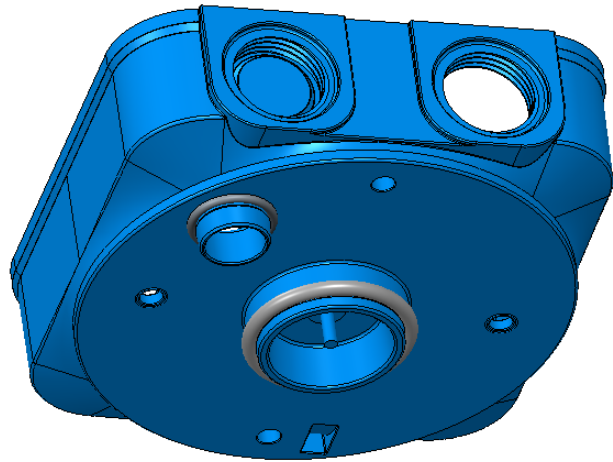
the engineer's choice



Original Terminal Box

ebmpapst

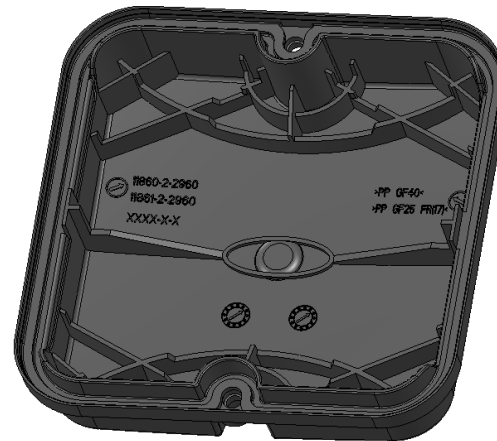
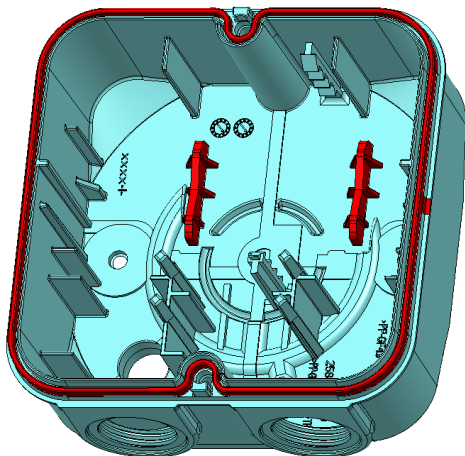
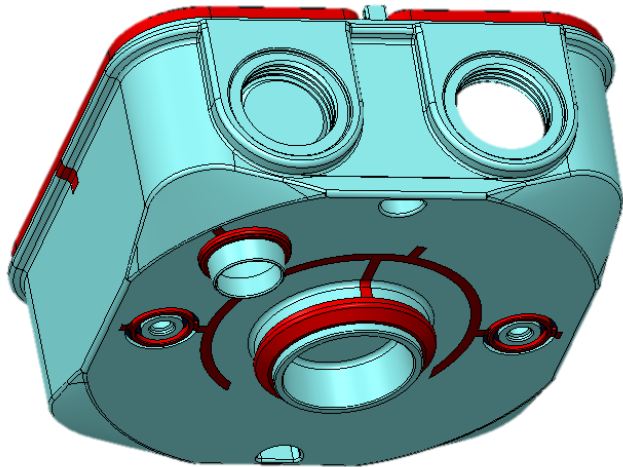
the engineer's choice



New Terminal Box

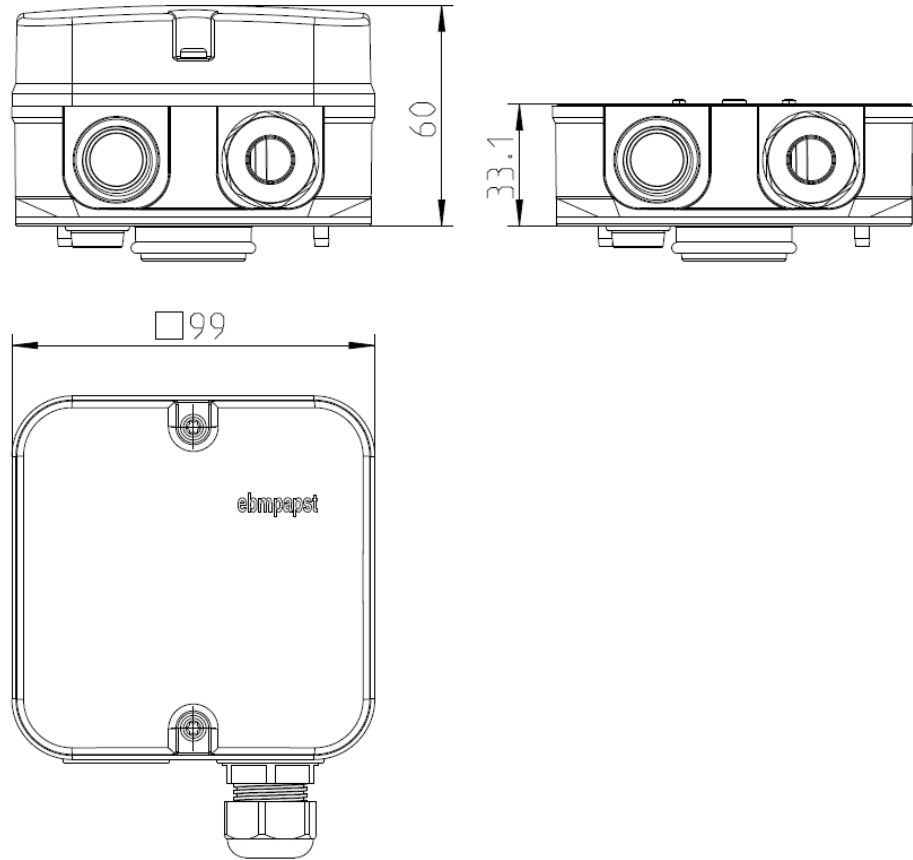
ebmpapst

the engineer's choice

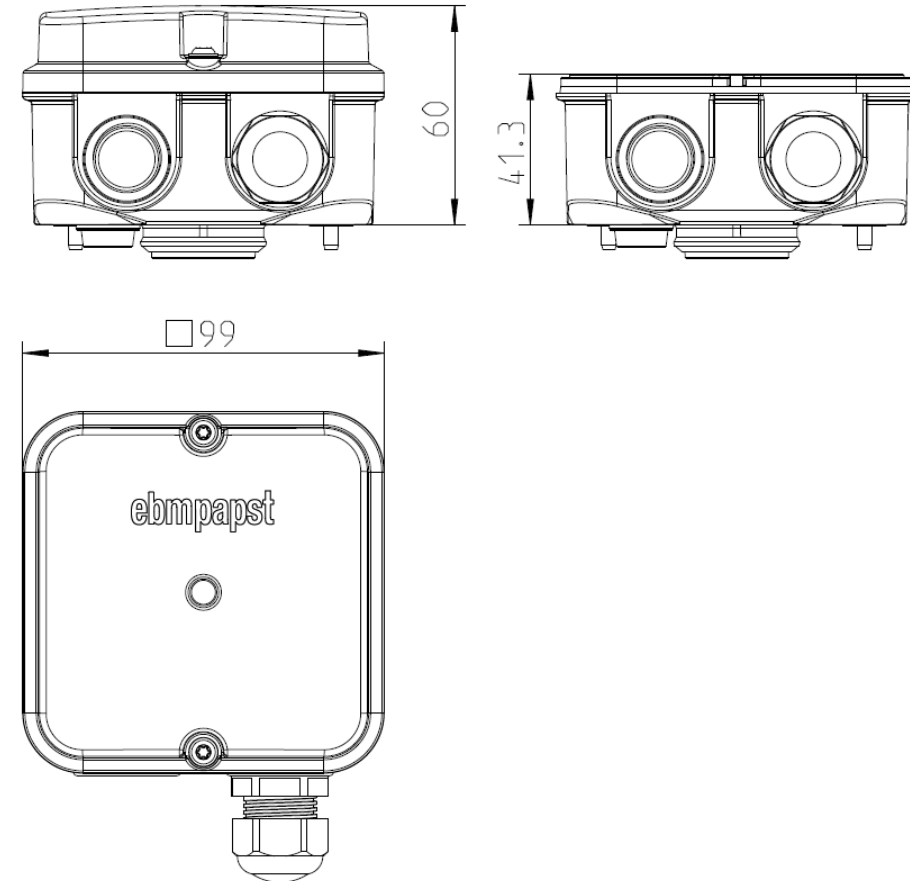


Comparison of Terminal Boxes

Measurements



Original Terminal Box



New Terminal Box

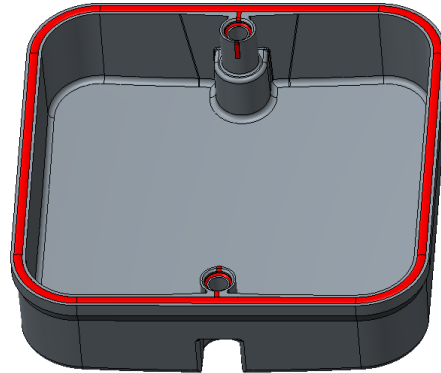
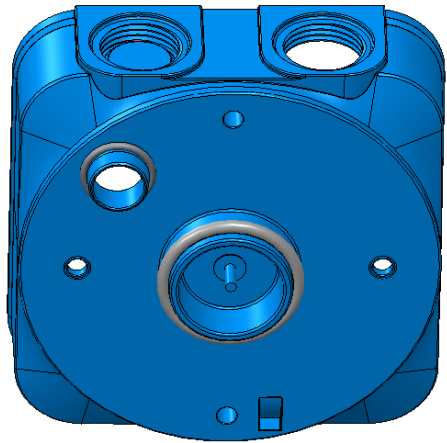
Comparison of Terminal Boxes

Improved sealing system

the engineer's choice

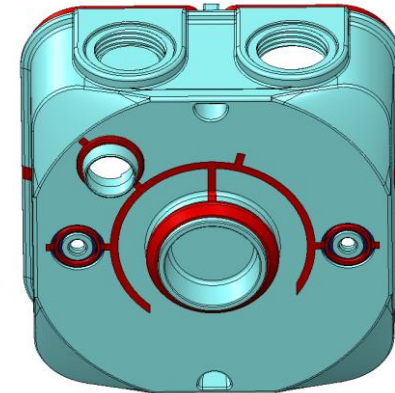
Original

New

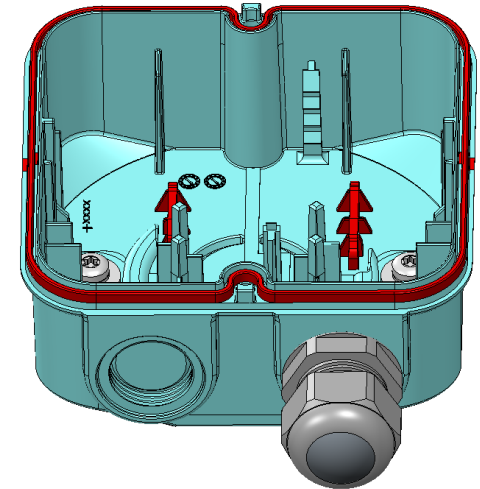


O-rings

Sealing in terminal box
(cover)



2K-sealing
(similar to sizes 110 and 138)

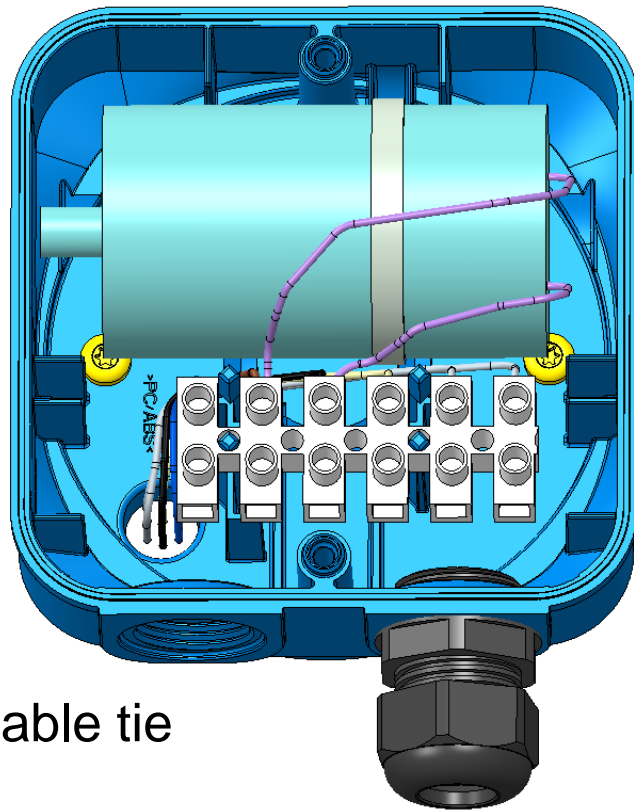


Improved sealing
(bottom)

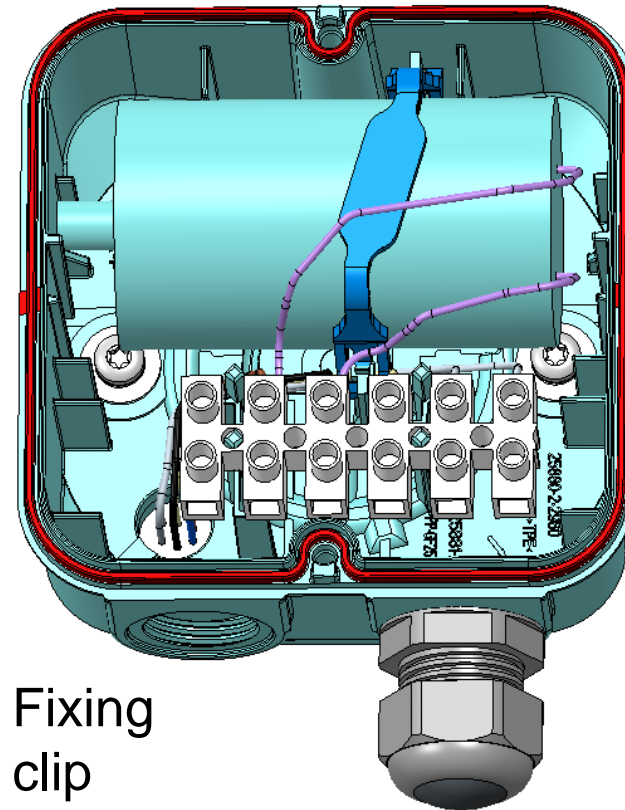
Comparison of Terminal Boxes

Capacitor fixation inside bottom of terminal box (1~ fans)

the engineer's choice



Cable tie



Fixing clip

Thank you.

ebmpapst

the engineer's choice



94 Frame AC Motor Terminal Box Change - Affected PNs

A4D420-AU02-01	S4D420-AU02-03	S4E420-AU03-20	W4D450-CO14-01
A4D420-AU02-02	S4D420-AU02-04	S4E420-BU01-05	W4D450-CO14-02
A4D450-AN14-01	S4D420-AU02-44	S4E420-BU03-30	W4D450-CO14-12
A4D450-AN14-02	S4D420-AU06-43	S4E420-BU03-31	W4D450-CO14-70
A4D450-AN14-06	S4D420-BU02-30	S4E420-BU03-36	W4D450-CU01-01
A4D450-AO10-03	S4D420-BU02-31	S4E450-AN05-01	W4D450-CU01-02
A4D450-AO14-01	S4D450-AL10-92	S4E450-AN05-02	W4D450-DN14-02
A4D450-AO14-02	S4D450-AN12-76	S4E450-AO09-01	W4D450-DO10-11
A4D450-AO14-10	S4D450-AN14-01	S4E450-AO09-02	W4D450-DO10-14
A4D450-AO14-12	S4D450-AN14-02	S4E450-AO09-72	W4D450-DO14-01
A4D450-AO14-43	S4D450-AN14-72	S4E450-AO09-75	W4D450-DO14-02
A4D450-AU01-01	S4D450-AN14-73	S4E450-AO09-76	W4D450-DU01-06
A4D450-AU01-02	S4D450-AO14-01	S4E450-AO09-77	W4D450-DU05-07
A4D450-AU01-06	S4D450-AO14-02	S4E450-AU03-01	W4D450-GO10-13
A4D450-BA14-01	S4D450-AO14-78	S4E450-AU03-02	W4D450-GO10-14
A4D450-BA14-02	S4D450-AO14-79	S4E450-AU03-37	W4D450-GO14-12
A4D450-BA18-42	S4D450-AO14-90	S4E450-AU03-38	W4D450-GO14-15
A4D450-BB12-33	S4D450-AO18-74	S4E450-BN05-01	W4D450-HA14-10
A4D450-BB14-34	S4D450-AU01-01	S4E450-BO09-01	W4D450-JA18-42
A4D450-BG14-51	S4D450-AU01-02	S4E450-BO09-02	W4D450-JB12-33
A4D450-BG14-53	S4D450-AU07-37	S4E450-BU03-01	W4D450-JB14-34
A4E420-AU03-01	S4D450-BO10-73	S4E450-BU03-02	W4D450-JO14-43
A4E420-AU03-02	S4D450-BO14-01	S4E450-CO09-09	W4D450-KA10-08
A4E450-AN05-01	S4D450-BO14-02	S4E450-GA09-01	W4D500-DY14-02
A4E450-AO09-01	S4D450-BO14-74	S4E450-GA09-10	W4E400-GU09-05
A4E450-AO09-02	S4D450-BU01-01	S4E450-GA09-20	W4E420-CU03-30
A4E450-AU03-01	S4D450-BU01-02	S4E450-GA11-23	W4E420-CU03-31
A4E450-AU03-02	S4D450-GA14-01	S4E500-AY09-01	W4E450-CN05-01
A4E450-BA09-01	S4D450-GA14-02	S4E500-AZ02-20	W4E450-CO09-01
A4E450-BA09-42	S4D450-GA14-20	S4E500-AZ09-02	W4E450-CO09-02
A4E500-AY09-05	S4D450-GA14-22	S6E450-AC28-84	W4E450-CO09-65
A6E450-AN06-20	S4D450-GA18-17	S6E450-AU04-01	W4E450-CO15-64
A6E450-AN06-21	S4D450-GA20-13	S6E450-AU04-02	W4E450-CO15-66
A6E450-AU04-01	S4D450-GA20-18	S6E450-BU04-01	W4E450-CU03-01
A6E450-AU04-02	S4D450-GB12-09	S6E450-BU04-02	W4E450-CU03-02
A6E450-AU04-07	S4D500-AY14-01	S6E500-GB05-06	W4E450-DN05-22
M4E094-FA05-11	S4E400-AM03-80	S6E500-GB05-09	W4E450-DO09-13
R4D400-AD22-09	S4E400-AM03-84	S6E500-HB05-05	W4E450-DO09-21
R4D400-RO22-06	S4E400-AM03-89	W4D400-DN14-05	W4E450-DU03-06
R4E400-RO09-06	S4E420-AU01-13	W4D400-GN14-10	W4E450-JA09-42
S4D400-AM02-20	S4E420-AU01-14	W4D420-CU02-29	W4E500-DY09-02
S4D400-AN12-17	S4E420-AU03-03	W4D420-CU02-30	W6E450-CU04-01
S4D400-AN14-16	S4E420-AU03-04	W4D420-CU02-31	W6E450-CU04-02