

# Terminal Box Comparisons

## AC Motor Size 94

**ebmpapst**

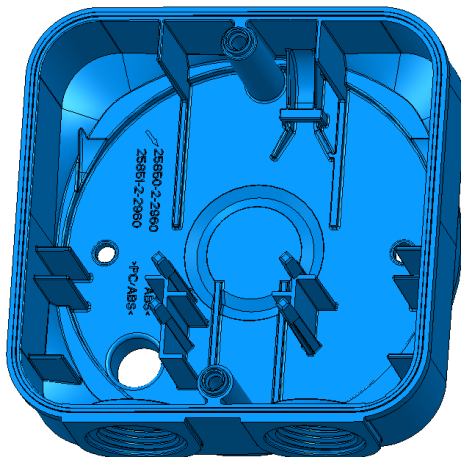
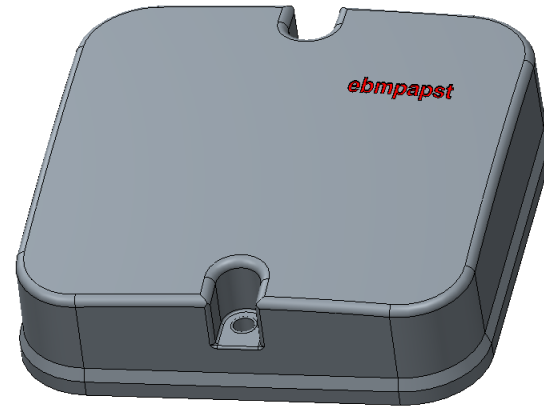
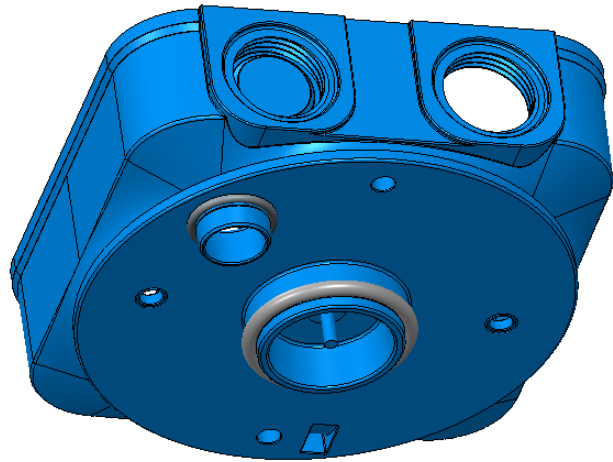
the engineer's choice



# Original Terminal Box

**ebmpapst**

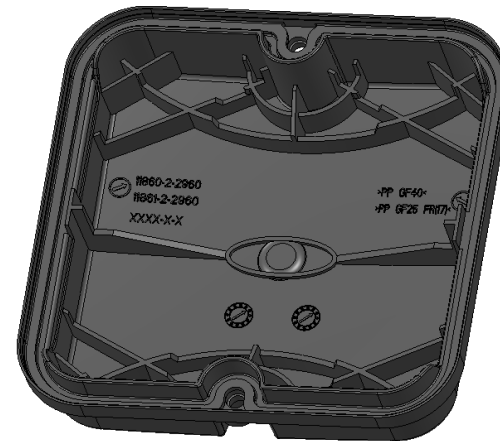
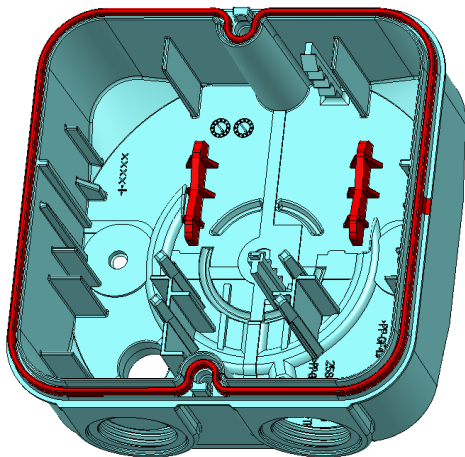
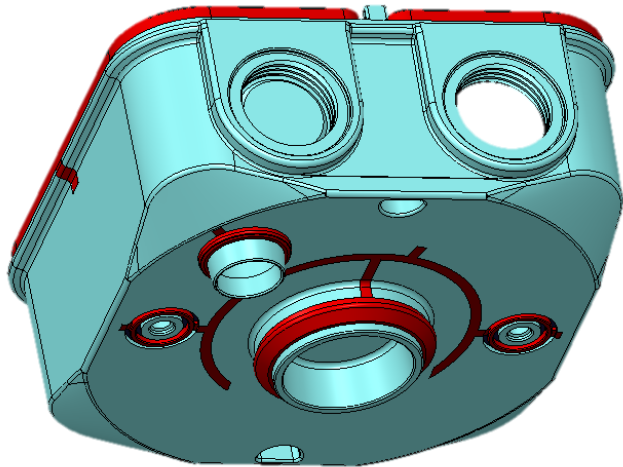
the engineer's choice



# New Terminal Box

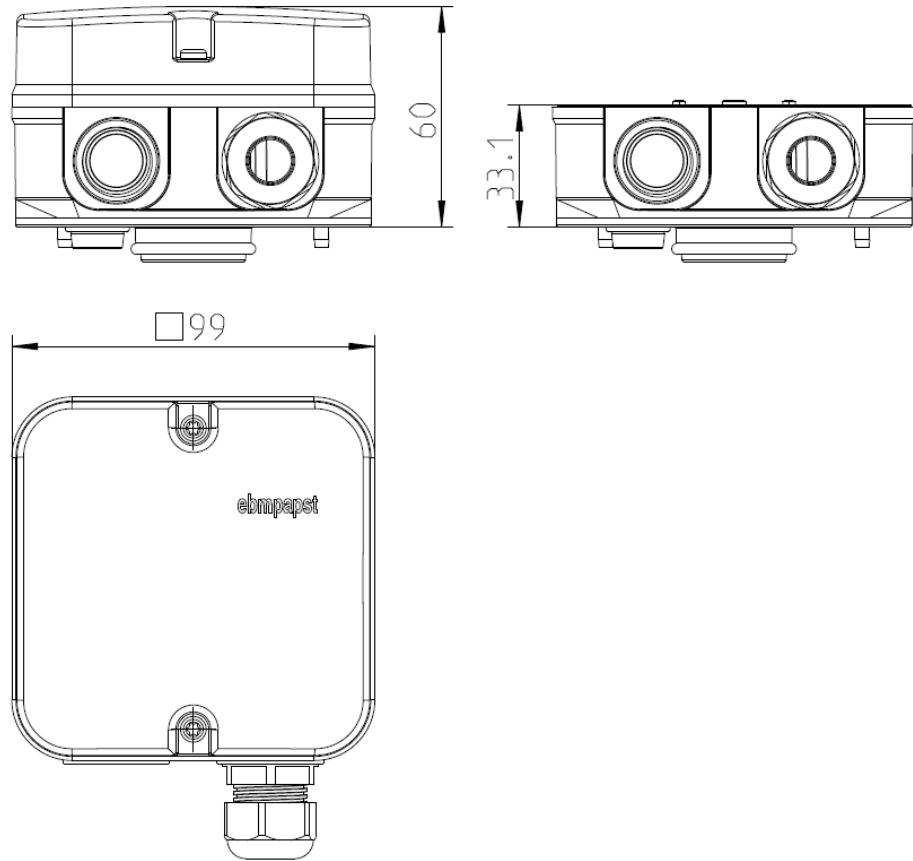
**ebmpapst**

the engineer's choice

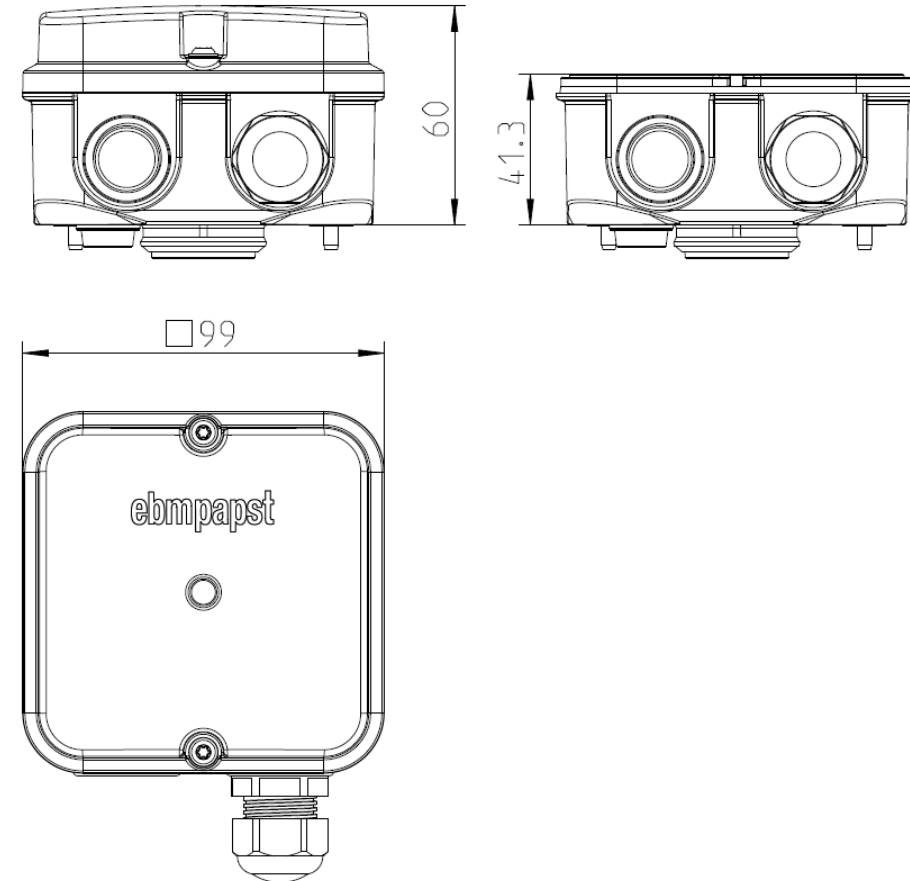


# Comparison of Terminal Boxes

## Measurements



Original Terminal Box



New Terminal Box

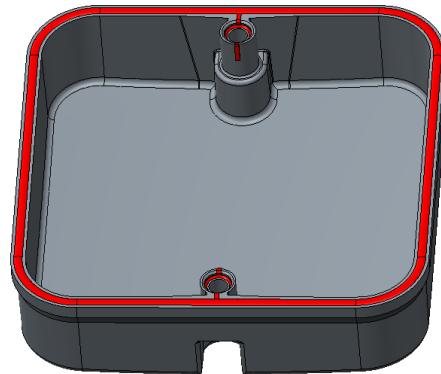
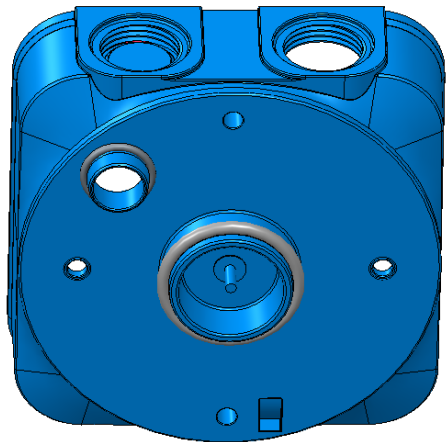
# Comparison of Terminal Boxes

Improved sealing system

the engineer's choice

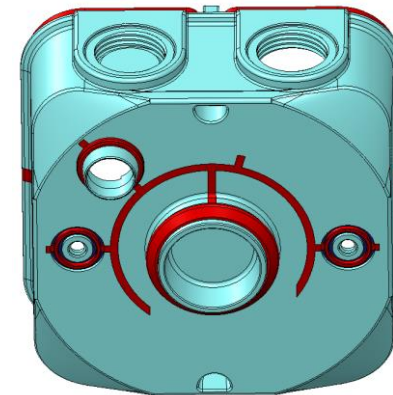
Original

New

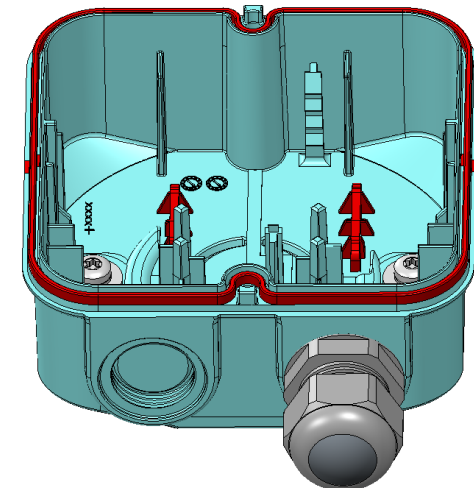


O-rings

Sealing in terminal box  
(cover)



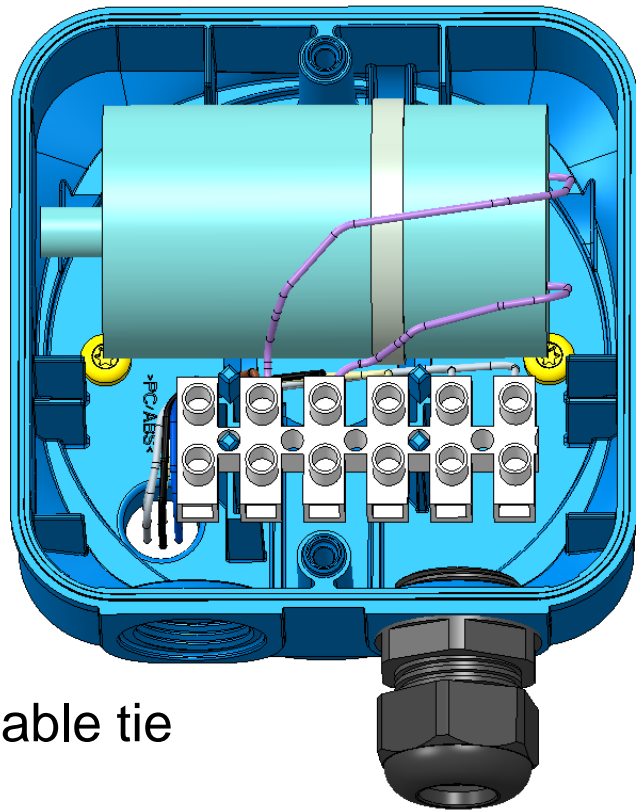
2K-sealing  
(similar to sizes 110 and 138)



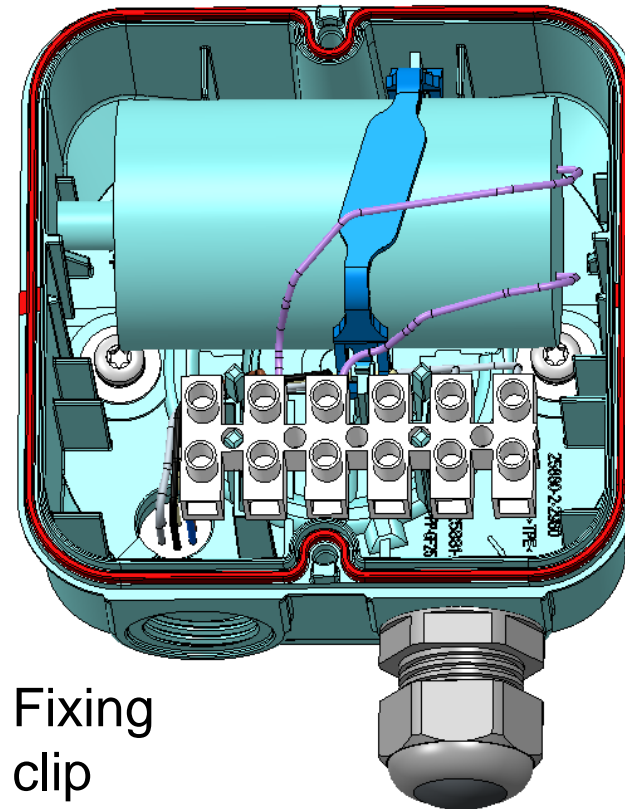
Improved sealing  
(bottom)

# Comparison of Terminal Boxes

Capacitor fixation inside bottom of terminal box (1~ fans)



Cable tie



Fixing clip

Thank you.

**ebmpapst**

the engineer's choice

