

# Terminal Box Comparisons

## AC Motor Size 138

**ebmpapst**

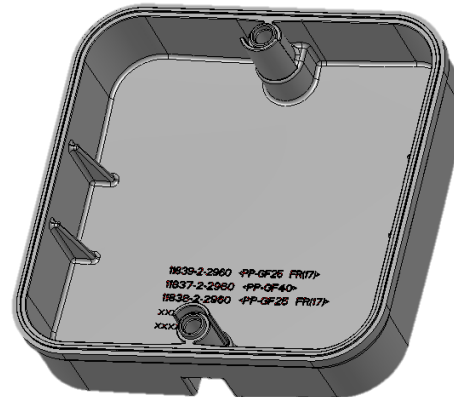
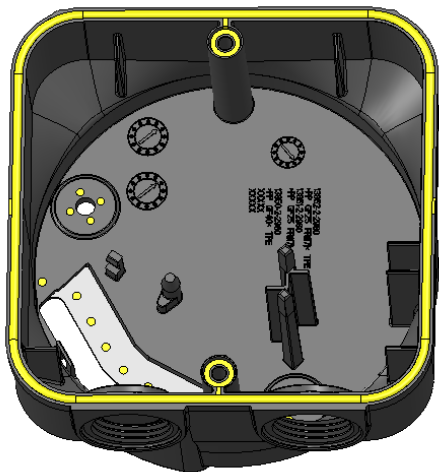
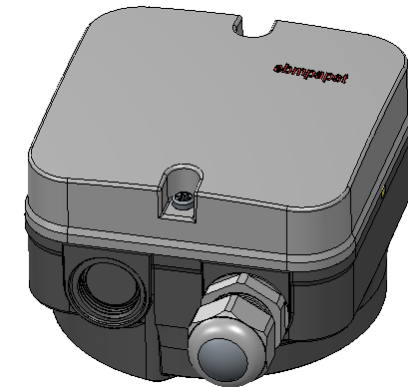
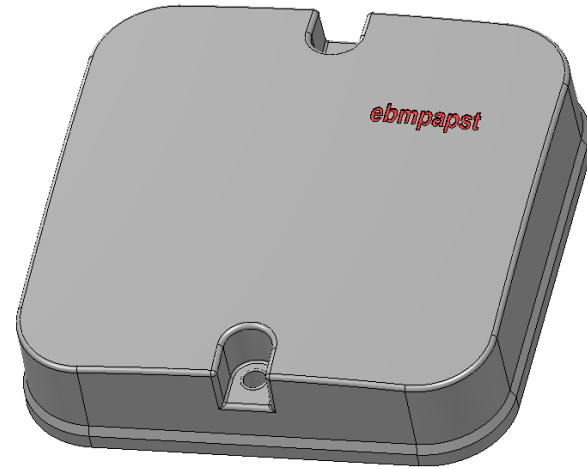
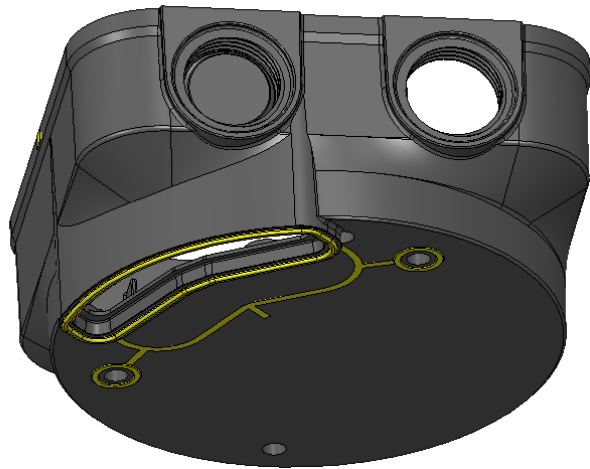
the engineer's choice



# Original Terminal Box

**ebmpapst**

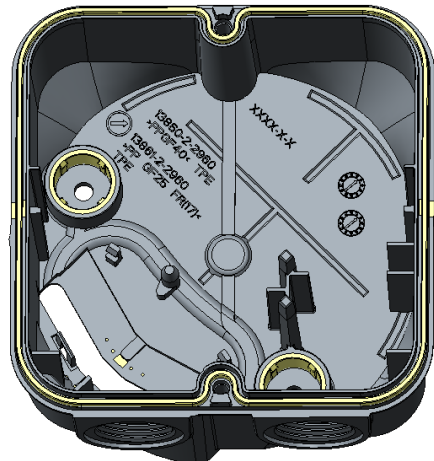
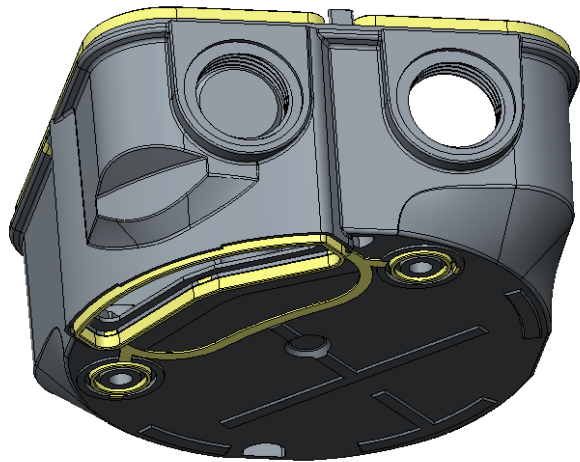
the engineer's choice



# New Terminal Box

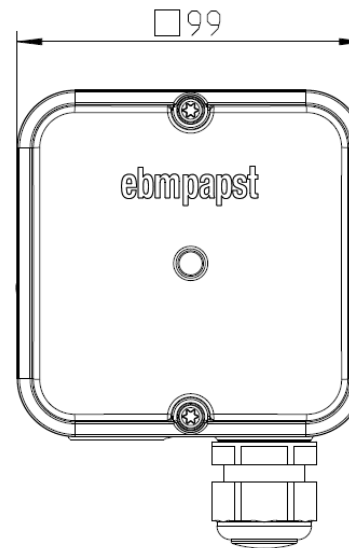
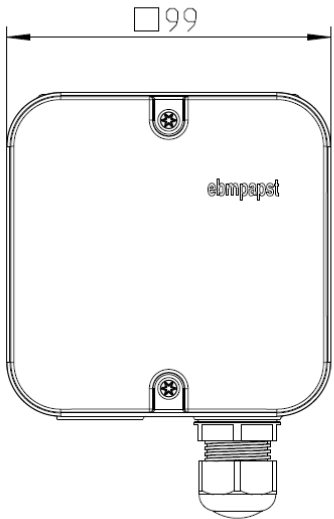
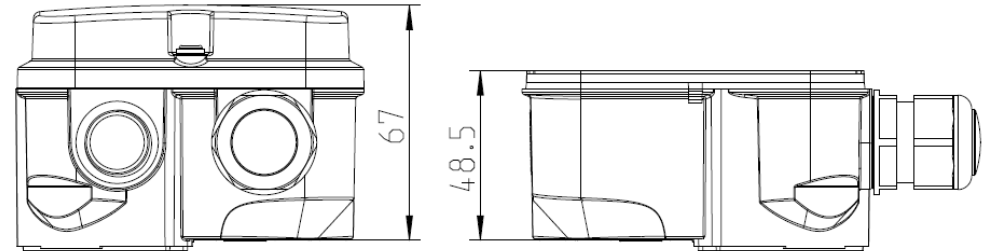
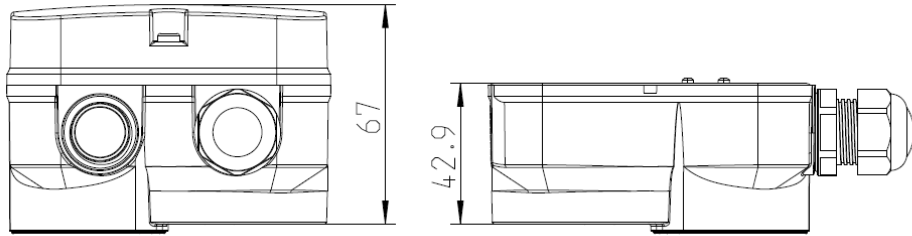
**ebmpapst**

the engineer's choice



# Comparision of Terminal Boxes

## Measurements



Original Terminal Box

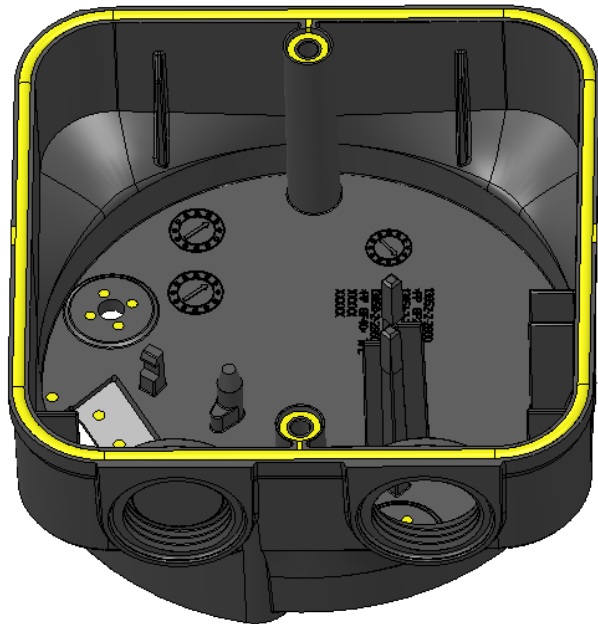
New Terminal Box

# Comparision of Terminal Boxes

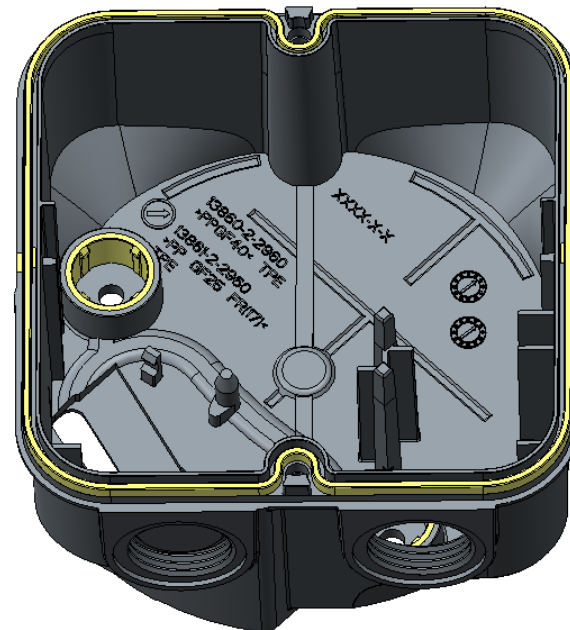
Improved sealing system

the engineer's choice

Original



New



Improved sealing (bottom)

Thank you.

**ebmpapst**

the engineer's choice

