

# Terminal Box Comparisons

## AC Motor Size 110

**ebmpapst**

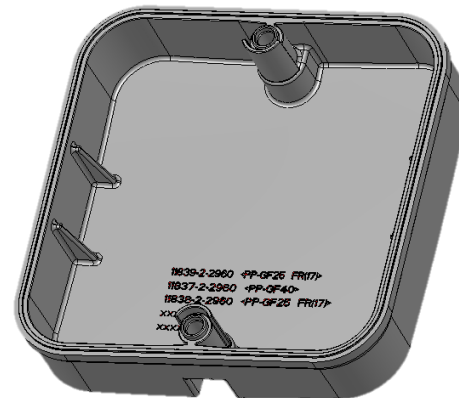
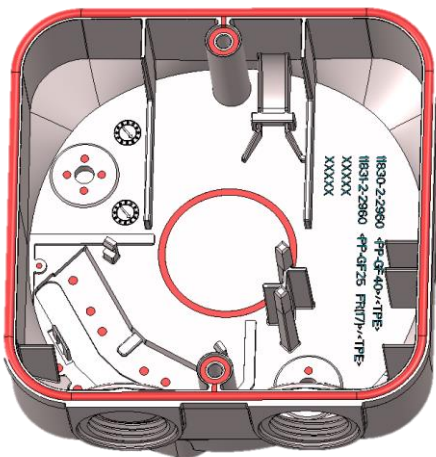
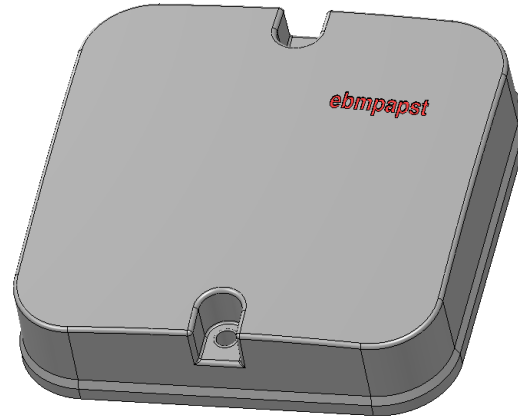
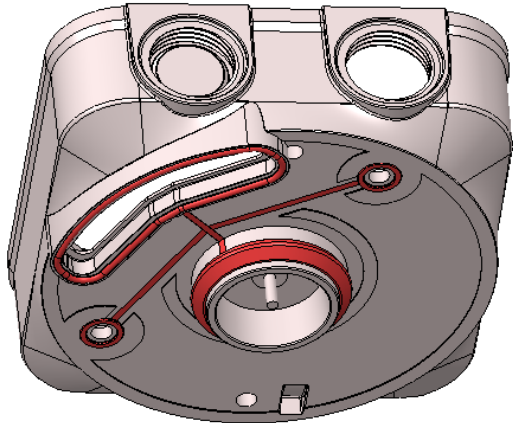
the engineer's choice



# Original Terminal Box

**ebmpapst**

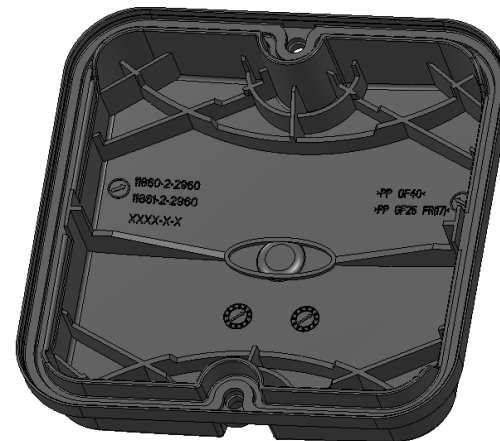
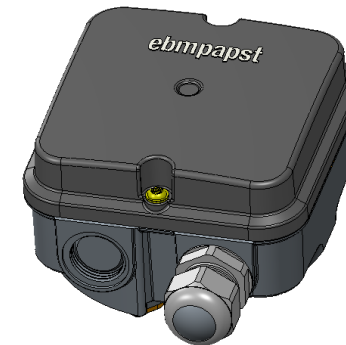
the engineer's choice



# New Terminal Box

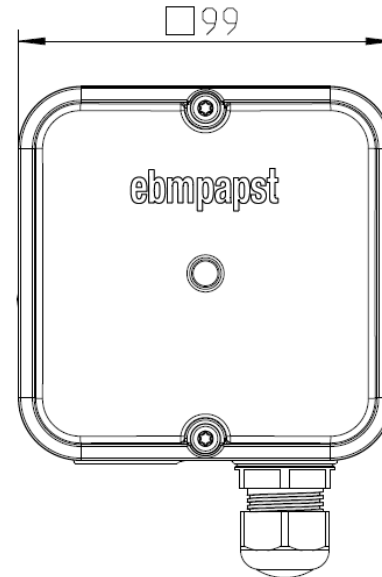
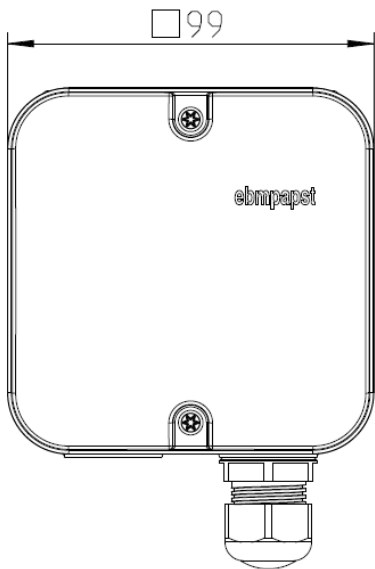
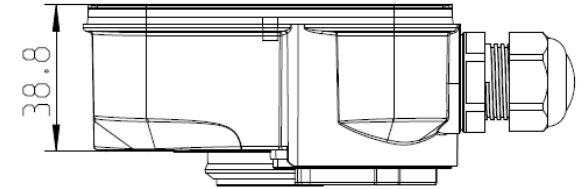
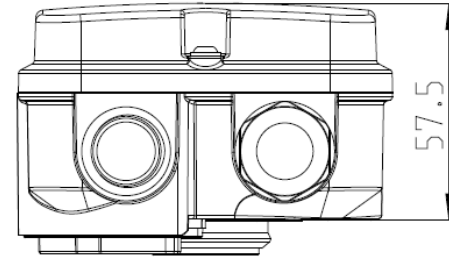
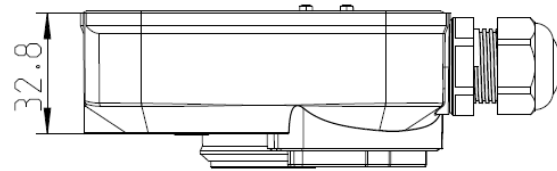
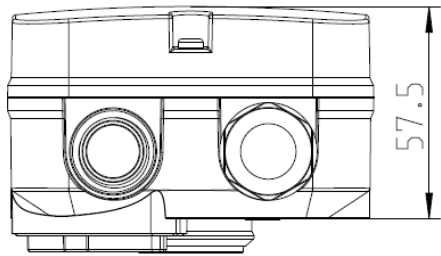
**ebmpapst**

the engineer's choice



# Comparison of Terminal Boxes

## Measurements



Original Terminal Box

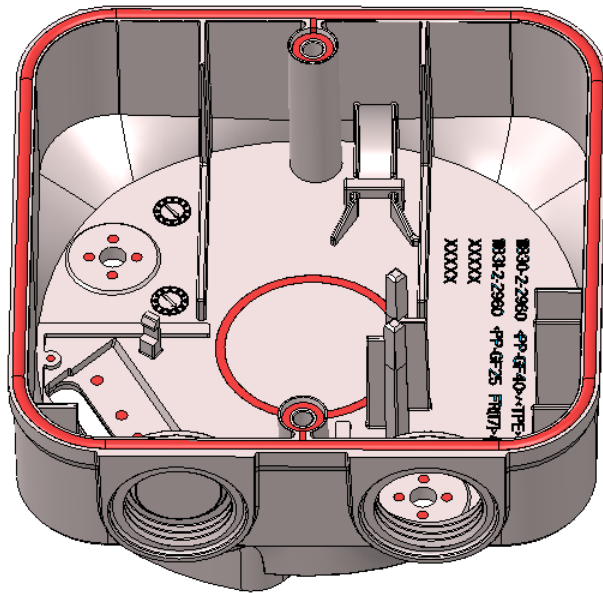
New Terminal Box

# Comparison of Terminal Boxes

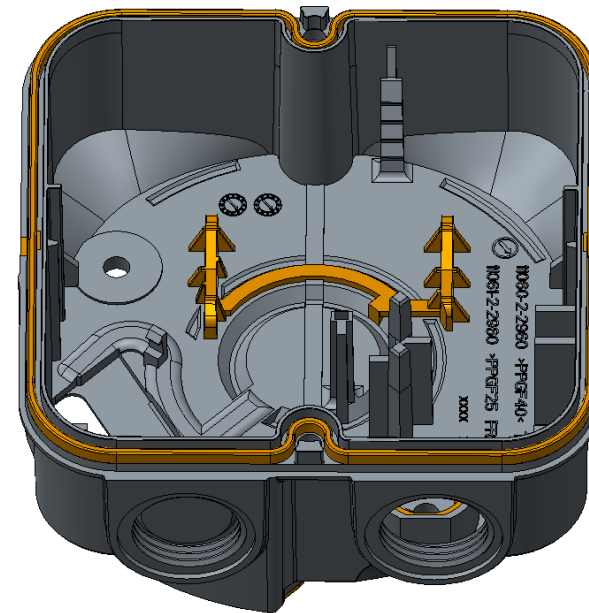
Improved sealing system

the engineer's choice

Original



New

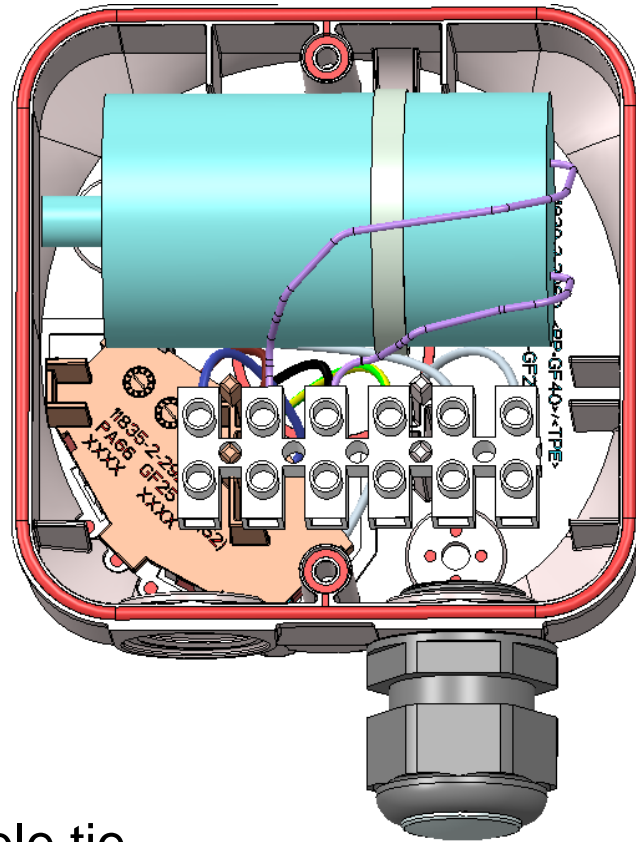


Improved Sealing Contour  
(bottom)

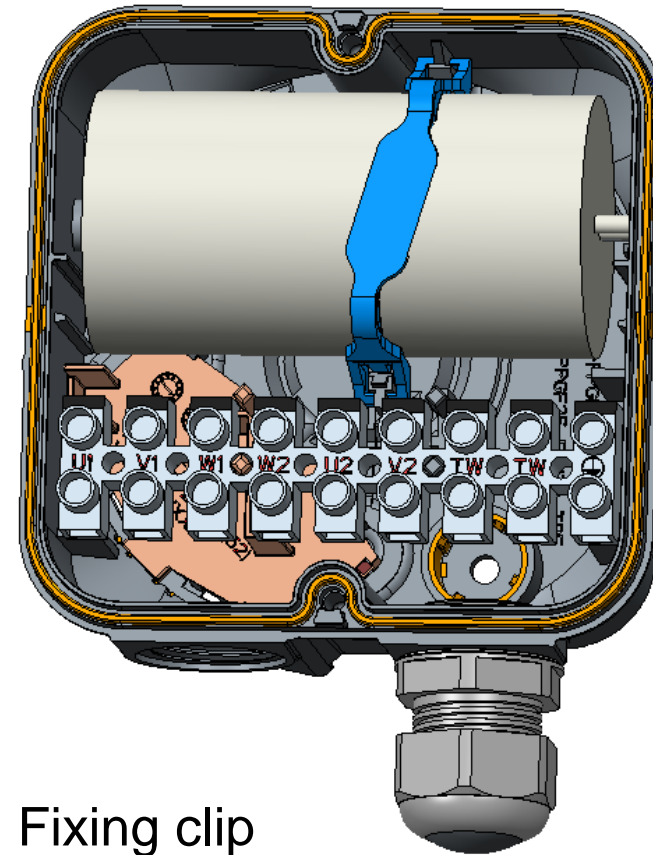
# Comparison of Terminal Boxes

Capacitor fixation inside bottom of terminal box (1~ fans)

the engineer's choice



Cable tie



Fixing clip

Thank you.

**ebmpapst**

the engineer's choice

